

# AF 206

## Self Contained Ice Machine up to 200 kg

Item #:
Project:
Quantity:



### FEATURES

- Agion: the technology that makes products cleaner and longer lasting with built-in protection working 24/7 to resist the growth of microbes and the development of unpleasant odors.
- Clean alert: advises with a blink when it's time to clean the filter.
- Electronic control: ambient and water temperatures may change throughout the years but your ice maker will stay the same.
- Front access condenser air filter: a do-it-yourself cleaning operation that saves time and money and makes your ice maker live longer.
- Water in / ice out concept (no cycles, zero water wastage): limits to almost zero excess energy, water and time wastage.
- Ergonomic access to ice with sliding disappearing door: one-touch door lift, makes barman's life significantly easier.
- Built-in storage bin: allows most undercounter installations for easier fit-in solutions.



AF 206  
Flake ice  
Residual water content 25%

### CONDENSING SYSTEM

Air cooled  
Water cooled

### INTERNAL BIN CAPACITY

60 kg

### REFRIGERANT GAS

R404A

### OPERATING REQUIREMENTS

	Minimum	Maximum
Air temperature	10°C	43°C
Water temperature	5°C	38°C
Water pressure	1 bar (14 psi)	5 bar (70 psi)
Electrical voltage	-10%	+10%

### VOLTAGE V/Hz/ph

230/50/1  
230/60/1

### Certifications:



**IMPORTANT NOTICE:**  
Models and specifications are subject to change without notice. This spec sheet is meant for commercial purpose only. For technical documentation please refer to our service manuals.

Download our free App Scotsman Ice  
Apple store  
Google play  
Windows store



[www.scotsman-ice.it](http://www.scotsman-ice.it)  
[www.scotsman-ice.com](http://www.scotsman-ice.com)

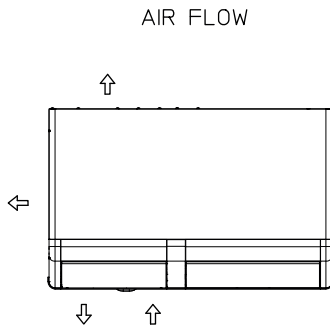
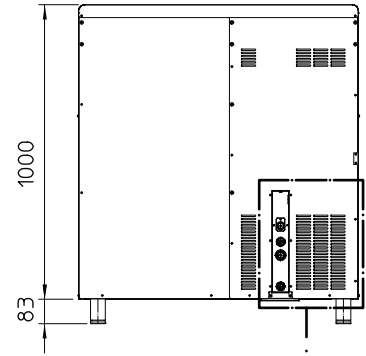
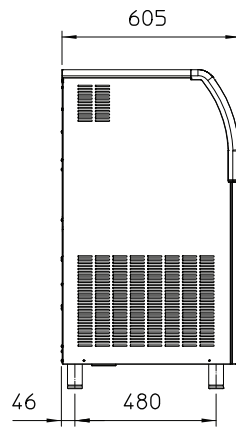
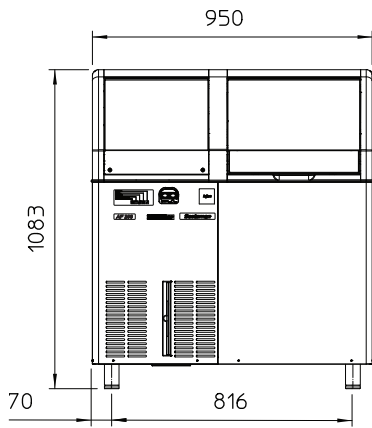
Self Contained Ice Machine up to 200 kg

# AF 206

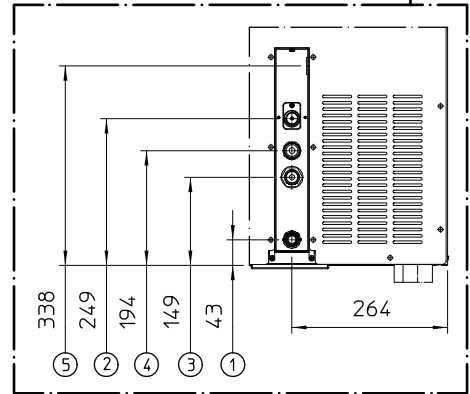
Self Contained Ice Machine up to 200 kg

Item #:
Project:
Quantity:

Self Contained Ice Machine up to 200 kg



- UNIT OF MEASUREMENT: mm
1. 25/32" - OVERFLOW DRAIN
  2. 3/4" GAS - WATER INLET
  3. 3/4" GAS - WATER OUTLET WATER COOLED UNIT ONLY
  4. 3/4" GAS - WATER INLET WATER COOLED UNIT ONLY
  5. CORD SET



UNIT DATA			Compressor		Circuit wires		Max. fuse size		
			Version	Voltage	Btu/h	W	No.	Ømm <sup>2</sup>	A
Size (W x D x H)	950 x 605 x 1083 mm		AF 206 AS	230/50/1	6039	1770	3	1.5	10
Net weight	77 kg		AF 206 WS	230/50/1	6039	1770	3	1.5	10
SHIPPING DATA			AF 206 AS	230/60/1	6039	1770	3	1.5	10
			AF 206 WS	230/60/1	6039	1770	3	1.5	10
Carton (W x D x H)	1030 x 680 x 1170 mm								
Weight	90 kg								
			24 h ice production kg °C Amb. / °C Water			Energy consumption*		Water usage*	Instant power
Version	Condensation	Voltage	10°C/10°C	21°C/10°C	32°C/21°C	kWh/100 kg	kWh/24h	l/h	W
AF 206 AS	Air	230/50/1	200	192	150	12.3	18.4	6.3	830
AF 206 WS	Water	230/50/1	200	197	175	8.6	15.0	85.4	630
AF 206 AS	Air	230/60/1	200	192	150	12.3	18.4	6.3	830
AF 206 WS	Water	230/60/1	200	197	175	8.6	15.0	85.4	630

(\*) Data refer to 32°C Amb. / 21°C Water temperature conditions