

AC 107

Self Contained Ice Machine up to 53 kg

Item #:
Project:
Quantity:



FEATURES

- Produces individual Gourmet crystal clear ice cubes.
- Resistant stainless steel exterior. Simple and reliable electromechanic controls.
- Front panel in and out airflow (air-cooled model only) for built-in installation.
- Routine maintenance visible alarm light on front panel.
- Ergonomically designed ice-storage access, with disappearing door. Door-closing movement dampening system.
- Water system protected by patented anti-scale system.



AC M 107
Medium Gourmet 20 g
Ø 30 x H 34 mm

CONDENSING SYSTEM

Air cooled

INTERNAL BIN CAPACITY

23 kg

REFRIGERANT GAS

R290

OPERATING REQUIREMENTS

	Minimum	Maximum
Air temperature	10°C	43°C
Water temperature	5°C	38°C
Water pressure	1 bar (14 psi)	5 bar (70 psi)
Electrical voltage	-10%	+10%

VOLTAGE V/Hz/ph

230/50/1

Certifications:



IMPORTANT NOTICE:
Models and specifications are subject to change without notice. This spec sheet is meant for commercial purpose only. For technical documentation please refer to our service manuals.

Download our free App Scotsman Ice
Apple store
Google play
Windows store



www.scotsman-ice.it
www.scotsman-ice.com

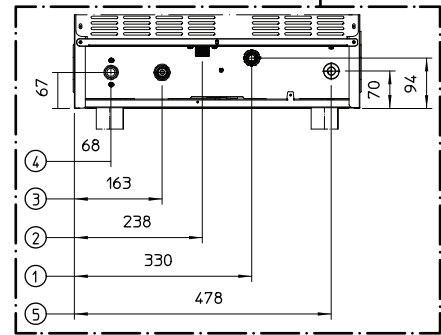
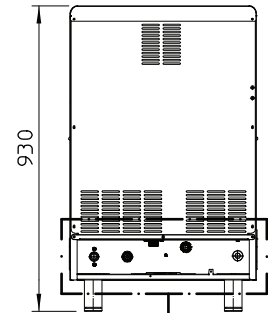
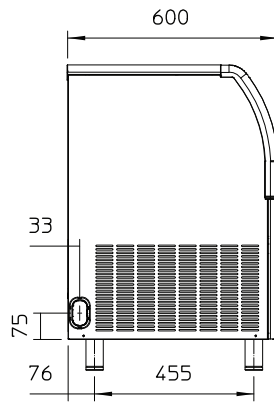
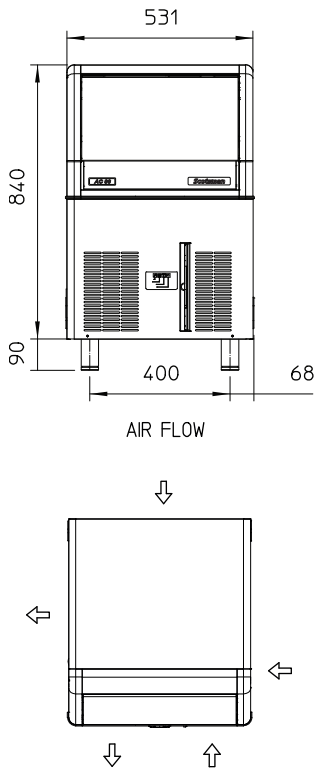
Self Contained Ice Machine up to 53 kg

AC 107 EcoX

Self Contained Ice Machine up to 53 kg

Item #:
Project:
Quantity:

Self Contained Ice Machine up to 53 kg



- UNIT OF MEASUREMENT: mm
- 25/32" OD - OVERFLOW DRAIN
 - 3/4" GAS - WATER INLET
 - 3/4" GAS - WATER OUTLET
WATER COOLED UNIT ONLY
 - 3/4" GAS - WATER INLET
WATER COOLED UNIT ONLY
 - CORD SET

UNIT DATA		Compressor		Circuit wires		Max. fuse size		
		Version	Voltage	Btu/h	W	No.	Ømm ²	A
Size (W x D x H)	531 x 600 x 930 mm	AC M 107 AS	230/50/1	4146	1215	3	1.5	10
Net weight	47 kg							
SHIPPING DATA								
Carton (W x D x H)	600 x 670 x 950 mm							
Weight	54 kg							

Version	Condensation	Voltage	24 h ice production kg °C Amb. / °C Water			Energy consumption*		Water usage*	Instant power
			10°C/10°C	21°C/10°C	32°C/21°C	kWh/100 kg	kWh/24h	l/h	W
AC M 107 AS	Air	230/50/1	53	51	43	24.9	10.7	5.2	580

(*) Data refer to 32°C Amb. / 21°C Water temperature conditions