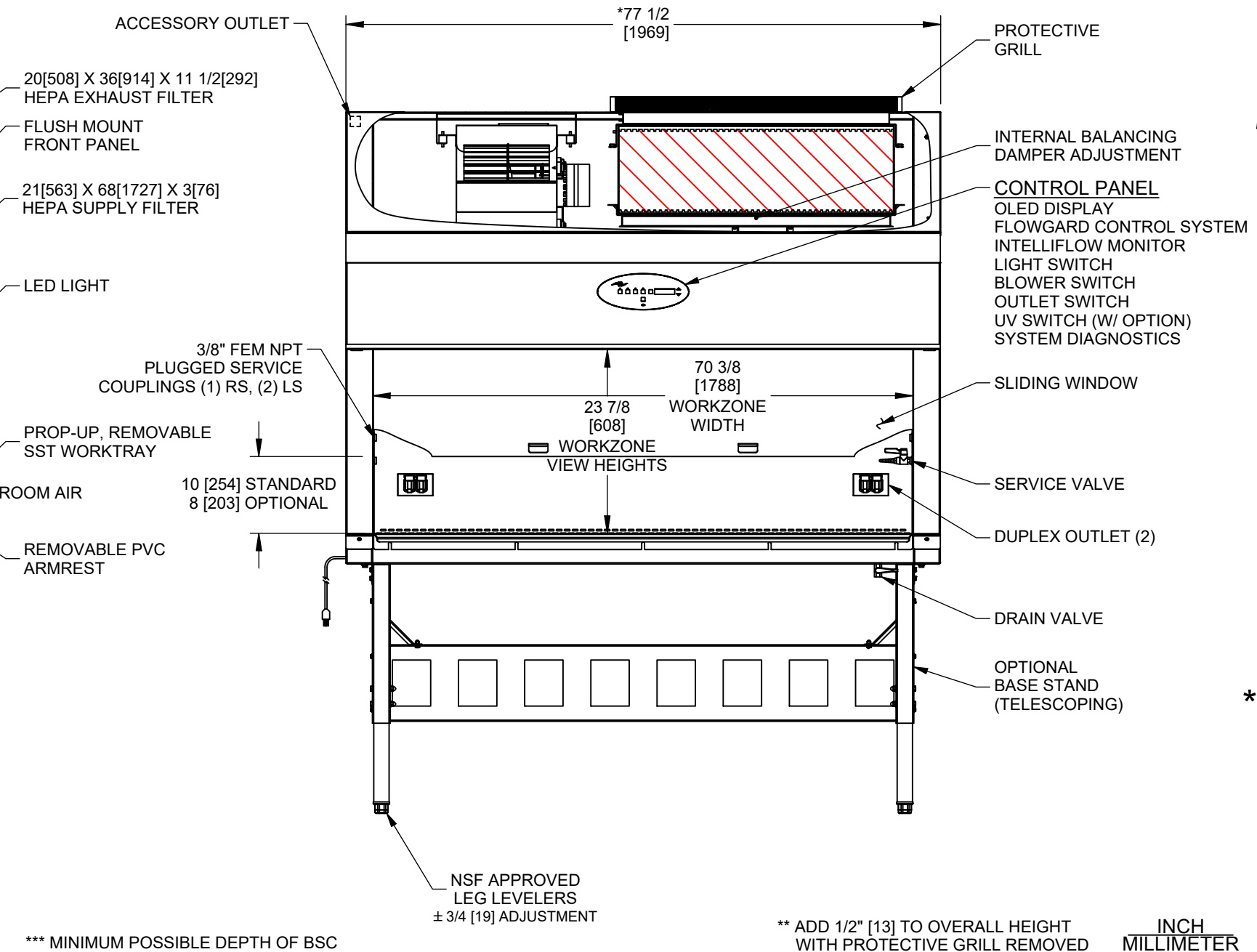
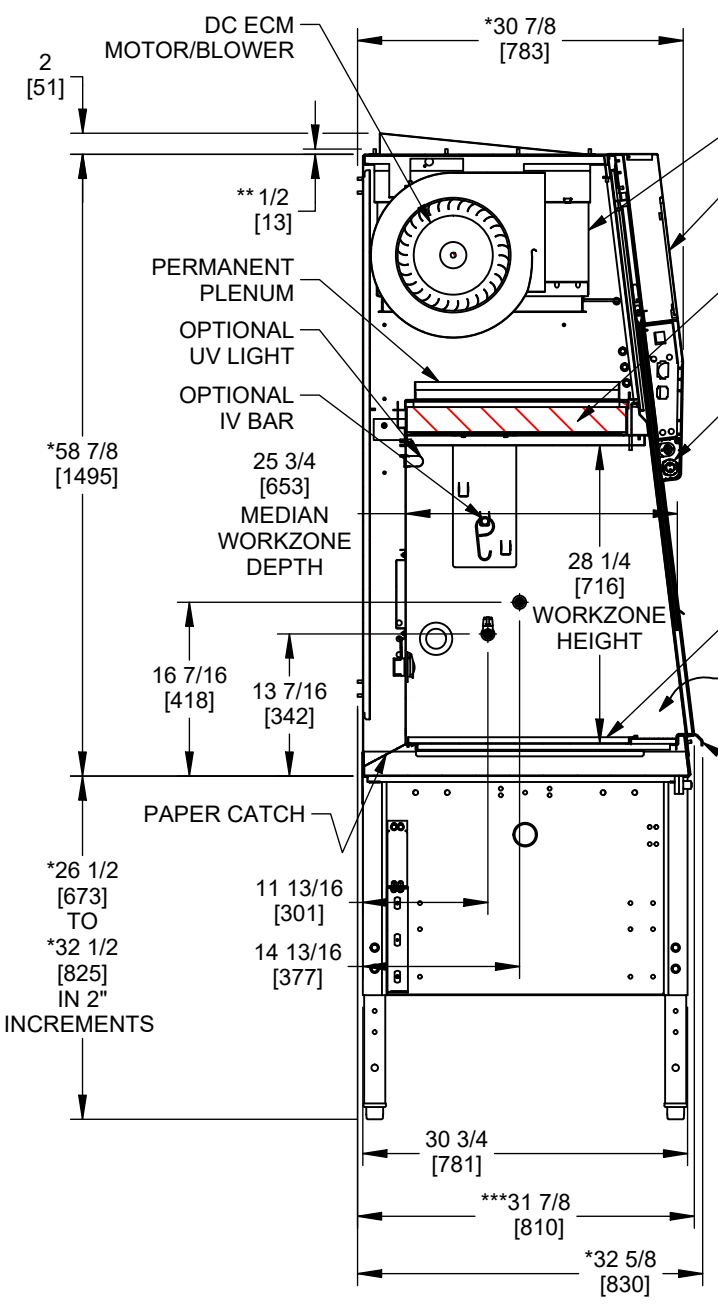
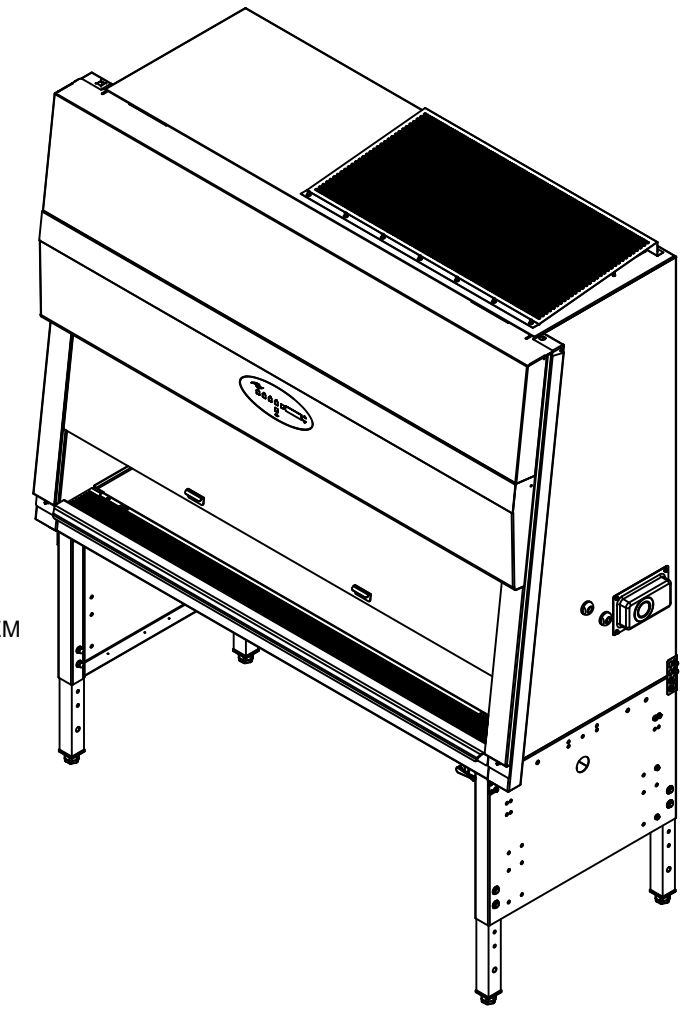
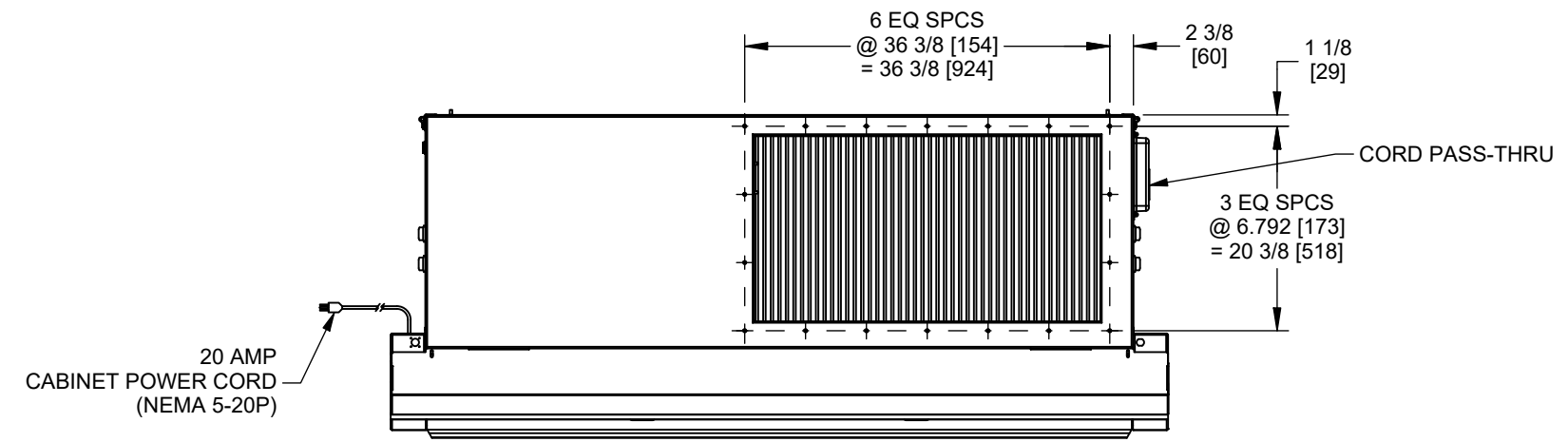


REV	CO	DESCRIPTION	DATE	DFTM	CHKD
E	000631	UPDATED W/ STANDARD PROP-UP WORKTRAY AND LED LIGHTING	2/22/2021	TH	DSH



\* OVERALL DIMENSIONAL TOLERANCE ±1/4 [6.35]  
ALL OTHER DIMENSIONS ±1/8 [3.17]

TITLE NU-543-600 Class II, Type A2 Biosafety Cabinet					
DFTM LS	DATE 10/15/2013	CHKD BP	SHEET 1	OF 1	
DRAWING NUMBER BCD-16375			E		

\*\*\* MINIMUM POSSIBLE DEPTH OF BSC

\*\* ADD 1/2" [13] TO OVERALL HEIGHT WITH PROTECTIVE GRILL REMOVED

INCH  
MILLIMETER

NSF APPROVED  
LEG LEVELERS  
± 3/4 [19] ADJUSTMENT