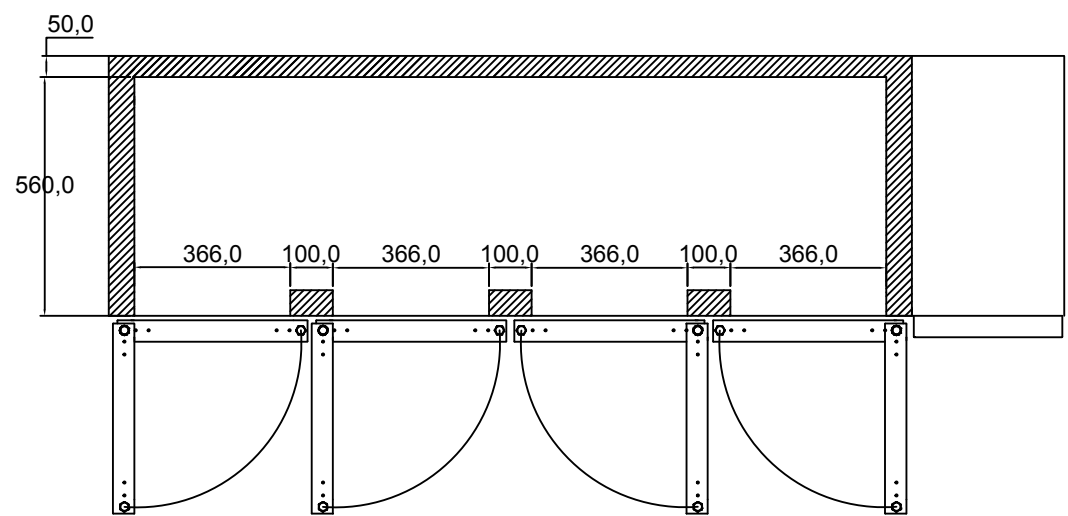
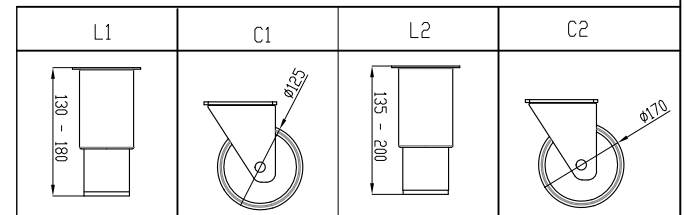



SECTION B-B



SECTION A-A



R&D	DATE	GENERAL TOLERANCES	HOSHIZAKI 	
DRAWN	15.11.2017	DIN 7168 M		
CONTROL	15.12.2017	SCALE 1:100	DESCRIPTION	SCR-225 HC
APPROV.	15.11.2017		DESCRIPTION 2	
REVISION	0		DRAWING NO	DIMENSIONS

DO NOT SCALE FROM DRAWING!

ALL DIMENSIONS ARE IN (mm)