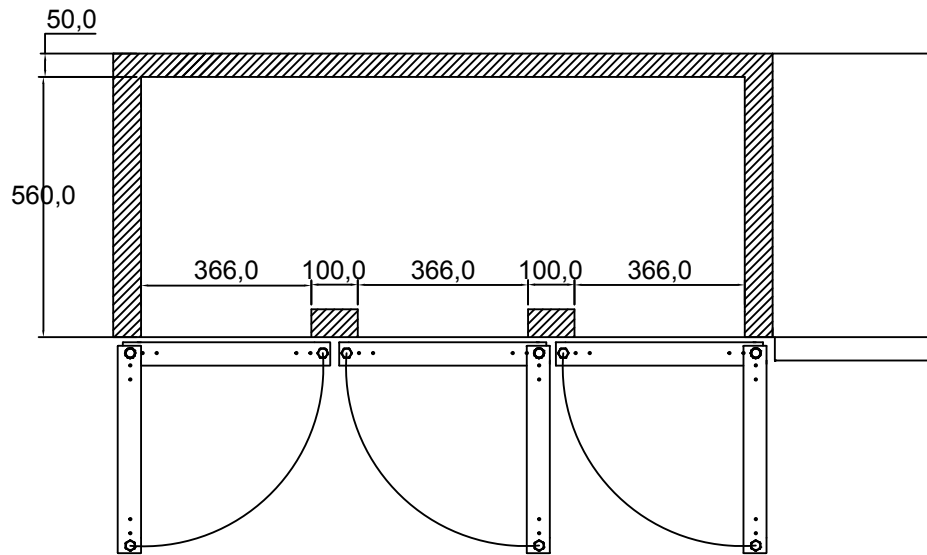


SECTION B-B



SECTION A-A

L1	C1	L2	C2

R&D	DATE	GENERAL TOLERANCES	HOSHIZAKI		
DRAWN	15.11.2017	DIN 7168 M			
CONTROL	15.12.2017		DESCRIPTION 2		
APPROV.	15.11.2017		DRAWING NO	DIMENSIONS	
REVISION	0	SCALE	1:100		

DO NOT SCALE FROM DRAWING!

ALL DIMENSIONS ARE IN (mm)