

↗ DOMETIC

REFRIGERATION

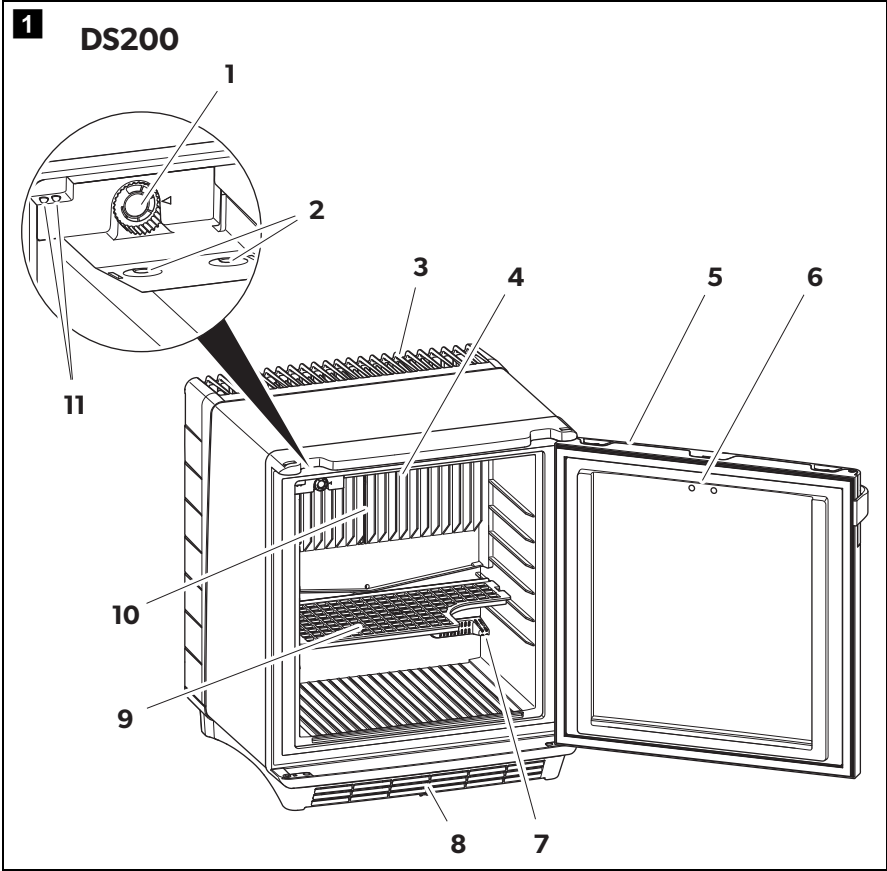
MINI FRIDGES

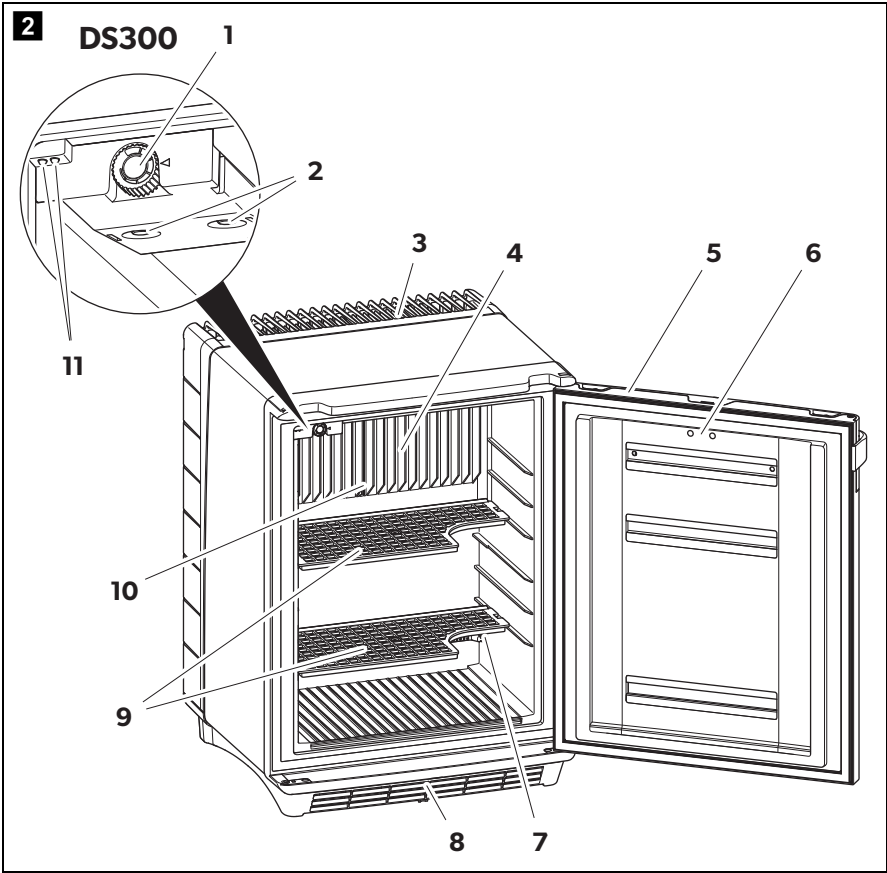


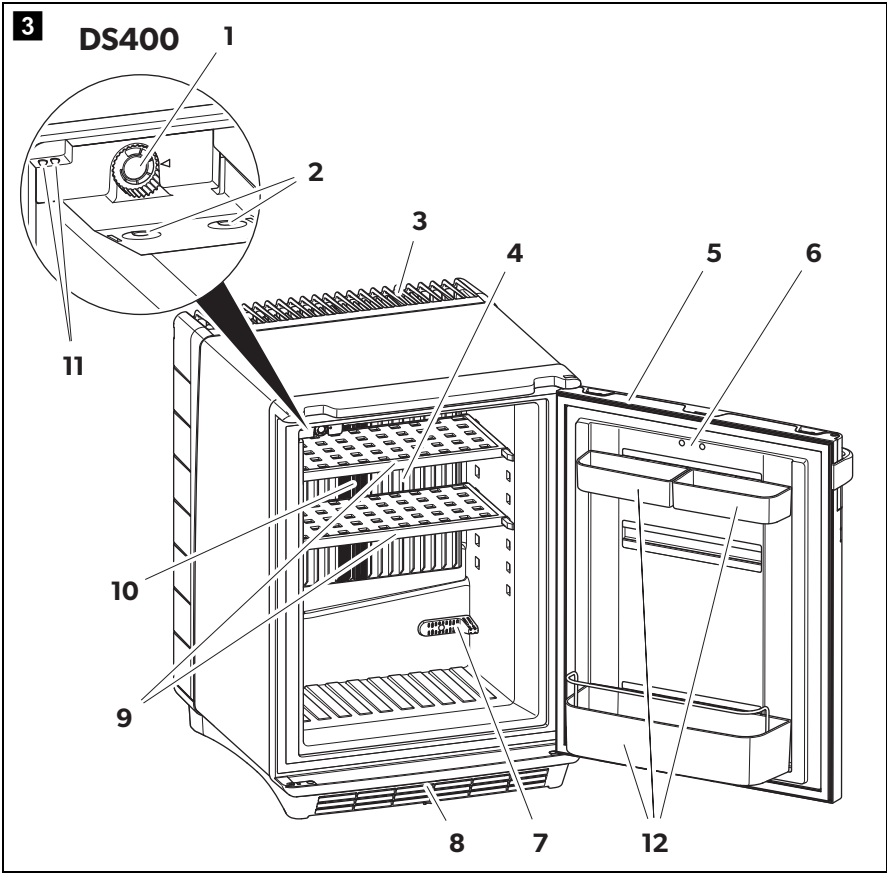
DS 200, DS 300, DS 400, DS 600

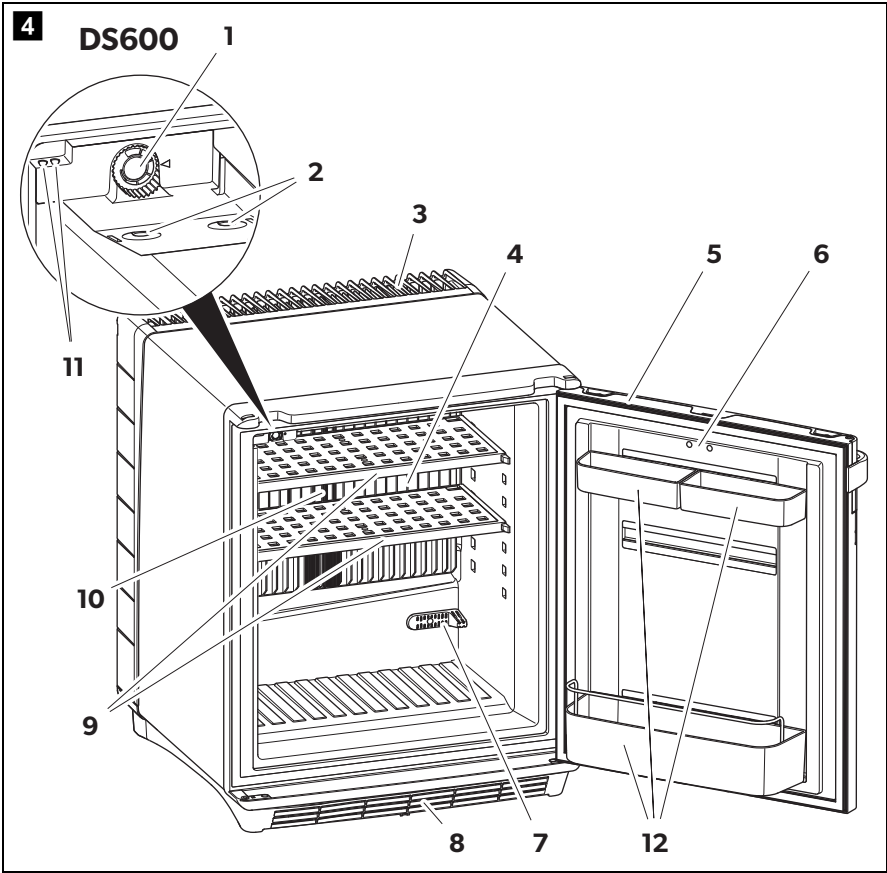
EN	Mini fridge Installation and Operating Manual	17
DE	Mini-Kühlschrank Montage- und Bedienungsanleitung	32
FR	Mini-réfrigérateur Instructions de montage et de service	48
ES	Mininevera Instrucciones de montaje y de uso	64
PT	Mini frigorífico Instruções de montagem e manual de instruções	80
IT	Mini frigo Istruzioni di montaggio e d'uso	96
NL	Minikoelkast Montagehandleiding en gebruiksaanwijzing	112
DA	Minikøleskab Monterings- og betjeningsvejledning . . .	127
SV	Minikyl Monterings- och bruksanvisning	142
NO	Minikjøleskap Monterings- og bruksanvisning	156
FI	Minijääkaappi Asennus- ja käyttöohje	171
RU	Мини-холодильник Инструкция по монтажу и эксплуатации	186
PL	Minilodówka Instrukcja montażu i obsługi	202
SK	Mini chladnička Návod na montáž a uvedenie do prevádzky	218
CS	Mini chladnička Návod k montáži a obsluze	233
HU	Minihűtő Szerelési és használati útmutató	248

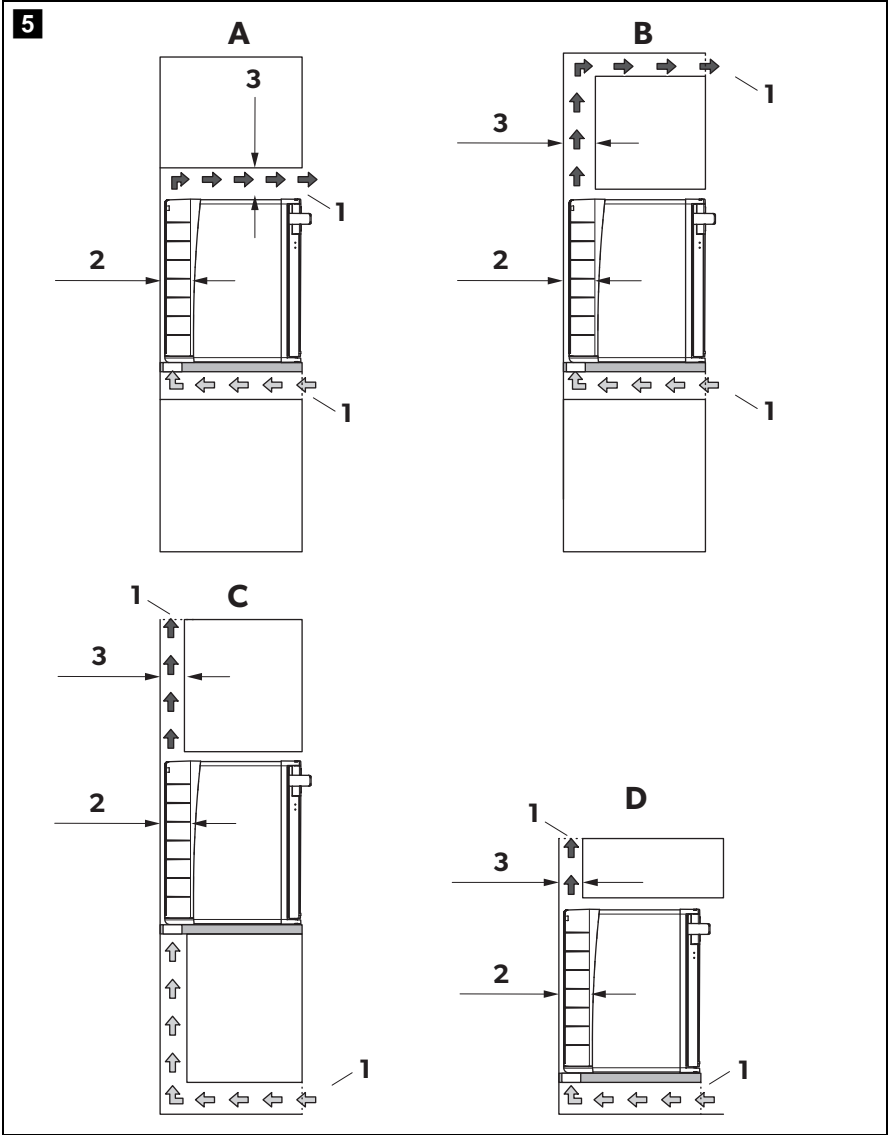
© 2021 Dometic Group. The visual appearance of the contents of this manual is protected by copyright and design law. The underlying technical design and the products contained herein may be protected by design, patent or be patent pending. The trademarks mentioned in this manual belong to Dometic Sweden AB. All rights are reserved.

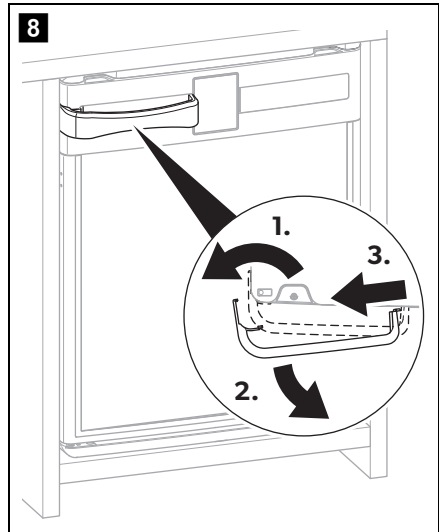
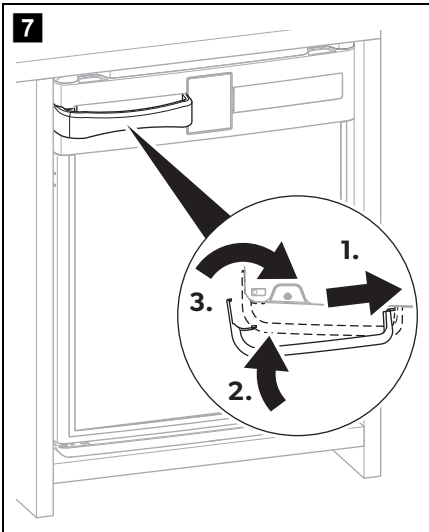
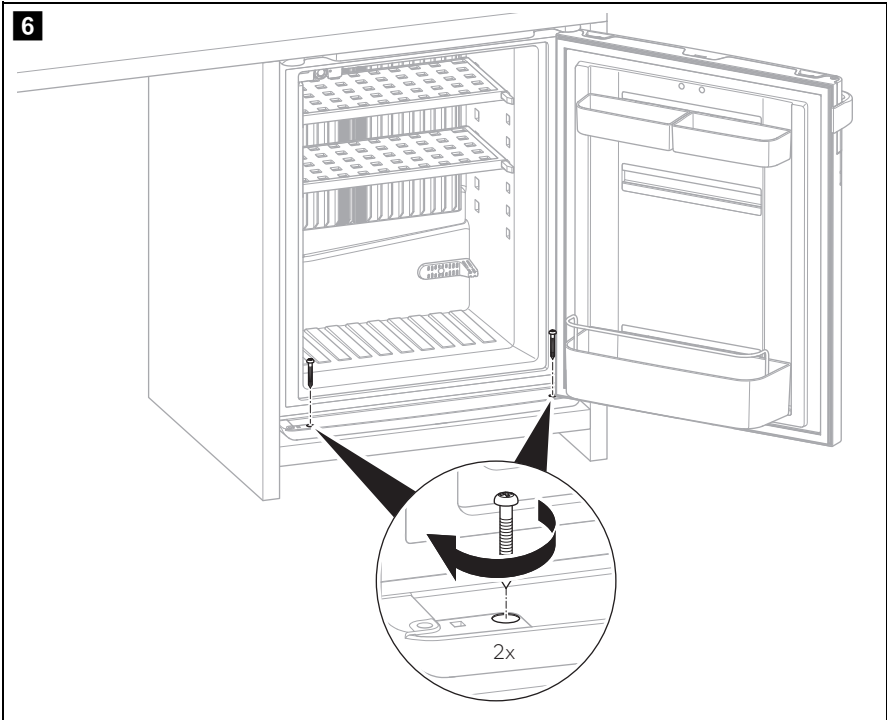


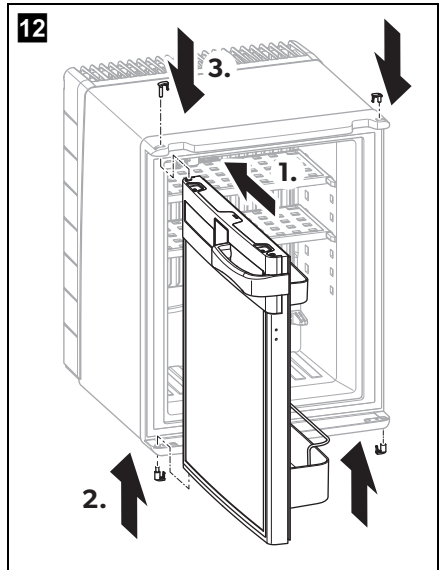
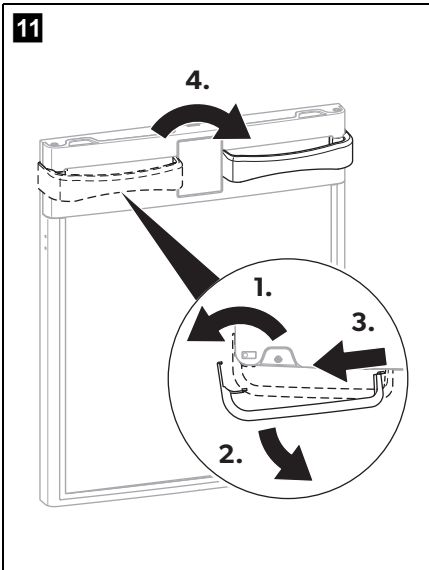
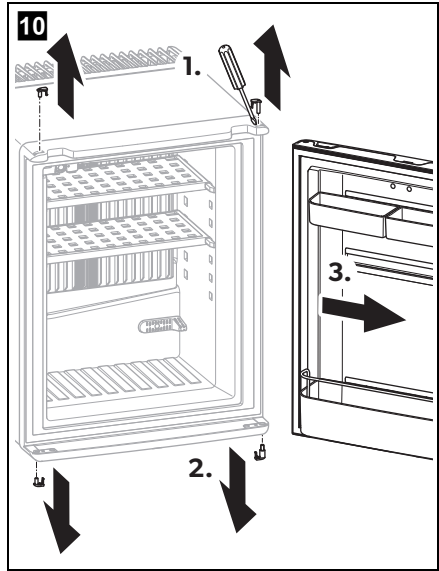
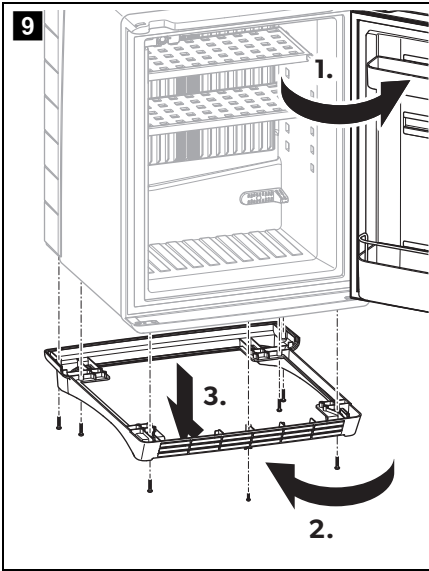


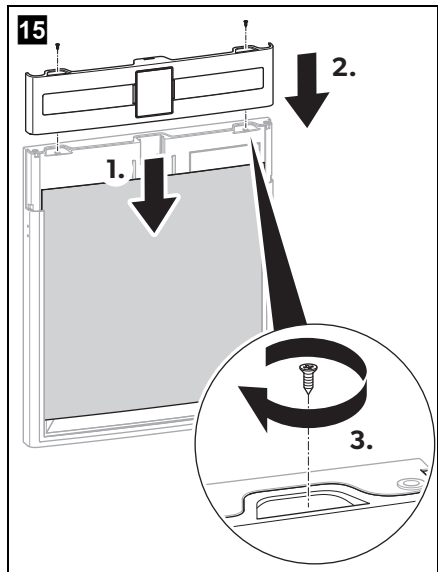
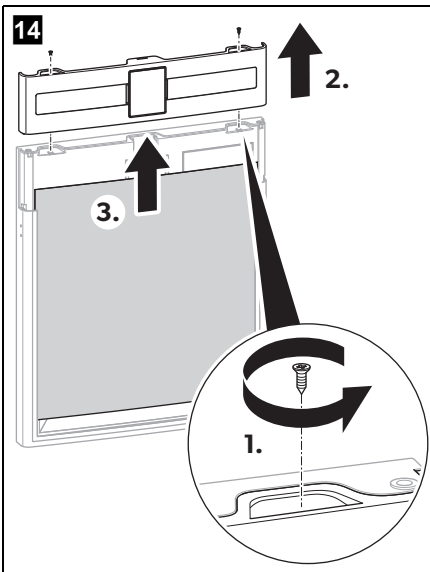
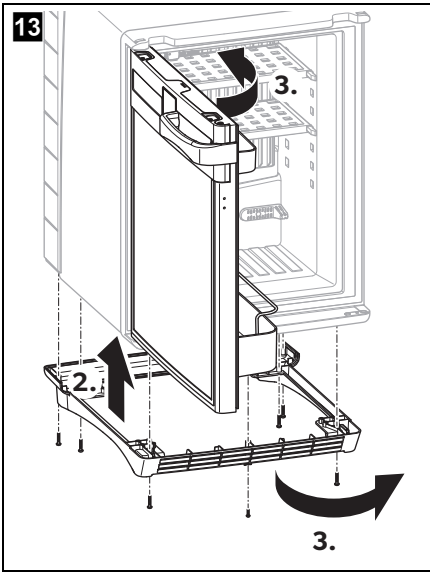


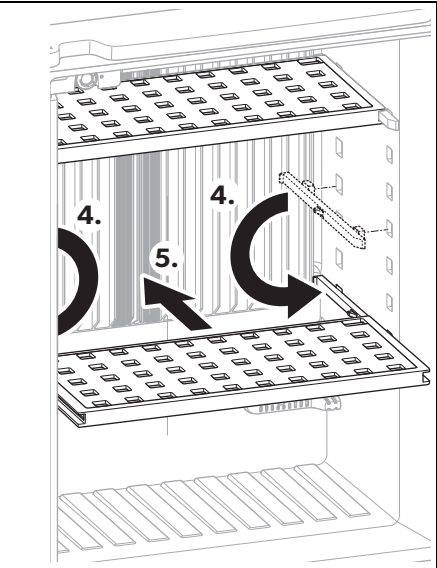
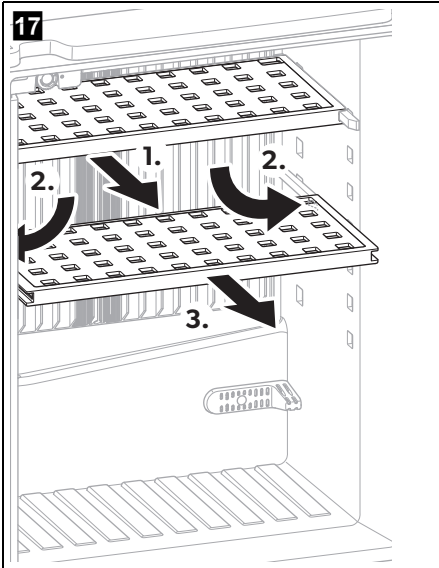
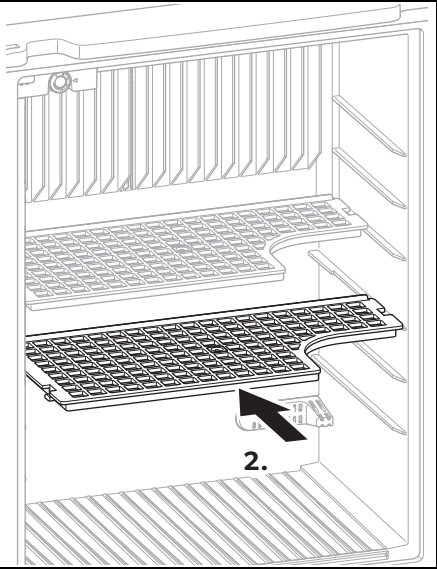
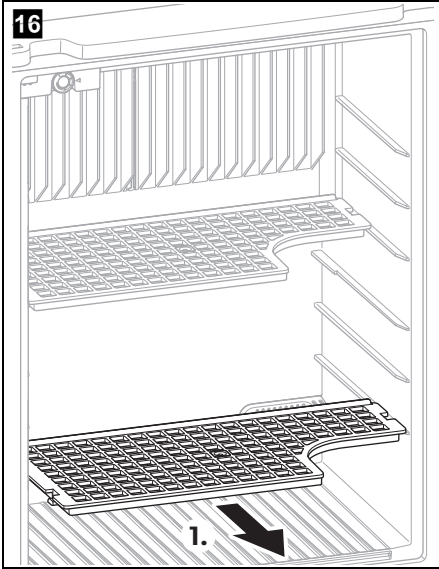


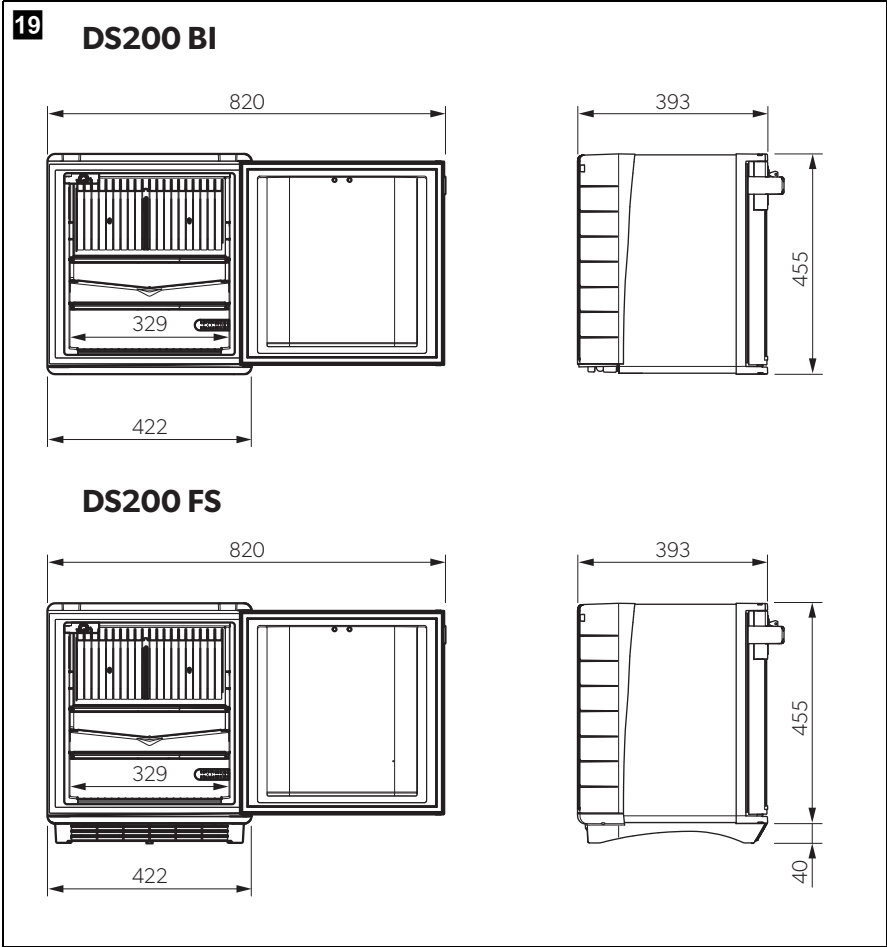
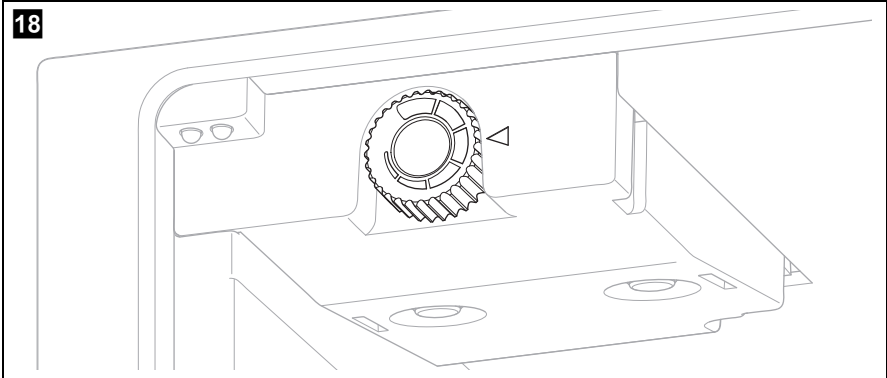






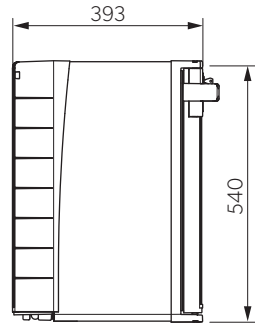
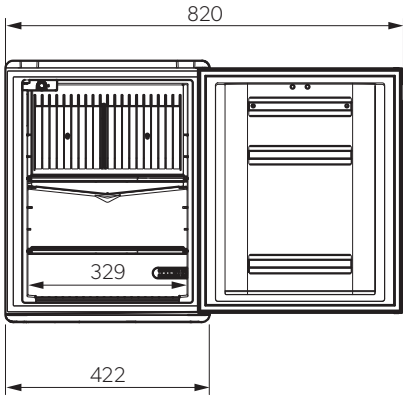




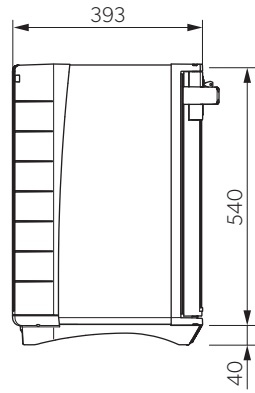
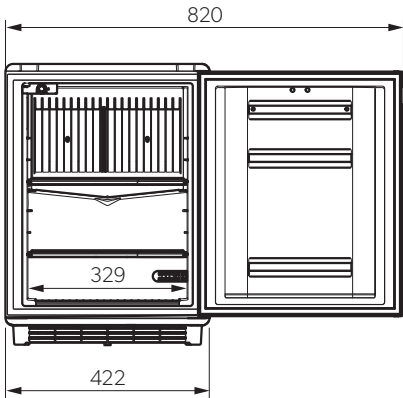


20

DS300 BI

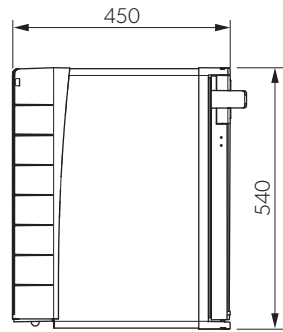
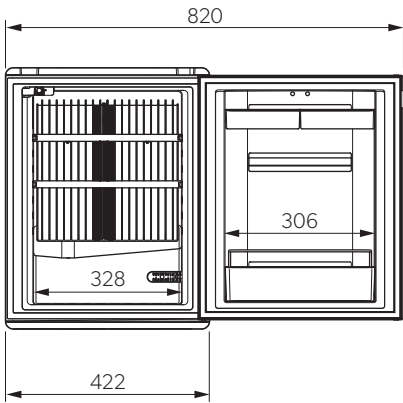


DS300 FS

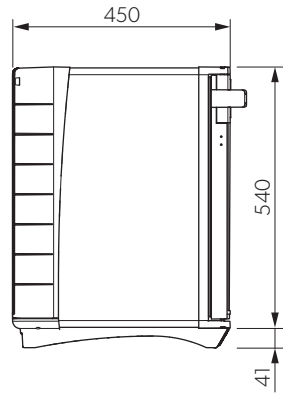
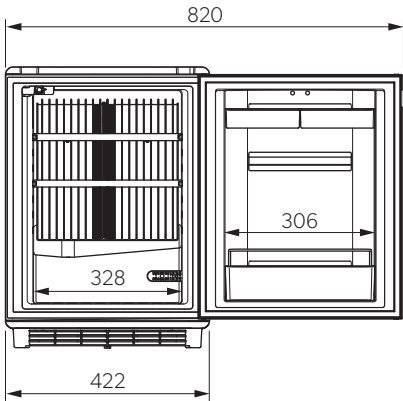


21

DS400 BI

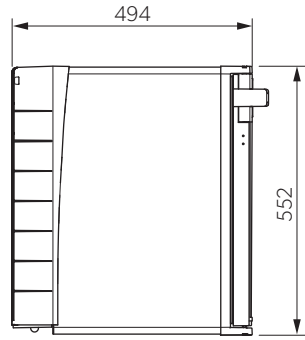
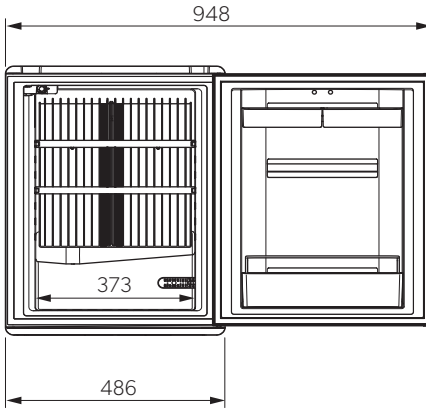


DS400 FS

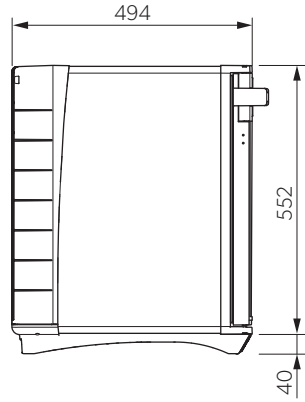
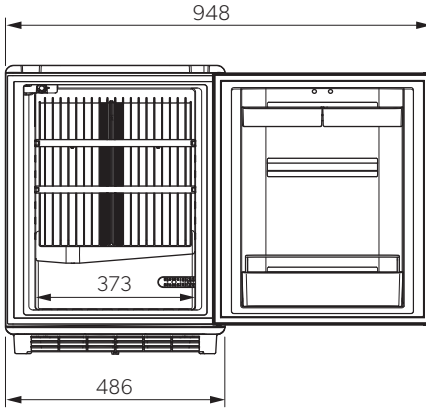


22

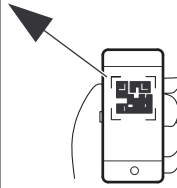
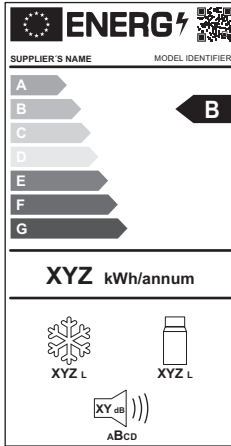
DS600 BI



DS600 FS



23



eprel.ec.europa.eu

Please read these instructions carefully and follow all instructions, guidelines, and warnings included in this product manual in order to ensure that you install, use, and maintain the product properly at all times. These instructions **MUST** stay with this product.

By using the product, you hereby confirm that you have read all instructions, guidelines, and warnings carefully and that you understand and agree to abide by the terms and conditions as set forth herein. You agree to use this product only for the intended purpose and application and in accordance with the instructions, guidelines, and warnings as set forth in this product manual as well as in accordance with all applicable laws and regulations. A failure to read and follow the instructions and warnings set forth herein may result in an injury to yourself and others, damage to your product or damage to other property in the vicinity. This product manual, including the instructions, guidelines, and warnings, and related documentation, may be subject to changes and updates. For up-to-date product information, please visit documents.dometic.com, dometic.com.

Table of contents

1	Explanation of symbols	17
2	Safety instructions	18
3	Scope of delivery	21
4	Intended use	21
5	Technical description	22
6	Installing and connecting the mini fridge.	23
7	Using the mini fridge	26
8	Cleaning and maintenance	28
9	Troubleshooting	28
10	Warranty	29
11	Disposal	30
12	Technical data	30

1 Explanation of symbols



DANGER!

Safety instruction: Indicates a hazardous situation that, if not avoided, will result in death or serious injury.



WARNING!

Safety instruction: Indicates a hazardous situation that, if not avoided, could result in death or serious injury.

**CAUTION!**

Safety instruction: Indicates a hazardous situation that, if not avoided, could result in minor or moderate injury.

**NOTICE!**

Indicates a situation that, if not avoided, can result in property damage.

**NOTE**

Supplementary information for operating the product.

2 Safety instructions

2.1 General safety



WARNING! Failure to obey these warnings could result in death or serious injury.

Electrocution hazard

- Ensure that the mini fridge has been installed by a qualified technician in accordance with the Dometic installation manual.
- Do not operate the mini fridge if it is visibly damaged.
- If this mini fridge's power cable is damaged, it must be replaced by the manufacturer, service agent or a similarly qualified person in order to prevent safety hazards.
- This mini fridge may only be repaired by qualified personnel. Inadequate repairs may cause serious hazards.

Fire hazard

- The refrigerant in the refrigerant circuit is highly flammable. In the event of any damage to the refrigerant circuit:
 - Switch off the mini fridge.
 - Avoid naked flames and sparks.
 - Air the room well.

Explosion hazard

- Do not store any explosive substances, such as spray cans with propellants, in the mini fridge.

Health hazard

- Never open the absorber unit. It is under high pressure and can cause injury if it is opened.

- This mini fridge can be used by children aged from 8 years and above and persons with reduced physical, sensory or mental capabilities or lack of experience and knowledge if they have been given supervision or instruction concerning use of the mini fridge in a safe way and understand the hazards involved.
- Children shall not play with the mini fridge.
- Cleaning and user maintenance shall not be made by children without supervision.
- Children aged from 3 to 8 years are allowed to load and unload the mini fridge.



CAUTION! Failure to obey these cautions could result in minor or moderate injury.

Risk of crushing

- Do not put your fingers into the hinge.

Health hazard

- Foodstuff may only be stored in its original packaging or in suitable containers.



NOTICE! Damage hazard

- Check that the voltage specification on the type plate is the same as that of the power supply.
- The mini fridge is not suitable for storing substances which are caustic or contain solvents.
- The insulation of the cooling device contains flammable cyclopentane and requires special disposal procedures. Deliver the cooling device at the end of its life-cycle to an appropriate recycling center.
- Keep the drainage outlet clean at all times.
- Do not open the refrigerant circuit under any circumstances.
- Only carry the mini fridge upright.

2.2 Operating the mini fridge safely



DANGER! Failure to obey these warnings will result in death or serious injury.

Electrocution hazard

- Do not touch exposed cables with your bare hands.



CAUTION! Failure to obey these cautions could result in minor or moderate injury.

Electrocution hazard

- Before starting the mini fridge, ensure that the power supply line and the plug are dry.

Health hazard

- Make sure that you only put items in the mini fridge which may be chilled at the selected temperature.
- Food may only be stored in its original packaging or in suitable containers.
- Opening the door for long periods can cause significant increase of the temperature in the compartments of the mini fridge.
- Clean regularly surfaces that can come in contact with food and accessible drainage systems.
- If the mini fridge is left empty for long periods:
 - Switch off the mini fridge.
 - Defrost the mini fridge.
 - Clean and dry the mini fridge.
 - Leave the door open to prevent mould developing within the mini fridge.



NOTICE! Damage hazard

- Only store heavy objects such as bottles or cans in the mini fridge door or on the bottom shelf.
- Do not use electrical devices inside the mini fridge unless they are recommended by the manufacturer for that purpose.
- Do not place it near naked flames or other heat sources (heaters, direct sunlight, gas ovens etc.).
- Ensure that the ventilation vents are not covered.
- Never immerse the mini fridge in water.
- Protect the mini fridge and the cable against heat and moisture.
- Make sure that foodstuffs do not touch the walls of the cooling area.

3 Scope of delivery

Quantity	Description
1	Mini fridge
1	Installation and operating manual

4 Intended use

The refrigeration appliance (also referred to as mini fridge) is designed for operation in enclosed buildings, such as:

- In staff kitchens in stores, offices and other work areas
- In the agricultural sector
- In hotels, motels and other accommodations
- In bed and breakfast establishments
- In catering businesses or similar wholesaler operations

The mini fridge is not suitable for installation in caravans or mobile homes.

This mini fridge is intended to be used either as a built-in appliance or as freestanding refrigeration appliance. Refer to the installation instructions.

The mini fridge is designed exclusively for cooling and storing of beverages and foods in closed containers, and fresh foods.

The mini fridge is not suitable for storing medicine or freezing foodstuffs.

This mini fridge is only suitable for the intended purpose and application in accordance with these instructions.

This manual provides information that is necessary for proper installation and/or operation of the mini fridge. Poor installation and/or improper operating or maintenance will result in unsatisfactory performance and a possible failure.

The manufacturer accepts no liability for any injury or damage to the product resulting from:

- Incorrect assembly or connection, including excess voltage
- Incorrect maintenance or use of spare parts other than original spare parts provided by the manufacturer
- Alterations to the product without express permission from the manufacturer
- Use for purposes other than those described in this manual

Dometic reserves the right to change product appearance and product specifications.

5 Technical description

The device is a mini fridge with absorption cooling. Ammonia is used as the refrigerant. All materials used are compatible for use with foodstuffs. The refrigerant circuit is maintenance-free.

The mini fridge is available as freestanding version (**FS**) and as built-in version (**BI**).

The **freestanding version** is intended for freestanding use. The cooling unit cover protects the warm parts of the cooling units. The foot frame with ventilation openings ensure sufficient ventilation. By removing the foot frame and cooling unit cover the mini fridge can be used as a built-in version.

The **built-in version** is intended to be mounted into furniture. It does not have a foot frame or cooling unit cover.

The temperature is set using the thermostatic control on the inside of the mini fridge.

The electronics checks the mini fridge's function after every defrosting phase by measuring the evaporator temperature drop. If it registers a problem it shuts down the mini fridge and the interior light flashes continuously.

The mini fridge is equipped with an automatic defrosting function. Each defrosting phase lasts 2 hours. 39 hours after switching on the cooling device, the first defrosting phase starts. After that, every 22 hours a defrosting phase is performed.

The defrost water is run through a drain tube from the drip channel to an evaporator vessel at the mini fridge's bottom rear. The defrost water evaporates automatically into the circulating air so that the vessel does not need to be emptied.

Two door sensors check whether the door is open.

5.1 Components

The various types of mini fridges are shown in the following illustrations:

- DS 200: fig. **1**, page 3
- DS 300: fig. **2**, page 4
- DS 400: fig. **3**, page 5
- DS 600: fig. **4**, page 6

No.	Explanation
1	Thermostat
2	Interior light
3	Cover for cooling unit (only in freestanding models)
4	Evaporator
5	Door
6	Door lock (optional)
7	Air sensor
8	Foot frame (only in freestanding models)
9	Shelf
10	Evaporator sensor
11	Door sensor
12	Door inserts

6 Installing and connecting the mini fridge

6.1 Instructions for installing the mini fridge

Observe the following when installing the mini fridge:

- Install the mini fridge so that the warm air produced can easily flow away (either upwards or to the sides, fig. **5**, page 7).

No. in fig. 5 , page 7	Explanation
1	Cold intake air
2	Heated exhaust air
3	Clearance above the mini fridge if exhaust air can not adequately circulate upwardly or at the side

- Observe the following installation dimensions:
 - DS200: fig. **19**, page 12
 - DS300: fig. **20**, page 13
 - DS400: fig. **21**, page 14
 - DS600: fig. **22**, page 15
- Keep objects clear of openings in the housing or installation structure (such as ventilation slots, etc.).

6.2 Installing freestanding version

Observe the following to set up the mini fridge in a freestanding position:

- Ensure that the cover for protecting the hot components of the cooling unit is present.
 - Ensure that the floor frame is in place to provide adequate air circulation.
- Place the mini fridge on a level surface. Use a water level to check this.

6.3 Installing built-in version



CAUTION! Health hazard

To avoid a hazard due to instability of the device, it must be fixed in accordance with the instructions.

Observe the following instructions if you wish to install the mini fridge in cabinetry:

- Place the mini fridge on a level surface. Use a water level to check this.
- Maintain 20 mm clearance to the walls.
- Air must be able to circulate without any hindrance (fig. **5**, page 7).
- The entire cooling unit must extend into the ventilation duct.
- The air in the ventilation duct may not be heated by other heat sources.
- The ventilation grille must have a cross-section of at least 200 cm².

Proceed as follows to install the mini fridge (fig. **6**, page 8):

- Erect the mini fridge and screw on the feet of the device.

6.4 Mounting the door handle (optional)

- Proceed as shown to mount the door handle (fig. **7**, page 8).
- Proceed as shown to disassemble the door handle (fig. **8**, page 8).

6.5 Changing the door hinge



WARNING! Electrocutation hazard

Before performing any work on the mini fridge, unplug the power plug.



NOTICE! Risk of damage!

The mini fridge may only lie on its side briefly.

You can change the hinge of the door, so that it opens to the left rather than the right.

- ▶ Proceed as shown to change the door hinge:
 - **Freestanding version:** fig. **9**, page 9 to fig. **13**, page 10
 - **Build-in version:** fig. **10**, page 9 to fig. **12**, page 9

6.6 Replacing the door panel



NOTICE! Risk of damage

The mini fridge may only briefly lie on its side.

The door panel has the following dimensions:

Model	Width	Height	Thickness
DS200	383 ± 0.5 mm	310 ± 0.5 mm	2 mm
DS300	383 ± 0.5 mm	395 ± 0.5 mm	
DS400	383 ± 0.5 mm	395 ± 0.5 mm	
DS600	449 ± 0.5 mm	408 ± 0.5 mm	

- ▶ If necessary, disassemble the door handle (chapter "Mounting the door handle (optional)" on page 24).
- ▶ If necessary, remove the retaining ring of the door lock.
- ▶ Proceed as shown to remove the decorative plate (fig. **14**, page 10).
- ▶ Proceed as shown to mount the decorative plate (fig. **15**, page 10).

7 Using the mini fridge



NOTICE! Damage hazard

- Ensure that food or liquids in glass containers are not excessively refrigerated. Liquids expand when they freeze. This can therefore destroy glass containers.
- Ensure that you only put items in the mini fridge which may be chilled at the selected temperature.

7.1 Before first use

Before starting your new mini fridge for the first time, you should clean it inside and outside with a damp cloth for hygienic reasons (see also chapter “Cleaning and maintenance” on page 28).

7.2 Saving energy

- Only open the mini fridge as often and for as long as necessary.
- Allow warm food to cool down first before placing it in the device to keep cool.
- Avoid unnecessarily low temperature settings.
- For optimal energy consumption, position the shelves and drawers according to their position on delivery.
- On a regularly basis, make sure the door seal still fits properly.
- Clean dust and dirt from the condenser at regular intervals.

7.3 Positioning the shelves

DS 200, DS 300

Proceed as shown (fig. **16**, page 11).

DS 400, DS 600

Proceed as shown (fig. **17**, page 11).

7.4 Switching on

- ▶ Plug the power plug into the socket.
- ✓ The mini fridge begins a self-test.

- ✓ The LED initially flashes several times and then lights continuously.
- ✓ The mini fridge is switched on.

**NOTE**

After switching on, the mini fridge needs several hours to reach the cooling temperature within the mini fridge compartment.

7.5 Setting the temperature

To avoid food waste, note the following:

- Keep temperature fluctuation as low as possible. Only open the refrigerator as often and for as long as necessary. Store the foodstuff in such a way that the air can still circulate well.
 - Adjust the temperature to the quantity and type of the foodstuff.
 - Store the different foodstuff types as shown in the figures.
 - Foodstuff can easily absorb or release odor or taste. Always store foodstuff covered or in closed containers/bottles.
- Set the thermostatic control (fig. **18**, page 12) to the middle position. Depending on the filling and installation conditions, a different position may be necessary. Turning the controller toward the large symbol increases the cooling; turning it toward the smaller symbol reduces the cooling.

7.6 Switching off and storing

If you intend to not use the mini fridge for a longer period, proceed as follows:

- Pull the power plug out of the socket.
- Clean the mini fridge (see chapter “Cleaning and maintenance” on page 28).
- Leave the door open to prevent odors from forming.

7.7 Replacing the LED

**NOTICE! Damage hazard**

The lamp can only be replaced by the manufacturer, a service agent or similarly qualified person to avoid hazard.

8 Cleaning and maintenance



WARNING! Electrocuting hazard

Always disconnect the refrigerator from the mains before you clean and service it.



NOTICE! Damage hazard

- Do not use abrasive cleaning agents or hard objects during cleaning as these can damage the refrigerator.
- Never use hard or sharp tools to remove ice or to free objects frozen onto the device.
- Do not use any mechanical tools or any other tools to speed up the defrosting process.

- Clean the refrigerator regularly and as soon as it becomes dirty with a damp cloth.
- Make sure that no water drips into the seals. This can damage the electronics.
- Wipe the refrigerator dry with a cloth after cleaning.
- Check the condensate drain regularly.
Clean the condensate drain when necessary. If it is blocked, the condensate collects on the bottom of the refrigerator.

9 Troubleshooting

Fault	Possible cause	Solution
No cooling, absorber unit cold	Power plug not plugged in	Insert power plug in socket.
	No voltage in socket	Check household fuse.
	Electronics or sensors defective	Authorized service agent: Install new electronics or sensors.
	Heating cartridge defective	Authorized service agent: Install new heating cartridge.
	Defrosting phase active	No action required

Fault	Possible cause	Solution
No cooling, absorber unit warm	Refrigerator is not level	Align refrigerator with water level.
	Refrigerator was switched on recently	Check cooling again after 5 to 6 hours.
	Cooling unit defective	Authorized service agent: Replace refrigerator.
Poor cooling performance	Refrigerator is exposed to direct sunlight	Take refrigerator out of direct sunlight.
	Refrigerator door does not close with a tight seal	Check clearances (fig. 5 , page 7). Authorized service agent: Replace door seal.
	Refrigerator was recently filled	Check cooling again after 5 to 6 hours.
Frost formation in the refrigerator compartment	Door of refrigerator does not close with a tight seal	Check clearances (fig. 5 , page 7) Authorized service agent: Replace door seal
No cooling, interior light flashing	Refrigerator overloaded	<p>► Disconnect the device from the power supply for at least 10 s.</p> <p>► Connect the device</p> <p>This will reset the electronics and the device should resume normal operation.</p> <p>If the LEDs start flashing again, a major fault has occurred:</p> <p>► Contact an authorized repair center.</p>
	Door not closed properly	
	No adequate air circulation for the cooling unit	
	Refrigerator is not level	

10 Warranty

The statutory warranty period applies. If the product is defective, please contact your retailer or the manufacturer's branch in your country (see dometic.com/dealer).

For repair and warranty processing, please include the following documents when you send in the product:

- A copy of the receipt with purchasing date
- A reason for the claim or description of the fault

11 Disposal

- Place the packaging material in the appropriate recycling waste bins wherever possible.



If you wish to finally dispose of the product, ask your local recycling centre or specialist dealer for details about how to do this in accordance with the applicable disposal regulations.

12 Technical data

	DS200	DS300	DS400	DS600
Input voltage:	220 – 240 V			
Rated input power:	65 W			
Total volume:	23 l	28 l	34 l	45 l
Energy efficiency class:	D			
Energy consumption:				
– FS:	0.793 kWh/ 24 h	0.801 kWh/ 24 h	0.807 kWh/ 24 h	0.821 kWh/ 24 h
– BI:	0.809 kWh/ 24 h	0.817 kWh/ 24 h	0.823 kWh/ 24 h	0.836 kWh/ 24 h
Climate class:	N		SN	
Intended ambient temperature use:	+10 °C to +32 °C			
Noise emission:	0 dB(A)			
Propellant:	Cyclopentane			
Refrigerant:	Ammonia			
Dimensions H x W x D:	fig. 19 , page 12	fig. 20 , page 13	fig. 21 , page 14	fig. 22 , page 15
Weight:	14 kg	15 kg	17 kg	20 kg
Inspection/certification:				

For the current EU declaration of conformity for your device please refer to the respective product page on dometic.com or contact the manufacturer directly (see dometic.com/dealer).

Further product information can be accessed via QR code on the energy label in the figures or via eprel.ec.europa.eu.

Lesen und befolgen Sie bitte alle Anweisungen, Richtlinien und Warnhinweise in diesem Produkthandbuch sorgfältig, um sicherzustellen, dass Sie das Produkt ordnungsgemäß installieren und stets ordnungsgemäß betreiben und warten. Diese Anleitung MUSS bei dem Produkt verbleiben.

Durch die Verwendung des Produktes bestätigen Sie hiermit, dass Sie alle Anweisungen, Richtlinien und Warnhinweise sorgfältig gelesen haben und dass Sie die hierin dargelegten Bestimmungen verstanden haben und ihnen zustimmen. Sie erklären sich damit einverstanden, dieses Produkt nur für den angegebenen Verwendungszweck und gemäß den Anweisungen, Richtlinien und Warnhinweisen dieses Produkthandbuchs sowie gemäß allen geltenden Gesetzen und Vorschriften zu verwenden. Eine Nichtbeachtung der hierin enthaltenen Anweisungen und Warnhinweise kann zu einer Verletzung Ihrer selbst und anderer Personen, zu Schäden an Ihrem Produkt oder zu Schäden an anderem Eigentum in der Umgebung führen. Dieses Produkthandbuch, einschließlich der Anweisungen, Richtlinien und Warnhinweise, sowie die zugehörige Dokumentation können Änderungen und Aktualisierungen unterliegen. Aktuelle Produktinformationen finden Sie unter documents.dometic.com, dometic.com.

Inhalt

1	Erklärung der Symbole	32
2	Sicherheitshinweise	33
3	Lieferumfang	36
4	Bestimmungsgemäßer Gebrauch	36
5	Technische Beschreibung	37
6	Mini-Kühlschrank aufstellen und anschließen	39
7	Mini-Kühlschrank verwenden	41
8	Reinigung und Pflege	43
9	Störungsbeseitigung	44
10	Gewährleistung	45
11	Entsorgung	46
12	Technische Daten	47

1 Erklärung der Symbole



GEFAHR!

Sicherheitshinweis auf eine Gefahrensituation, die zum Tod oder zu schwerer Verletzung führt, wenn sie nicht vermieden wird.



WARNUNG!

Sicherheitshinweis auf eine Gefahrensituation, die zum Tod oder zu schwerer Verletzung führen kann, wenn sie nicht vermieden wird.

**VORSICHT!**

Sicherheitshinweis auf eine Gefahrensituation, die zu einer leichten oder mittelschweren Verletzung führen kann, wenn sie nicht vermieden wird.

**ACHTUNG!**

Hinweis auf eine Situation, die zu Sachschäden führen kann, wenn sie nicht vermieden wird.

**HINWEIS**

Ergänzende Informationen zur Bedienung des Produktes.

2 Sicherheitshinweise

2.1 Grundlegende Sicherheit



WARNUNG! Nichtbeachtung dieser Warnungen kann zum Tod oder schwerer Verletzung führen.

Gefahr durch Stromschlag

- Stellen Sie sicher, dass der Mini-Kühlschrank von einem qualifizierten Techniker gemäß der Dometic Montageanleitung installiert wurde.
- Wenn der Mini-Kühlschrank sichtbare Beschädigungen aufweist, dürfen Sie ihn nicht in Betrieb nehmen.
- Wenn das Anschlusskabel des Mini-Kühlschranks beschädigt ist, muss es durch den Hersteller, einen Kundendienstmitarbeiter bzw. eine entsprechend ausgebildete Fachkraft ersetzt werden, um Gefahren zu verhindern.
- Reparaturen am Mini-Kühlschrank dürfen nur von Fachkräften durchgeführt werden. Durch unsachgemäße Reparaturen können erhebliche Gefahren entstehen.

Brandgefahr

- Das Kältemittel im Kühlkreislauf ist leicht entflammbar. Bei einer Beschädigung des Kühlkreislaufs:
 - Schalten Sie den Mini-Kühlschrank aus.
 - Vermeiden Sie offenes Feuer und Zündfunken.
 - Lüften Sie den Raum gut.

Explosionsgefahr

- Lagern Sie keine explosionsfähigen Stoffe wie z. B. Sprühdosen mit brennbarem Treibgas im Mini-Kühlschrank.

Gesundheitsgefahr

- Öffnen Sie niemals das Absorberaggregat. Es steht unter hohem Druck und kann Verletzungen verursachen, wenn es geöffnet wird.
- Dieser Mini-Kühlschrank kann von Kindern ab 8 Jahren und von Personen mit verringerten physischen, sensorischen oder mentalen Fähigkeiten oder Mangel an Erfahrung und/oder Wissen verwendet werden, wenn diese Personen beaufsichtigt werden oder im sicheren Gebrauch des Mini-Kühlschranks unterwiesen wurden und die daraus resultierenden Gefahren verstanden haben.
- Kinder dürfen nicht mit dem Mini-Kühlschrank spielen.
- Reinigung und Benutzerwartung dürfen nicht durch unbeaufsichtigte Kinder durchgeführt werden.
- Kinder von 3 bis 8 Jahren dürfen den Mini-Kühlschrank be- und entladen.

**VORSICHT! Nichtbeachtung dieser Hinweise kann zu geringer oder mittelschwerer Verletzung führen.****Quetschgefahr**

- Fassen Sie nicht in das Scharnier.

Gesundheitsgefahr

- Lebensmittel dürfen nur in Originalverpackungen oder geeigneten Behältern eingelagert werden.

**ACHTUNG! Beschädigungsgefahr**

- Prüfen Sie, ob die Spannungsangabe auf dem Typenschild mit der vorhandenen Energieversorgung übereinstimmt.
- Der Mini-Kühlschrank ist nicht geeignet für die Lagerung ätzender oder Lösungsmittelhaltiger Stoffe.
- Die Isolierung des Kühlgeräts enthält brennbares Cyclopentan und erfordert ein besonderes Entsorgungsverfahren. Entsorgen Sie das Kühlgerät am Ende seiner Nutzungsdauer in einem entsprechenden Recyclingcenter.
- Halten Sie die Abflussöffnung stets sauber.
- Öffnen Sie auf keinen Fall den Kühlkreislauf.
- Transportieren Sie den Mini-Kühlschrank nur in aufrechter Stellung.

2.2 Mini-Kühlschrank sicher bedienen



GEFAHR! Nichtbeachtung dieser Warnungen kann zum Tod oder schwerer Verletzung führen.

Gefahr durch Stromschlag

- Fassen Sie nie mit bloßen Händen an blanke Leitungen.



VORSICHT! Nichtbeachtung dieser Hinweise kann zu geringer oder mittelschwerer Verletzung führen.

Gefahr durch Stromschlag

- Achten Sie vor der Inbetriebnahme des Mini-Kühlschranks darauf, dass Zuleitung und Stecker trocken sind.

Gesundheitsgefahr

- Stellen Sie sicher, dass sich nur Gegenstände bzw. Waren im Mini-Kühlschrank befinden, die auf die gewählte Temperatur gekühlt werden dürfen.
- Lebensmittel dürfen nur in Originalverpackungen oder geeigneten Behältern gelagert werden.
- Ein längeres Öffnen der Tür kann zu einem erheblichen Anstieg der Temperatur in den Fächern des Mini-Kühlschranks führen.
- Reinigen Sie regelmäßig Oberflächen, die mit Lebensmitteln in Kontakt kommen können, sowie zugängliche Ablaufsysteme.
- Wenn der Mini-Kühlschrank über längere Zeiträume leer bleibt:
 - Schalten Sie den Mini-Kühlschrank aus.
 - Tauen Sie den Mini-Kühlschrank ab.
 - Reinigen und trocknen Sie den Mini-Kühlschrank.
 - Lassen Sie die Tür offenstehen, um Schimmelbildung im Mini-Kühlschrank zu verhindern.



ACHTUNG! Beschädigungsgefahr

- Verstauen Sie schwere Gegenstände wie z. B. Flaschen oder Dosen ausschließlich in der Tür des Mini-Kühlschranks oder auf dem unteren Tragrost.
- Benutzen Sie keine Elektrogeräte innerhalb des Mini-Kühlschranks, außer wenn diese Elektrogeräte vom Hersteller dafür empfohlen werden.
- Stellen Sie das Gerät nicht in der Nähe von offenen Flammen oder anderen Wärmequellen (Heizungen, direkte Sonneneinstrahlung, Gasöfen usw.) ab.
- Stellen Sie sicher, dass die Lüftungsöffnungen nicht abgedeckt sind.

- Tauchen Sie den Mini-Kühlschrank nie in Wasser.
- Schützen Sie den Mini-Kühlschrank und das Kabel vor Hitze und Nässe.
- Achten Sie darauf, dass die Speisen keine Wand des Kühlraums berühren.

3 Lieferumfang

Anzahl	Beschreibung
1	Mini-Kühlschrank
1	Montage- und Bedienungsanleitung

4 Bestimmungsgemäßer Gebrauch

Das Kühlgerät (auch als Minikühlschrank bezeichnet) ist für den Betrieb in geschlossenen Gebäuden vorgesehen, wie z. B:

- In Personalküchen in Ladengeschäften, Büros und anderen Arbeitsbereichen
- Im landwirtschaftlichen Sektor
- In Hotels, Motels und anderen Unterkünften
- In Frühstückspensionen
- In Catering-Unternehmen oder ähnlichen Großhandelsbetrieben

Der Minikühlschrank ist nicht für den Einbau in Wohnwagen oder Wohnmobile geeignet.

Dieser Minikühlschrank ist entweder als Einbaugerät oder als freistehendes Kühlgerät zu verwenden. Beachten Sie die Installationsanleitung.

Der Minikühlschrank ist ausschließlich zur Kühlung und Lagerung von Getränken und Lebensmitteln in geschlossenen Behältern sowie frischen Lebensmitteln bestimmt.

Der Minikühlschrank ist nicht für die Lagerung von Medikamenten oder zum Einfrieren von Lebensmitteln geeignet.

Dieser Minikühlschrank ist nur für den angegebenen Verwendungszweck und die Anwendung gemäß dieser Anleitung geeignet.

Dieses Handbuch enthält Informationen, die für die ordnungsgemäße Installation und den ordnungsgemäßen Betrieb des Minikühlschranks erforderlich sind. Installationsfehler und/oder ein nicht ordnungsgemäßer Betrieb oder nicht ordnungsgemäße Wartung haben eine unzureichende Leistung und u. U. einen Ausfall des Geräts zur Folge.

Der Hersteller übernimmt keine Haftung für Verletzungen oder Schäden am Produkt, die durch Folgendes entstehen:

- Unsachgemäße Montage oder falscher Anschluss, einschließlich Überspannung
- Unsachgemäße Wartung oder Verwendung von anderen als den vom Hersteller gelieferten Original-Ersatzteilen
- Veränderungen am Produkt ohne ausdrückliche Genehmigung des Herstellers
- Verwendung für andere als die in der Anleitung beschriebenen Zwecke

Dometic behält sich das Recht vor, das Erscheinungsbild des Produkts und dessen technische Daten zu ändern.

5 Technische Beschreibung

Das Gerät ist ein Mini-Kühlschrank mit Absorptionskühlung. Als Kältemittel wird Ammoniak verwendet. Alle verwendeten Materialien sind unbedenklich für Lebensmittel. Der Kühlkreislauf ist wartungsfrei.

Der Mini-Kühlschrank ist als freistehende Version (**FS**) und als Einbauversion (**BI**) erhältlich.

Die **freistehende Version** ist für den freistehenden Einsatz vorgesehen. Die Kühlaggregatabdeckung schützt die warmen Teile der Kühlaggregate. Der Fußrahmen mit den Lüftungsöffnungen sorgt für eine ausreichende Belüftung. Durch Entfernen des Fußrahmens und der Kühlaggregatabdeckung kann der Mini-Kühlschrank als Einbauversion verwendet werden.

Die **Einbauversion** ist für den Einbau in Möbel vorgesehen. Sie hat keinen Fußrahmen und keine Kühlaggregatabdeckung.

Die Einstellung der Temperatur erfolgt über den Thermostatregler im Inneren des Mini-Kühlschranks.

Die Elektronik überprüft die Funktion des Mini-Kühlschranks nach jeder Abtauphase durch Messung des Temperaturabfalls des Verdampfers. Wenn sie ein Problem erkennt, schaltet sie den Mini-Kühlschrank ab und die Innenbeleuchtung blinkt dauerhaft.

Der Mini-Kühlschrank ist mit einer automatischen Abtaufunktion ausgestattet. Jede Abtauphase dauert 2 Stunden. 39 Stunden nach Einschalten des Kühlgerätes beginnt die erste Abtauphase. Danach wird alle 22 Stunden eine Abtauphase durchgeführt.

Das Abtauwasser wird durch einen Ablaufschlauch von der Abtropfrinne in einen Verdampferbehälter an der unteren Rückseite des Mini-Kühlschranks geleitet. Das Tauwasser verdampft in der zirkulierenden Luft von selbst, sodass der Auffangbehälter nicht geleert werden muss.

Zwei Türsensoren prüfen, ob die Tür geöffnet ist.

5.1 Bestandteile

Die unterschiedlichen Mini-Kühlschranktypen sind in folgenden Abbildungen dargestellt:

- DS200: Abb. **1**, Seite 3
- DS300: Abb. **2**, Seite 4
- DS400: Abb. **3**, Seite 5
- DS600: Abb. **4**, Seite 6

Pos.	Erläuterung
1	Thermostatregler
2	Innenbeleuchtung
3	Abdeckung für Kühlaggregat (nur bei freistehenden Modellen)
4	Verdampfer
5	Klappe
6	Türschloss (optional)
7	Luftsensor
8	Fußrahmen (nur bei freistehenden Modellen)
9	Tragrost
10	Verdampferfühler
11	Türsensor
12	Türeinlagen

6 Mini-Kühlschrank aufstellen und anschließen

6.1 Hinweise zum Aufstellen des Mini-Kühlschranks

Beachten Sie folgende Hinweise beim Aufstellen des Mini-Kühlschranks:

- Stellen Sie den Mini-Kühlschrank so auf, dass die erwärmte Luft gut abziehen kann (entweder nach oben oder zu den Seiten, Abb. **5**, Seite 7).

Nr. in Abb. 5 , Seite 7	Erläuterung
1	kalte Zuluft
2	beheizte Abluft
3	Freiraum über dem Mini-Kühlschrank, wenn die Abluft nicht ausreichend nach oben oder zur Seite zirkulieren kann

- Beachten Sie die folgenden Einbaumaße:
 - DS200: Abb. **19**, Seite 12
 - DS300: Abb. **20**, Seite 13
 - DS400: Abb. **21**, Seite 14
 - DS600: Abb. **22**, Seite 15
- Halten Sie Öffnungen (Lüftungsschlitze usw.) im Gehäuse oder der Einbaustruktur frei von Gegenständen.

6.2 Freistehende Version aufstellen

Beachten Sie folgende Hinweise, wenn Sie den Mini-Kühlschrank in einer freistehenden Position aufstellen:

- Stellen Sie sicher, dass die Abdeckung zum Schutz der heißen Bauteile des Kühlgerätes vorhanden ist.
- Stellen Sie sicher, dass der Bodenrahmen vorhanden ist, um eine ausreichende Luftzirkulation zu gewährleisten.
- ▶ Stellen Sie den Mini-Kühlschrank auf eine ebene Fläche. Prüfen Sie dies mit einer Wasserwaage.

6.3 Einbauversion aufstellen



VORSICHT! Gesundheitsgefahr

Um eine Gefährdung durch Instabilität des Gerätes zu vermeiden, muss dieses gemäß den Anweisungen befestigt werden.

Beachten Sie die folgenden Hinweise, wenn Sie den Mini-Kühlschrank in einen Schrank einbauen wollen:

- Stellen Sie den Mini-Kühlschrank auf eine ebene Fläche. Prüfen Sie dies mit einer Wasserwaage.
- Halten Sie 20 mm Abstand zu den Wänden ein.
- Die Luft muss ungehindert zirkulieren können (Abb. **5**, Seite 7).
- Das gesamte Aggregat muss wie gezeigt in den Lüftungskanal hineinragen.
- Die Luft im Lüftungskanal darf nicht durch andere Wärmequellen erwärmt werden.
- Das Lüftungsgitter muss einen Querschnitt von mindestens 200 cm² aufweisen.

Gehen Sie wie folgt vor, um den Mini-Kühlschrank aufzustellen (Abb. **6**, Seite 8):

- Bringen Sie den Mini-Kühlschrank in eine aufrechte Stellung und schrauben Sie die Füße des Geräts an.

6.4 Türgriff montieren (optional)

- Gehen Sie wie gezeigt vor, um den Türgriff zu montieren (Abb. **7**, Seite 8).
- Gehen Sie wie gezeigt vor, um den Türgriff zu demontieren (Abb. **8**, Seite 8).

6.5 Türanschlag ändern



WARNUNG! Gefahr durch Stromschlag

Ziehen Sie vor allen Arbeiten am Mini-Kühlschrank den Netzstecker.



ACHTUNG! Beschädigungsgefahr!

Der Mini-Kühlschrank darf nur kurzzeitig auf der Seite liegen.

Sie können den Türanschlag so wechseln, dass die Tür nach links statt nach rechts aufschwingt.

- Gehen Sie wie gezeigt vor, um den Türanschlag zu wechseln:
 - **Freistehende Version:** Abb. **9**, Seite 9 bis Abb. **13**, Seite 10
 - **Einbauversion:** Abb. **10**, Seite 9 bis Abb. **12**, Seite 9

6.6 Türdekor wechseln



ACHTUNG! Beschädigungsgefahr

Der Mini-Kühlschrank darf nur kurzzeitig auf der Seite liegen.

Das Türdekor hat folgende Abmessungen:

Modell	Breite	Höhe	Stärke
DS200	383 ±0,5 mm	310 ±0,5 mm	2 mm
DS300	383 ±0,5 mm	395 ±0,5 mm	
DS400	383 ±0,5 mm	395 ±0,5 mm	
DS600	449 ±0,5 mm	408 ±0,5 mm	

- Demontieren Sie ggf. den Türgriff (Kapitel „Türgriff montieren (optional)“ auf Seite 40).
- Entfernen Sie ggf. den Sicherungsring des Türschlosses.
- Gehen Sie wie gezeigt vor, um die Dekorplatte zu entfernen (Abb. **14**, Seite 10).
- Gehen Sie wie gezeigt vor, um die Dekorplatte zu montieren (Abb. **15**, Seite 10).

7 Mini-Kühlschrank verwenden



ACHTUNG! Beschädigungsgefahr

- Achten Sie darauf, dass Sie Getränke oder Speisen in Glasbehältern nicht zu stark abkühlen. Beim Gefrieren dehnen sich Getränke oder flüssige Speisen aus. Dadurch können die Glasbehälter zerstört werden.
- Achten Sie darauf, dass sich nur Gegenstände bzw. Waren im Mini-Kühlschrank befinden, die auf die gewählte Temperatur gekühlt werden dürfen.

7.1 Vor dem ersten Gebrauch

Bevor Sie den neuen Mini-Kühlschrank in Betrieb nehmen, sollten Sie ihn aus hygienischen Gründen innen und außen mit einem feuchten Tuch reinigen (siehe auch Kapitel „Reinigung und Pflege“ auf Seite 43).

7.2 Energie sparen

- Öffnen Sie den Mini-Kühlschrank nur so oft und so lange wie nötig.
- Lassen Sie warme Speisen erst abkühlen, bevor Sie sie im Gerät kühl halten.
- Vermeiden Sie eine unnötig tiefe Innentemperatur.
- Für einen optimalen Energieverbrauch positionieren Sie die Regale und Schubladen entsprechend ihrer Position bei der Auslieferung.
- Prüfen Sie in regelmäßigen Abständen, ob die Dichtung der Tür noch richtig sitzt.
- Befreien Sie den Kondensator in regelmäßigen Abständen von Staub und Verunreinigungen.

7.3 Tragroste positionieren

DS200, DS300

Gehen Sie vor wie dargestellt (Abb. **16**, Seite 11).

DS400, DS600

Gehen Sie vor wie dargestellt (Abb. **17**, Seite 11).

7.4 Einschalten

- ▶ Stecken Sie den Netzstecker in die Steckdose.
- ✓ Der Mini-Kühlschrank beginnt einen Selbsttest.
- ✓ Die LED blinkt zunächst einige Male und leuchtet dann dauerhaft.
- ✓ Der Mini-Kühlschrank ist eingeschaltet.



HINWEIS

Nach dem Einschalten benötigt der Mini-Kühlschrank einige Stunden, um die Kühltemperatur im Kühlraum zu erreichen.

7.5 Einstellen der Temperatur

Um Lebensmittelverschwendung zu vermeiden, beachten Sie bitte Folgendes:

- Halten Sie Temperaturschwankungen so gering wie möglich. Öffnen Sie den Kühlschrank nur so oft und so lange wie nötig. Lagern Sie Lebensmittel so, dass die Luft immer noch gut zirkulieren kann.

- Passen Sie die Temperatur der Menge und Art der Lebensmittel an.
 - Lagern Sie die verschiedenen Lebensmittel wie in den Abbildungen gezeigt.
 - Lebensmittel nehmen leicht Gerüche auf und geben Gerüche oder Aromen ab. Lagern Sie Lebensmittel daher stets abgedeckt oder in geschlossenen Behältern bzw. Flaschen.
- Stellen Sie den Thermostatregler (Abb. **18**, Seite 12) auf die mittlere Position. Je nach Befüllung und Aufstellbedingungen kann eine andere Position erforderlich sein. Ein Drehen des Reglers in Richtung des großen Symbols erhöht die Kühlleistung; ein Drehen in Richtung des kleineren Symbols verringert die Kühlleistung.

7.6 Ausschalten und Lagerung

Wenn Sie den Mini-Kühlschrank für längere Zeit stilllegen wollen, gehen Sie wie folgt vor:

- Ziehen Sie den Netzstecker aus der Steckdose.
- Reinigen Sie den Mini-Kühlschrank (siehe Kapitel „Reinigung und Pflege“ auf Seite 43).
- Lassen Sie die Tür geöffnet, um zu verhindern, dass sich Gerüche bilden.

7.7 LED auswechseln



ACHTUNG! Beschädigungsgefahr

Die Lampe darf nur durch den Hersteller, einen Kundendienst oder eine ähnlich qualifizierte Person ersetzt werden, um um Beschädigungen zu vermeiden.

8 Reinigung und Pflege



WARNUNG! Lebensgefahr durch Stromschlag

Trennen Sie vor jeder Reinigung und Pflege den Kühlschrank vom Netz.



ACHTUNG! Beschädigungsgefahr

- Verwenden Sie zur Reinigung keine scharfen Reinigungsmittel oder harten Gegenstände, da diese den Kühlschrank beschädigen können.
- Verwenden Sie nie harte oder spitze Werkzeuge zum Entfernen von Eisschichten oder zum Lösen festgefrorener Gegenstände.
- Verwenden Sie keine mechanischen oder andere Hilfsmittel, um den Abtauvorgang zu beschleunigen.

- ▶ Reinigen Sie den Kühlschrank regelmäßig und sobald er verschmutzt ist mit einem feuchten Tuch.
- ▶ Achten Sie darauf, dass kein Wasser in die Dichtungen tropft. Dies kann die Elektronik beschädigen.
- ▶ Wischen Sie den Kühlschrank nach dem Reinigen mit einem Tuch trocken.
- ▶ Prüfen Sie den Tauwasserabfluss regelmäßig.

Reinigen Sie den Tauwasserabfluss, falls nötig. Wenn er verstopft ist, sammelt sich das Tauwasser auf dem Boden des Kühlschranks.

9 Störungsbeseitigung

Störung	Mögliche Ursache	Lösung
Keine Kühlung, Absorbereinheit kalt	Netzstecker ist nicht eingesteckt	Stecken Sie den Netzstecker in die Steckdose.
	Keine Spannung an der Steckdose	Prüfen Sie die Haushaltssicherung.
	Elektronik oder Sensoren defekt	Zugelassener Kundendienst: Installieren Sie eine neue Elektronik oder neue Sensoren.
	Heizpatrone defekt	Zugelassener Kundendienst: Installieren Sie eine neue Heizpatrone.
	Abtauphase aktiv	Keine Aktion erforderlich

Störung	Mögliche Ursache	Lösung
Keine Kühlung, Absorbiertheit warm	Kühlschrank steht nicht waagrecht	Richten Sie den Kühlschrank mit einer Wasserwaage aus.
	Kühlschrank wurde vor kurzem eingeschaltet	Prüfen Sie die Kühlung nach 5 bis 6 Stunden erneut.
	Kühlaggregat defekt	Zugelassener Kundendienst: Tauschen Sie den Kühlschrank aus.
Schlechte Kühlleistung	Kühlschrank ist direkter Sonneneinstrahlung ausgesetzt	Nehmen Sie den Kühlschrank aus dem direkten Sonnenlicht.
	Kühlschranktür schließt nicht dicht	Prüfen Sie die Abstände (Abb. 5 , Seite 7). Zugelassener Kundendienst: Tauschen Sie die Türdichtung aus.
	Kühlschrank wurde kürzlich befüllt	Prüfen Sie die Kühlung nach 5 bis 6 Stunden erneut.
Frostbildung im Kühlraum	Tür des Kühlschranks schließt nicht dicht	Prüfen Sie die Abstände (Abb. 5 , Seite 7) Zugelassener Kundendienst: Tauschen Sie die Türdichtung aus
	Kühlschrank überladen	<ul style="list-style-type: none"> ➤ Trennen Sie das Gerät für mindestens 10 s von der Stromversorgung. ➤ Schließen Sie das Gerät an Dadurch wird die Elektronik zurückgesetzt und das Gerät sollte wieder normal arbeiten. Wenn die LEDs wieder zu blinken beginnen, liegt ein schwerer Fehler vor: <ul style="list-style-type: none"> ➤ Wenden Sie sich an einen zugelassenen Kundendienstbetrieb.
Die Tür ist nicht richtig geschlossen.		
Keine ausreichende Luftzirkulation für das Kühlaggregat		
Kühlschrank steht nicht waagrecht		

10 Gewährleistung

Es gilt die gesetzliche Gewährleistungsfrist. Sollte das Produkt defekt sein, wenden Sie sich bitte an Ihren Fachhändler oder an die Niederlassung des Herstellers in Ihrem Land (siehe dometic.com/dealer).

Bitte senden Sie bei einem Reparatur- bzw. Garantieantrag folgende Unterlagen mit dem Produkt ein:

- eine Kopie der Rechnung mit Kaufdatum,
- einen Reklamationsgrund oder eine Fehlerbeschreibung.


11 Entsorgung

- Geben Sie das Verpackungsmaterial möglichst in den entsprechenden Recycling-Müll.



Wenn Sie das Produkt endgültig außer Betrieb nehmen, informieren Sie sich bitte beim nächsten Recyclingcenter oder bei Ihrem Fachhändler über die zutreffenden Entsorgungsvorschriften.

12 Technische Daten

	DS200	DS300	DS400	DS600
Eingangsspannung:	220 – 240 V			
Nenningangsleistung:	65 W			
Gesamtinhalt:	23 l	28 l	34 l	45 l
Energieeffizienzklasse:	D			
Energieverbrauch:				
– FS:	0,793 kWh/ 24 h	0,801 kWh/ 24 h	0,807 kWh/ 24 h	0,821 kWh/ 24 h
– BI:	0,809 kWh/ 24 h	0,817 kWh/ 24 h	0,823 kWh/ 24 h	0,836 kWh/ 24 h
Klimaklasse:	N		SN	
Bestimmungsgemäßer Gebrauch bei Umgebungstemperatur:	+10 °C bis +32 °C			
Schallemissionen:	0 dB(A)			
Treibmittel:	Cyclopentan			
Kältemittel:	Ammoniak			
Abmessungen H x B x T:	Abb. 19 , Seite 12	Abb. 20 , Seite 13	Abb. 21 , Seite 14	Abb. 22 , Seite 15
Gewicht:	14 kg	15 kg	17 kg	20 kg
Prüfung/Zertifikat:				

Die aktuelle EU-Konformitätserklärung für Ihr Gerät erhalten Sie auf der jeweiligen Produktseite auf dometic.com oder direkt über den Hersteller (siehe dometic.com/dealer).

Weitere Produktinformationen sind über den QR-Code auf dem Energieetikett in den Abbildungen oder unter eprel.ec.europa.eu abrufbar.

Veuillez lire et suivre attentivement l'ensemble des instructions, directives et avertissements figurant dans ce manuel afin de vous assurer que vous installez, utilisez et entretenez le produit correctement à tout moment. Ces instructions DOIVENT rester avec ce produit.

En utilisant le produit, vous confirmez par la présente que vous avez lu attentivement l'ensemble des instructions, directives et avertissements et que vous comprenez et acceptez de respecter les modalités et conditions énoncées dans le présent document. Vous acceptez d'utiliser ce produit uniquement pour l'usage et l'application prévus et conformément aux instructions, directives et avertissements figurant dans le manuel du produit, ainsi qu'à toutes les lois et réglementations applicables. Si vous ne lisez et ne respectez pas les instructions et les avertissements figurant dans ce manuel, vous risquez de vous blesser ou de blesser d'autres personnes, d'endommager votre produit ou d'endommager d'autres biens à proximité. Le présent manuel produit, y compris les instructions, directives et avertissements, ainsi que la documentation associée peuvent faire l'objet de modifications et de mises à jour. Pour obtenir des informations actualisées sur le produit, rendez-vous sur documents.domestic.com, domestic.com.

Sommaire

1	Explication des symboles	48
2	Consignes de sécurité	49
3	Contenu de la livraison	52
4	Usage conforme	52
5	Description technique	53
6	Installation et raccordement du mini réfrigérateur	55
7	Utilisation du mini réfrigérateur	57
8	Nettoyage et maintenance	59
9	Guide de dépannage	60
10	Garantie	62
11	Mise au rebut	62
12	Caractéristiques techniques	63

1 Explication des symboles



DANGER !

Consigne de sécurité signalant une situation dangereuse qui entraîne la mort ou de graves blessures si elle n'est pas évitée.



AVERTISSEMENT !

Consigne de sécurité signalant une situation dangereuse qui peut entraîner la mort ou de graves blessures si elle n'est pas évitée.

**ATTENTION !**

Consigne de sécurité signalant une situation dangereuse qui peut entraîner des blessures de gravité moyenne ou légère si elle n'est pas évitée.

**AVIS !**

Remarque signalant une situation qui peut entraîner des dommages matériels si elle n'est pas évitée.

**REMARQUE**

Informations complémentaires sur l'utilisation du produit.

2 Consignes de sécurité

2.1 Sécurité générale



AVERTISSEMENT ! Le non-respect de ces mises en garde peut entraîner des blessures graves, voire mortelles.

Risque d'électrocution

- Assurez-vous que le mini réfrigérateur a été installé par un technicien qualifié conformément au manuel d'installation de Dometic.
- N'utilisez pas le mini réfrigérateur s'il présente des dégâts visibles.
- Si le câble de raccordement du mini réfrigérateur est endommagé, il doit être remplacé par le fabricant, un agent de maintenance ou une personne de qualification similaire, afin d'éviter tout danger.
- Seul un opérateur qualifié est habilité à effectuer des réparations sur le mini réfrigérateur. Toute réparation mal effectuée risquerait d'entraîner de graves dangers.

Risque d'incendie

- Le réfrigérant du circuit frigorifique s'enflamme facilement.
En cas d'endommagement du circuit frigorifique :
 - Éteignez le mini réfrigérateur.
 - Évitez toute flamme nue et/ou étincelle.
 - Aérez bien la pièce.

Risque d'explosion

- Ne stockez aucune substance explosive (comme des aérosols contenant des gaz combustibles, par exemple) dans le mini réfrigérateur.

Risque pour la santé

- N'ouvrez jamais l'unité de l'absorbeur. Il se trouve sous haute pression et peut provoquer des blessures s'il est ouvert.
- Ce mini réfrigérateur peut être utilisé par des enfants âgés de 8 ans et plus et des personnes ayant des capacités physiques, sensorielles ou mentales réduites ou un manque d'expérience et de connaissances, s'ils sont sous surveillance ou ont reçu des instructions sur l'utilisation du réfrigérateur en toute sécurité et comprennent les risques impliqués.
- Les enfants ne doivent pas jouer avec le mini réfrigérateur.
- Le nettoyage et l'entretien ne doivent pas être effectués par des enfants sans surveillance.
- Les enfants âgés de 3 à 8 ans peuvent remplir et vider le mini réfrigérateur.

**ATTENTION ! Le non-respect de ces mises en garde peut entraîner des blessures légères ou de gravité modérée.****Risque d'écrasement**

- Ne touchez pas la charnière.

Risque pour la santé

- Les produits alimentaires doivent être conservés dans leurs emballages originaux ou dans des récipients appropriés.

**AVIS ! Risque d'endommagement**

- Vérifiez que la tension indiquée sur la plaque signalétique correspond à l'alimentation électrique dont vous disposez.
- Ne stockez aucune substance corrosive ou contenant des solvants dans le mini réfrigérateur.
- L'isolation de l'appareil de réfrigération contient des gaz inflammables et nécessite des procédures d'élimination spéciales. À la fin de son cycle de vie, remettez l'appareil de réfrigération à un centre de recyclage approprié.
- Veillez à ce que l'ouverture d'évacuation soit toujours propre.
- N'ouvrez jamais le circuit frigorifique.
- Ne transportez le mini réfrigérateur qu'en position verticale.

2.2 Utiliser le mini réfrigérateur en toute sécurité



DANGER ! Le non-respect de cette mise en garde entraînera des blessures graves, voire mortelles.

Risque d'électrocution

- Ne touchez jamais les lignes électriques dénudées avec les mains nues.



ATTENTION ! Le non-respect de ces mises en garde peut entraîner des blessures légères ou de gravité modérée.

Risque d'électrocution

- Avant de mettre le mini réfrigérateur en service, assurez-vous que la ligne d'alimentation électrique et le connecteur sont secs.

Risque pour la santé

- Ne stockez aucun objet ou aliment susceptible de geler la température sélectionnée dans le mini réfrigérateur.
- Les aliments doivent être conservés dans leur emballage d'origine ou dans des récipients appropriés.
- Une ouverture prolongée de la porte peut entraîner une augmentation significative de la température dans les compartiments du mini réfrigérateur.
- Nettoyez régulièrement les surfaces qui entrent en contact avec les aliments, ainsi que les systèmes de drainage accessibles.
- Si le mini réfrigérateur reste vide pendant une période prolongée :
 - Éteignez le mini réfrigérateur.
 - Dégivrez le mini réfrigérateur.
 - Nettoyez et séchez le mini réfrigérateur.
 - Laissez la porte ouverte pour éviter que des moisissures ne se forment à l'intérieur du mini réfrigérateur.



AVIS ! Risque d'endommagement

- Entreposez uniquement les objets lourds, tels que des bouteilles ou des canettes, dans la porte ou sur la clayette inférieure du mini réfrigérateur.
- N'exploitez aucun appareil électrique à l'intérieur du mini réfrigérateur, sauf si le fabricant le recommande.
- Ne placez pas l'appareil près de flammes ou d'autres sources de chaleur (chauffage, rayons solaires, fours à gaz, etc.).
- Assurez-vous que les orifices d'aération ne sont pas recouverts.

- Ne plongez jamais le mini réfrigérateur dans l'eau.
- Tenez le mini réfrigérateur et les câbles à l'abri de la chaleur et de l'humidité.
- Veillez à ce que la nourriture ne touche pas les parois du compartiment de réfrigération.

3 Contenu de la livraison

Quantité	Description
1	Mini réfrigérateur
1	Instructions de montage et de service

4 Usage conforme

L'appareil de réfrigération (également appelé mini réfrigérateur) est conçu pour fonctionner dans des bâtiments fermés, tels que :

- Dans les réfectoires des magasins, bureaux et autres lieux de travail
- Dans le secteur agricole
- Dans les hôtels, motels et autres lieux d'hébergement
- Dans les chambres d'hôtes
- Dans les entreprises de restauration ou les activités de gros similaires

Le mini réfrigérateur n'est pas adapté à une installation dans les caravanes ou mobile-homes.

Ce mini réfrigérateur est destiné à être utilisé comme appareil de réfrigération intégré ou autonome. Consultez les instructions d'installation.

Le mini réfrigérateur est conçu exclusivement pour le refroidissement et le stockage de boissons et d'aliments dans des récipients fermés, ainsi que des aliments frais.

Le mini réfrigérateur n'est pas adapté au stockage de médicaments ni à la congélation d'aliments.

Le mini réfrigérateur convient uniquement à l'usage et à l'application prévus, conformément au présent manuel d'instructions.

Ce manuel fournit les informations nécessaires à l'installation et/ou à l'utilisation correcte du mini réfrigérateur. Une installation, une utilisation ou un entretien inappropriés entraînera des performances insatisfaisantes et une éventuelle défaillance.

Le fabricant décline toute responsabilité en cas de blessure ou de dommage résultant :

- d'un montage ou d'un raccordement incorrect, y compris d'une surtension
- d'un entretien inadapté ou de l'utilisation de pièces de rechange autres que les pièces de rechange d'origine fournies par le fabricant
- des modifications apportées au produit sans autorisation explicite du fabricant ;
- des usages différents de ceux décrits dans le manuel.

Dometic se réserve le droit de modifier l'apparence et les spécifications produit.

5 Description technique

L'appareil est un mini-réfrigérateur avec refroidissement par absorption. Le réfrigérant utilisé est de l'ammoniac. Les matériaux utilisés n'altèrent pas la qualité des aliments. Le circuit frigorifique est sans entretien.

Le mini réfrigérateur est disponible en version autonome (**FS**) et en version encastrable (**BI**).

La **version autonome** est destinée à une utilisation au sol. Le panneau isolant du groupe de refroidissement protège les parties chaudes des groupes de refroidissement. Le châssis inférieur est équipé d'orifices de ventilation pour garantir une circulation d'air appropriée. En retirant le châssis inférieur et le panneau isolant du groupe de refroidissement, le mini réfrigérateur peut être utilisé en version encastrée.

La **version encastrable** est destinée à être montée dans un meuble. Elle n'est pas équipée de châssis inférieur ni de panneau isolant pour le groupe de refroidissement.

La température se règle grâce à la commande thermostatique située à l'intérieur du mini réfrigérateur.

L'électronique vérifie le fonctionnement du mini réfrigérateur après chaque phase de dégivrage en mesurant la baisse de température de l'évaporateur. Si elle enregistre un problème, elle éteint le mini réfrigérateur et l'éclairage intérieur clignote en permanence.

Le mini réfrigérateur est équipé d'une fonction de dégivrage automatique. Chaque phase de dégivrage dure 2 heures. La première phase de dégivrage commence 39 heures après la mise en marche de l'appareil de réfrigération. Ensuite, une phase de dégivrage est effectuée toutes les 22 heures.

L'eau de dégivrage est acheminée par un tube d'écoulement du canal d'égouttement vers un évaporateur situé en bas, à l'arrière du mini réfrigérateur. L'eau de dégivrage s'évapore automatiquement dans l'air en circulation de sorte que le récipient n'a pas besoin d'être vidé.

Deux capteurs de porte vérifient si la porte est ouverte.

5.1 Composants

Les différents types de mini réfrigérateur sont représentés sur les illustrations suivantes :

- DS200 : fig. **1**, page 3
- DS300 : fig. **2**, page 4
- DS400 : fig. **3**, page 5
- DS600 : fig. **4**, page 6

Pos.	Explication
1	Thermostat
2	Lumière intérieure
3	Couvercle pour le groupe frigorifique (uniquement sur les modèles autonomes)
4	Évaporateur
5	Trappe
6	Verrou de porte (option)
7	Capteur d'air
8	Châssis inférieur (uniquement pour les modèles autonomes)
9	Clayette
10	Capteur d'évaporateur
11	Capteur de porte
12	Inserts de porte

6 Installation et raccordement du mini réfrigérateur

6.1 Instructions pour l'installation du mini réfrigérateur

Observez les consignes suivantes en ce qui concerne l'installation du mini réfrigérateur :

- Installez le mini réfrigérateur de manière à ce que l'air chaud puisse bien s'échapper (soit par le haut, soit par les côtés, fig. **5**, page 7).

N° sur la fig. 5 , page 7	Explication
1	Air entrant froid
2	Évacuation de l'air chaud
3	Dégagement au-dessus du mini réfrigérateur si l'air d'échappement ne peut pas circuler correctement vers le haut ou sur le côté

- Observez les dimensions de montage suivantes :
 - DS200 : fig. **19**, page 12
 - DS300 : fig. **20**, page 13
 - DS400 : fig. **21**, page 14
 - DS600 : fig. **22**, page 15
- Ne bouchez pas les ouvertures (fentes d'aération, etc.) du bâti ou de la structure d'encastrement.

6.2 Installation de la version autonome

Observez les points suivants pour installer le mini réfrigérateur de manière autonome :

- Assurez-vous que le couvercle de protection des composants chauds du groupe frigorifique est présent.
- Veillez à ce que le cadre du plancher soit en place pour assurer une circulation d'air adéquate.
- Placez le mini réfrigérateur sur une surface plane et stable. Vérifiez que l'appareil est correctement positionné à l'aide d'un niveau à bulle.

6.3 Installation de la version intégrée



ATTENTION ! Risque pour la santé

Pour éviter tout risque dû à l'instabilité de l'appareil, celui-ci doit être fixé conformément aux instructions.

Respectez les instructions suivantes si vous souhaitez installer le mini réfrigérateur dans un meuble :

- Placez le mini réfrigérateur sur une surface plane et stable. Vérifiez que l'appareil est correctement positionné à l'aide d'un niveau à bulle.
- Maintenez un espace libre de 20 mm par rapport aux murs.
- L'air doit pouvoir circuler librement (fig. **5**, page 7).
- Tout le groupe de refroidissement doit s'étendre dans le conduit de ventilation.
- L'air présent dans le conduit de ventilation ne doit pas être chauffé par d'autres sources de chaleur.
- La section de la grille de ventilation doit être d'au moins 200 cm².

Procédez de la manière suivante pour installer le mini réfrigérateur (fig. **6**, page 8) :

- Installez le mini réfrigérateur et vissez les pieds de l'appareil.

6.4 Montage de la poignée de porte (option)

- Procédez comme indiqué pour monter la poignée de porte (fig. **7**, page 8).
- Procédez comme indiqué pour démonter la poignée de porte (fig. **8**, page 8).

6.5 Modification du côté d'ouverture de la porte



AVERTISSEMENT ! Risque d'électrocution

Avant toute intervention sur le mini réfrigérateur, débranchez la fiche d'alimentation.



AVIS ! Risque d'endommagement !

Le mini réfrigérateur ne doit être couché que brièvement sur le côté.

Vous pouvez modifier le côté d'ouverture de la porte de sorte que la porte s'ouvre vers la gauche plutôt que vers la droite.

- Procédez comme indiqué pour changer la charnière de la porte :
 - **Version autonome** : fig. **9**, page 9 à fig. **13**, page 10
 - **Version encastrable** : fig. **10**, page 9 à fig. **12**, page 9

6.6 Changement du décor de la porte



AVIS ! Risque d'endommagement

Le mini réfrigérateur ne doit être couché que brièvement sur le côté.

Le décor de la porte a les dimensions suivantes :

Modèle	Largeur	Hauteur	Épaisseur
DS200	383 ± 0,5 mm	310 ± 0,5 mm	2 mm
DS300	383 ± 0,5 mm	395 ± 0,5 mm	
DS400	383 ± 0,5 mm	395 ± 0,5 mm	
DS600	449 ± 0,5 mm	408 ± 0,5 mm	

- Si nécessaire, démontez la poignée de la porte (chapitre « Montage de la poignée de porte (option) », page 56).
- Si nécessaire, retirez l'anneau de retenue de la serrure de la porte.
- Procédez comme indiqué pour retirer la plaque de décor (fig. 14, page 10).
- Procédez comme indiqué pour monter la plaque de décor (fig. 15, page 10).

7 Utilisation du mini réfrigérateur



AVIS ! Risque d'endommagement

- Veillez à ce que les boissons ou aliments placés dans des récipients en verre ne soient pas soumis à des températures trop basses. En gelant, le volume des boissons et aliments liquides augmente. Les récipients en verre risquent alors de se casser.
- Ne stockez aucun objet ou aliment susceptible de geler la température sélectionnée dans le mini réfrigérateur.

7.1 Avant la première utilisation

Avant la mise en service du mini réfrigérateur neuf, nous vous conseillons, pour des raisons d'hygiène, d'en nettoyer l'intérieur et l'extérieur à l'aide d'un tissu humide (voir aussi chapitre « Nettoyage et maintenance », page 59).

7.2 Économie d'énergie

- Ouvrez le mini réfrigérateur uniquement lorsque c'est nécessaire et le moins longtemps possible.
- Laissez refroidir les aliments chauds avant de les placer dans l'appareil.
- Évitez une température intérieure inutilement basse.
- Pour une consommation d'énergie optimale, positionnez les clayettes et les tiroirs conformément à leur position à la livraison.
- Vérifiez régulièrement que le joint de la porte est correctement positionné.
- Nettoyez régulièrement le condenseur pour enlever la poussière et les salissures.

7.3 Positionnement des clayettes

DS200, DS300

Procédez comme indiqué (fig. **16**, page 11).

DS400, DS600

Procédez comme indiqué (fig. **17**, page 11).

7.4 Mise en marche

- ▶ Branchez le connecteur d'alimentation correctement sur la prise secteur.
- ✓ Le mini réfrigérateur commence un autotest.
- ✓ La LED clignote d'abord plusieurs fois, puis reste allumée.
- ✓ Le mini réfrigérateur est en marche.



REMARQUE

Après la mise en marche du mini réfrigérateur, plusieurs heures sont nécessaires pour que le compartiment atteigne la température de refroidissement réglée.

7.5 Réglage de la température

Pour éviter de gâcher des aliments, notez les éléments suivants :

- Évitez autant que possible les variations de température. Ouvrez le réfrigérateur uniquement lorsque c'est nécessaire et le moins longtemps possible. Entrepo- sez les aliments de sorte que l'air puisse circuler librement entre eux.

- Ajustez la température en fonction de la quantité et de la nature des aliments.
 - Entreposez les divers types d'aliments comme indiqué sur les figures.
 - Les aliments peuvent facilement absorber ou dégager des odeurs. Entreposez toujours les aliments dans des conteneurs/bouteilles couverts ou fermés.
- Réglez la commande thermostatique (fig. **18**, page 12) sur la position centrale. Selon les conditions de remplissage et d'installation, une position différente peut être nécessaire. Tourner le régulateur vers le grand symbole augmente le refroidissement ; le tourner vers le petit symbole réduit le refroidissement.

7.6 Mise à l'arrêt et stockage

Si vous voulez mettre le mini réfrigérateur hors service pendant une période prolongée, procédez de la façon suivante :

- Débranchez le connecteur de la prise.
- Nettoyez le mini réfrigérateur (voir chapitre « Nettoyage et maintenance », page 59).
- Laissez la porte entrouverte pour éviter la formation d'odeurs.

7.7 Remplacement de la LED



AVIS ! Risque d'endommagement

La lampe doit uniquement être remplacée par le fabricant, un technicien du service après-vente ou toute autre personne de qualification similaire afin d'éviter tout danger.

8 Nettoyage et maintenance



AVERTISSEMENT ! Danger de mort par électrocution

Avant toute opération de nettoyage ou d'entretien du réfrigérateur, veillez à débrancher celui-ci du secteur.



AVIS ! Risque d'endommagement

- N'utilisez ni détergents abrasifs, ni objets durs pour le nettoyage, ceux-ci pouvant endommager le réfrigérateur.
- N'utilisez jamais d'outils durs ou pointus pour enlever les couches de glace ou pour détacher des objets pris dans le givre.
- N'utilisez aucun moyen mécanique ou autre pour accélérer la procédure de dégivrage.

- ▶ Nettoyez le réfrigérateur régulièrement et dès qu'il est sale, avec un chiffon humide.
- ▶ Veillez à ce que de l'eau ne goutte pas sur les joints. Cela risque d'endommager les composants électroniques.
- ▶ Essayez le réfrigérateur avec un chiffon après l'avoir nettoyé.
- ▶ Vérifiez régulièrement l'écoulement de l'eau de dégivrage.
Nettoyez l'écoulement de l'eau de dégivrage si nécessaire. S'il est bouché, l'eau de dégivrage s'accumule en bas du réfrigérateur.

9 Guide de dépannage

Panne	Cause possible	Solution
Pas de refroidissement, unité d'absorption froide	Le connecteur d'alimentation n'est pas branché	Branchez le connecteur dans la prise secteur.
	La prise n'est pas alimentée	Vérifiez le fusible du domicile.
	Composants électroniques ou capteurs défectueux	Agent de service autorisé : Remplacer les composants électroniques ou les capteurs.
	Cartouche chauffante défectueuse	Agent de service autorisé : Installer une nouvelle cartouche chauffante.
	Phase de décongélation active	Aucune action requise

Panne	Cause possible	Solution
Pas de refroidissement, unité d'absorption chaude	Le réfrigérateur n'est pas à niveau	Positionnez le réfrigérateur avec un niveau à bulle.
	Le réfrigérateur a été allumé récemment	Vérifier la température après 5 à 6 heures.
	Unité de refroidissement défectueuse	Agent de service autorisé : Remplacer le réfrigérateur.
Refroidissement insuffisant	Le réfrigérateur est exposé à la lumière directe du soleil	Mettre le réfrigérateur à l'abri de la lumière directe du soleil.
	La porte du réfrigérateur ne ferme pas de manière étanche	Vérifier les dégagements (fig. 5 , page 7). Agent de service autorisé : Remplacer le joint de la porte.
	Le réfrigérateur a été rempli récemment	Vérifier la température après 5 à 6 heures.
Formation de givre dans le compartiment du réfrigérateur	La porte du réfrigérateur n'est pas fermée de manière étanche	Vérifier les dégagements (fig. 5 , page 7). Agent de service autorisé : Remplacer le joint de la porte
	Réfrigérateur surchargé	➤ Débrancher l'appareil de l'alimentation électrique pendant au moins 10 s.
Pas de refroidissement, l'éclairage intérieur clignote	La porte n'est pas correctement fermée.	➤ Raccorder l'appareil
	Pas de circulation d'air adéquate pour le groupe de refroidissement	Ceci réinitialise l'électronique et l'appareil devrait reprendre son fonctionnement normal.
	Le réfrigérateur n'est pas à niveau	Si les LED se remettent à clignoter, c'est qu'un défaut majeur s'est produit : ➤ Contacter un service après-vente agréé.

10 Garantie

La période de garantie légale s'applique. Si le produit est défectueux, veuillez contacter votre revendeur ou la filiale locale du fabricant (voir dometic.com/dealer).

Pour toutes réparations ou autres prestations de garantie, veuillez joindre à l'appareil les documents suivants :

- une copie de la facture avec la date d'achat
- un motif pour la réclamation ou une description du dysfonctionnement


11 Mise au rebut

- Jetez les emballages dans les conteneurs de déchets recyclables prévus à cet effet.



Lorsque vous mettez votre produit définitivement hors service, informez-vous auprès du centre de recyclage le plus proche ou auprès de votre revendeur spécialisé sur les prescriptions relatives au retraitement des déchets.

12 Caractéristiques techniques

	DS200	DS300	DS400	DS600
Tension d'alimentation :	220 – 240 V			
Alimentation d'entrée nominale :	65 W			
Volume total :	23 l	28 l	34 l	45 l
Classe d'efficacité énergétique :	D			
Consommation électrique :				
– FS:	0,793 kWh/ 24 h	0,801 kWh/ 24 h	0,807 kWh/ 24 h	0,821 kWh/ 24 h
– BI:	0,809 kWh/ 24 h	0,817 kWh/ 24 h	0,823 kWh/ 24 h	0,836 kWh/ 24 h
Classe climatique :	N		SN	
Utilisation prévue à température ambiante :	+10 °C à +32 °C			
Émissions sonores :	0 dB(A)			
Fluide moteur :	Cyclopentane			
Réfrigérant :	Ammoniac			
Dimensions h x l x p :	fig. 19 , page 12	fig. 20 , page 13	fig. 21 , page 14	fig. 22 , page 15
Poids :	14 kg	15 kg	17 kg	20 kg
Contrôle/certification :				

Vous trouverez la déclaration de conformité UE actuelle pour votre appareil sur la page de produit concernée sur dometic.com ou directement auprès du fabricant (voir dometic.com/dealer).

Pour plus d'informations sur le produit, scannez le code QR figurant sur l'étiquette énergétique illustrée dans ce manuel ou rendez-vous sur eprel.ec.europa.eu.

Lea atentamente estas instrucciones y siga las indicaciones, directrices y advertencias incluidas en este manual para asegurarse de que instala, utiliza y mantiene correctamente el producto en todo momento. Estas instrucciones DEBEN permanecer con este producto.

Al utilizar el producto, usted confirma que ha leído cuidadosamente todas las instrucciones, directrices y advertencias, y que entiende y acepta cumplir los términos y condiciones aquí establecidos. Usted se compromete a utilizar este producto solo para el propósito y la aplicación previstos y de acuerdo con las instrucciones, directrices y advertencias establecidas en este manual del producto, así como de acuerdo con todas las leyes y reglamentos aplicables. La no lectura y observación de las instrucciones y advertencias aquí expuestas puede causar lesiones a usted o a terceros, daños en el producto o daños en otras propiedades cercanas. Este manual del producto, incluyendo las instrucciones, directrices y advertencias, y la documentación relacionada, pueden estar sujetos a cambios y actualizaciones. Para obtener información actualizada sobre el producto, visite la página documents.dometic.com, dometic.com.

Índice

1	Aclaración de los símbolos	64
2	Indicaciones de seguridad	65
3	Volumen de entrega	68
4	Uso previsto	68
5	Descripción técnica	69
6	Instalación y conexión de la mininevera	71
7	Uso de la mininevera	73
8	Limpieza y mantenimiento	76
9	Resolución de problemas	77
10	Garantía	78
11	Gestión de residuos	78
12	Datos técnicos	79

1 Aclaración de los símbolos



¡PELIGRO!

Aviso de seguridad sobre una situación de peligro que, si no se evita, es causa de muerte o heridas graves.



¡ADVERTENCIA!

Aviso de seguridad sobre una situación de peligro que, si no se evita, puede causar la muerte o heridas graves.

**¡ATENCIÓN!**

Aviso de seguridad sobre una situación de peligro que, si no se evita, puede causar heridas leves o de consideración.

**¡AVISO!**

Aviso sobre una situación que, si no se evita, puede causar daños materiales.

**NOTA**

Información complementaria para el manejo del producto.

2 Indicaciones de seguridad

2.1 Seguridad general



¡ADVERTENCIA! El incumplimiento de estas advertencias podría acarrear la muerte o lesiones graves.

Riesgo de electrocución

- Asegúrese de que la mininevera sea instalada por un técnico cualificado de acuerdo con el manual de instalación de Dometic.
- No ponga la mininevera en funcionamiento si presenta desperfectos visibles.
- Si el cable de conexión de esta mininevera está dañado, debe ser reemplazado por el fabricante, un técnico de mantenimiento autorizado o una persona con cualificación similar para evitar posibles peligros.
- Esta mininevera solo puede ser reparada por personal cualificado. Las reparaciones realizadas incorrectamente pueden generar situaciones de considerable peligro.

Peligro de incendio

- El refrigerante del circuito de refrigeración es muy inflamable. En caso de daños en el circuito de refrigeración:
 - Apague la mininevera.
 - Evite el fuego abierto y las chispas.
 - Ventile bien la habitación.

Peligro de explosión

- No guarde en la mininevera sustancias explosivas, tales como latas de aerosol con gases propelentes.

Riesgo para la salud

- No abra nunca el grupo absorbedor. Está bajo alta presión y puede causar lesiones si se abre.
- Esta mininevera puede ser utilizada por menores a partir de 8 años y personas con capacidad física, sensorial o mental reducida, o con falta de experiencia y conocimientos, siempre que lo hagan bajo supervisión o hayan recibido instrucciones relativas al uso de la misma de manera segura y entendiendo los riesgos asociados.
- No deje que los niños jueguen con la mininevera.
- Los menores no deberán limpiar ni realizar el mantenimiento de usuario sin la debida supervisión.
- Los menores de 3 a 8 años pueden introducir y extraer productos de la mininevera.



¡ATENCIÓN! El incumplimiento de estas precauciones podría acarrear lesiones moderadas o leves.

Riesgo de aplastamiento

- No introduzca la mano en el tope de la tapa.

Riesgo para la salud

- Los alimentos solo se pueden guardar en los envases originales o en recipientes adecuados.

**¡AVISO! Peligro de daños**

- Compare el valor de tensión indicado en la placa de características con el suministro de energía existente.
- Esta mininevera no es apta para almacenar sustancias corrosivas o que contengan disolventes.
- El aislamiento de la nevera contiene ciclopentano y requiere una gestión de residuos especial. Deposite el aparato de refrigeración en un centro de reciclaje adecuado al finalizar su vida útil.
- Mantenga siempre limpias las aberturas de desagüe.
- No abra nunca el circuito de refrigeración.
- Traslade siempre la mininevera en posición vertical.

2.2 Uso seguro de la mininevera



¡PELIGRO! El incumplimiento de estas advertencias puede acarrear la muerte o lesiones graves.

Riesgo de electrocución

- No toque los cables sin aislamiento directamente con las manos.



¡ATENCIÓN! El incumplimiento de estas precauciones podría acarrear lesiones moderadas o leves.

Riesgo de electrocución

- Antes de poner en funcionamiento la mininevera, asegúrese de que el cable de alimentación y la clavija de enchufe estén secos.

Riesgo para la salud

- Asegúrese de guardar en la mininevera solamente aquellos productos que puedan enfriarse a la temperatura seleccionada.
- Los alimentos solo se pueden almacenar con su envase original o en recipientes adecuados.
- Dejar la puerta abierta durante un período prolongado puede producir un incremento considerable de la temperatura en los compartimentos de la mininevera.
- Limpie periódicamente las superficies que puedan entrar en contacto con alimentos y los sistemas de desagüe accesibles.
- Si deja la mininevera vacía durante un período prolongado:
 - Apague la mininevera.
 - Descongele la mininevera.
 - Limpie y seque la mininevera.
 - Deje la puerta abierta para evitar que se genere moho dentro de la mininevera.



¡AVISO! Peligro de daños

- Coloque los objetos más pesados, por ejemplo, botellas o latas, únicamente en la puerta de la mininevera o en el estante inferior.
- No utilice en el interior de la mininevera dispositivos eléctricos que no estén recomendados por el fabricante.
- No coloque el aparato cerca de llamas directas ni de otras fuentes de calor (calefacción, radiación directa del sol, estufas de gas, etc.).
- Asegúrese de que los orificios de ventilación no estén obstruidos.
- No sumerja nunca la mininevera bajo el agua.
- Proteja la mininevera y los cables del calor y la humedad.

- Preste atención a que los alimentos no toquen ninguna pared del interior de la nevera.

3 Volumen de entrega

Cantidad	Descripción
1	Mininevera
1	Instrucciones de montaje y uso

4 Uso previsto

Este aparato de refrigeración (también denominado mininevera) está diseñado para funcionar en edificios cerrados, como por ejemplo:

- En cocinas de personal situadas en tiendas, oficinas y otras zonas de trabajo
- En el sector agrícola
- En hoteles, moteles y otros alojamientos
- En establecimientos de tipo “bed and breakfast”
- En empresas de restauración o actividades similares al por mayor

La mininevera no es adecuada para ser instalada en caravanas o autocaravanas.

La mininevera está diseñada para ser empotrada en un mueble o como aparato de refrigeración independiente. Consulte las instrucciones de instalación.

La mininevera está diseñada exclusivamente para enfriar y almacenar bebidas y alimentos en recipientes cerrados.

La mininevera no es adecuada para almacenar medicamentos ni para congelar alimentos.

Esta mininevera solo es apta para el uso previsto y la aplicación de acuerdo con estas instrucciones.

Este manual proporciona la información necesaria para la correcta instalación y/o funcionamiento de la mininevera. Una instalación deficiente y/o un uso y mantenimiento inadecuados conllevan un rendimiento insatisfactorio y posibles fallos.

El fabricante no se hace responsable de ninguna lesión o daño en el producto ocasionados por:

- Un montaje o conexión incorrectos, incluido un exceso de tensión

- Un mantenimiento incorrecto o el uso de piezas de repuesto distintas de las originales proporcionadas por el fabricante
- Modificaciones realizadas en el producto sin el expreso consentimiento del fabricante
- Uso con una finalidad distinta de la descrita en las instrucciones

Dometic se reserva el derecho de cambiar la apariencia y las especificaciones del producto.

5 Descripción técnica

Este aparato es una mininevera de refrigeración por absorción. Se usa amoníaco como refrigerante. Todos los materiales utilizados son aptos para el uso con alimentos. El circuito de refrigeración no requiere mantenimiento.

La mininevera está disponible en versión autónoma (**FS**) y en versión empotrable (**BI**).

La **versión autónoma** está prevista para un uso independiente. La cubierta del grupo refrigerador protege las partes calientes de los grupos refrigeradores. El bastidor con patas y aberturas de ventilación garantiza una ventilación suficiente. Si se retira el bastidor con patas y la cubierta del grupo refrigerador, la mininevera puede utilizarse como versión empotrable.

La versión **empotrable** está prevista para su montaje en muebles. No tiene bastidor con patas ni cubierta para el grupo refrigerador.

La temperatura se ajusta mediante el termostato situado en el interior del mininevera.

El sistema electrónico comprueba el funcionamiento de la mininevera después de cada fase de descongelación midiendo el descenso de la temperatura del evaporador. Cuando detecta un problema, la mininevera se apaga y la luz interior parpadea continuamente.

La mininevera dispone de una función de descongelación automática. Cada fase de descongelación dura 2 horas. La primera fase de descongelación comienza 39 horas después de encender el aparato. Después, cada 22 horas tiene lugar una fase de descongelación.

El agua de descongelación pasa por un tubo de desagüe desde el canal de goteo hasta un recipiente evaporador situado en la parte trasera inferior de la mininevera. El agua de descongelación se evapora automáticamente en el aire circulante, con lo cual no es necesario vaciar el recipiente manualmente.

Dos sensores de puerta comprueban si la puerta está abierta.

5.1 Componentes

En las ilustraciones siguientes se muestran los distintos tipos de mininevera:

- DS200: fig. **1**, página 3
- DS300: fig. **2**, página 4
- DS400: fig. **3**, página 5
- DS600: fig. **4**, página 6

Núm.	Explicación
1	Termostato
2	Iluminación interior
3	Tapa de la unidad de refrigeración (solo en los modelos autónomos)
4	Evaporador
5	Puerta
6	Cerradura de la puerta (opcional)
7	Sensor de aire
8	Bastidor con patas (solo en los modelos autónomos)
9	Estante
10	Sensor del evaporador
11	Sensor de la puerta
12	Elementos de puerta

6 Instalación y conexión de la mininevera

6.1 Instrucciones para la instalación de la mininevera

Tenga en cuenta las siguientes indicaciones al instalar la mininevera:

- Instale la mininevera de manera que el aire caliente pueda salir fácilmente (hacia arriba o hacia los lados, fig. **5**, página 7).

N.º en fig. 5 , página 7	Explicación
1	Aire de entrada frío
2	Aire de escape recalentado
3	Espacio libre por encima de la mininevera si el aire saliente no puede circular adecuadamente hacia arriba o lateralmente

- Tenga en cuenta las siguientes dimensiones de montaje:
 - DS200: fig. **19**, página 12
 - DS300: fig. **20**, página 13
 - DS400: fig. **21**, página 14
 - DS600: fig. **22**, página 15
- Preste atención a no obstaculizar con ningún objeto las aperturas (ranuras de ventilación, etc.) de la carcasa ni el bastidor de montaje.

6.2 Instalación de la versión autónoma

Tenga en cuenta lo siguiente para instalar la mininevera en posición autónoma:

- Asegúrese de que la cubierta para proteger los componentes calientes de la unidad de refrigeración está en su sitio.
- Asegúrese de que la estructura de soporte está en posición para proporcionar una circulación de aire adecuada.
- ▶ Coloque la mininevera sobre una superficie horizontal. Utilice un nivel de burbuja para controlar la horizontalidad.

6.3 Instalación de la versión empotrable



¡ATENCIÓN! Riesgo para la salud

Para evitar peligros causados por la inestabilidad del aparato, este deberá fijarse tal como se indica en las instrucciones.

Para empotrar la mininevera en un armario, siga las siguientes instrucciones:

- Coloque la mininevera sobre una superficie horizontal. Utilice un nivel de burbuja para controlar la horizontalidad.
- Mantenga 20 mm de separación con respecto a las paredes.
- La circulación del aire no debe quedar obstaculizada (fig. **5**, página 7).
- Toda la unidad de refrigeración debe extenderse hacia canal de ventilación.
- El aire del canal de ventilación no debe ser calentado por otras fuentes de calor.
- La rejilla de ventilación debe tener una sección transversal de 200 cm².

Proceda de la siguiente manera para instalar la mininevera (fig. **6**, página 8):

- Levante la mininevera y atornille las patas del aparato.

6.4 Montaje del tirador de la puerta (opcional)

- Proceda como se indica para montar el tirador de la puerta (fig. **7**, página 8).
- Proceda como se indica para desmontar el tirador de la puerta (fig. **8**, página 8).

6.5 Cambiar el lado de apertura de la puerta



¡ADVERTENCIA! Riesgo de electrocución

Antes de realizar cualquier trabajo en la mininevera, desenchufe el cable de alimentación.



¡AVISO! ¡Peligro de daños materiales!

La mininevera solo puede estar tumbada de un lado brevemente.

Puede cambiar la posición de las bisagras de la puerta permitiendo abrirla hacia la izquierda en lugar de hacia la derecha.

- Proceda como se indica para cambiar la bisagra de la puerta:
 - **Versión autónoma:** fig. **9**, página 9 a fig. **13**, página 10
 - **Versión empotrada:** fig. **10**, página 9 a fig. **12**, página 9

6.6 Cambiar la decoración de la puerta



¡AVISO! Peligro de daños materiales

La mininevera solo puede estar tumbada de un lado brevemente.

El panel de la puerta tiene las siguientes dimensiones:

Modelo	Anchura	Altura	Espesor
DS200	383 ± 0,5 mm	310 ± 0,5 mm	2 mm
DS300	383 ± 0,5 mm	395 ± 0,5 mm	
DS400	383 ± 0,5 mm	395 ± 0,5 mm	
DS600	449 ± 0,5 mm	408 ± 0,5 mm	

- Si es necesario, desmonte el tirador de la puerta (capítulo “Montaje del tirador de la puerta (opcional)” en la página 72).
- Si es necesario, retire el anillo de retención de la cerradura de la puerta.
- Proceda como se indica para retirar la placa decorativa (fig. 14, página 10).
- Proceda como se indica para montar la placa decorativa (fig. 15, página 10).

7 Uso de la mininevera



¡AVISO! Peligro de daños

- Asegúrese de que los líquidos o alimentos envasados en recipientes de cristal no se enfríen demasiado. Cuando las bebidas o alimentos líquidos se congelan, se dilatan. Esto podría provocar la ruptura de recipientes de cristal.
- Asegúrese de guardar en la mininevera solamente aquellos productos que puedan enfriarse a la temperatura seleccionada.

7.1 Antes del primer uso

Por razones de higiene, limpie la mininevera por dentro y por fuera con un paño húmedo antes de ponerla en funcionamiento (véase también capítulo “Limpieza y mantenimiento” en la página 76).

7.2 Ahorro de energía

- Abra la mininevera únicamente el tiempo y las veces que sea necesario.
- Antes de introducir alimentos calientes en el aparato, deje que se enfríen.
- No regule una temperatura innecesariamente baja en el interior.
- Para un consumo de energía óptimo, coloque los estantes y cajones en la misma posición que ocupan en el momento de la entrega.
- Compruebe periódicamente que la junta de la puerta encaja correctamente.
- Elimine regularmente el polvo y la suciedad del condensador.

7.3 Posicionamiento de las rejillas

DS200, DS300

Proceda de la forma indicada (fig. **16**, página 11).

DS400, DS600

Proceda de la forma indicada (fig. **17**, página 11).

7.4 Encendido

- ▶ Enchufe el cable de conexión a la toma de corriente.
- ✓ La mininevera inicia un autodiagnóstico.
- ✓ El LED parpadea inicialmente varias veces y luego se enciende de forma continua.
- ✓ La mininevera está encendida.



NOTA

Después de encenderla, la mininevera tarda varias horas en alcanzar la temperatura de refrigeración en su interior.

7.5 Ajuste de la temperatura

Tenga en cuenta lo siguiente para no desperdiciar alimentos:

- Procure que las oscilaciones de temperatura sean mínimas. Abra la nevera únicamente el tiempo y las veces que sea necesario. Almacene los alimentos de manera que no impidan una buena circulación del aire.
 - Ajuste la temperatura a la cantidad y el tipo de alimentos.
 - Almacene los distintos tipos de alimentos tal como se muestra en las figuras.
 - Los alimentos pueden absorber o desprender sabores y olores con facilidad. Almacene siempre los alimentos envueltos o cerrados en recipientes o botellas.
- Ponga el termostato (fig. 18, página 12) en el nivel medio.

Dependiendo de las condiciones de llenado e instalación, puede ser necesario un nivel diferente. Al girar el regulador hacia el símbolo grande, aumenta la refrigeración; al girarlo hacia el símbolo más pequeño, se reduce la refrigeración.

7.6 Apagado y almacenamiento

Si no va a usar la mininevera durante un largo período de tiempo, proceda como se indica a continuación:

- Desenchufe el cable de conexión de la toma de corriente.
- Limpie la mininevera (véase capítulo “Limpieza y mantenimiento” en la página 76).
- Deje la puerta entreabierta para evitar que se generen olores.

7.7 Sustitución del LED



¡AVISO! Peligro de ocasionar daños materiales

Únicamente el fabricante, un técnico de mantenimiento o una persona con cualificación similar podrá cambiar la bombilla con el fin de evitar peligros.

8 Limpieza y mantenimiento



¡ADVERTENCIA! Peligro de muerte por descarga eléctrica

Desconecte la nevera de la red antes de proceder a la limpieza o al mantenimiento del mismo.



¡AVISO! Peligro de ocasionar daños materiales

- No emplee productos de limpieza corrosivos ni objetos duros o puntiagudos que puedan arañar o deteriorar la nevera.
- Nunca utilice herramientas duras ni puntiagudas para retirar capas de hielo o despegar productos que se hayan adherido al congelarse.
- No utilice herramientas mecánicas ni de otra clase para acelerar el deshielo.

- Limpie la nevera de forma regular y cuando se ensucie con un paño húmedo.
- Preste atención a que no gotee agua en las juntas, pues ello podría dañar el sistema electrónico.
- Tras la limpieza, seque la nevera con un paño.
- Compruebe regularmente la salida de agua de deshielo.

Limpie la salida de agua de deshielo, si es necesario. Si se atasca, el agua de deshielo se acumula en la parte inferior de la nevera.

9 Resolución de problemas

Fallo	Posible causa	Solución
No refrigera; unidad de absorción fría	La clavija de alimentación no está enchufada	Inserte el enchufe en la toma de corriente.
	No hay tensión en la toma	Compruebe el fusible de la vivienda.
	Electrónica o sensores defectuosos	Técnico de mantenimiento autorizado: Instale una electrónica o sensor nuevos.
	Cartucho calefactor defectuoso	Técnico de mantenimiento autorizado: Instale un cartucho calefactor nuevo.
	Fase de descongelación activa	No se requiere ninguna acción
No refrigera, unidad de absorción caliente	La nevera no está bien nivelada	Nivele la nevera con la ayuda de un nivel de burbuja.
	La nevera se ha encendido hace poco	Compruebe la temperatura de refrigeración pasadas de 5 a 6 horas.
	Grupo refrigerador defectuoso	Técnico de mantenimiento autorizado: Sustituya la nevera.
Mala refrigeración	La nevera está expuesta a la radiación solar directa	Retire la nevera de la luz solar directa.
	La puerta de la nevera no cierra herméticamente	Compruebe las separaciones (fig. 5, página 7). Técnico de mantenimiento autorizado: Sustituya la junta de la puerta.
	La nevera se ha llenado hace poco	Compruebe la temperatura de refrigeración pasadas de 5 a 6 horas.
Formación de escarcha en el compartimento de la nevera	La puerta de la nevera no cierra herméticamente	Compruebe las distancias (fig. 5, página 7). Técnico de mantenimiento autorizado: Sustituya la junta de la puerta

Fallo	Posible causa	Solución
No refrigera, la luz interior parpadea continuamente	Nevera demasiado llena	<p>► Desconecte el aparato de la red eléctrica durante al menos 10 s.</p> <p>► Conecte el aparato.</p> <p>Esto restablecerá la electrónica y el aparato debería volver a funcionar normalmente.</p> <p>Si los LED vuelven a parpadear, significa que se ha producido un fallo importante:</p> <p>► Contacte con un centro de reparaciones autorizado.</p>
	La puerta no se ha cerrado correctamente	
	No hay circulación de aire adecuada para la unidad de refrigeración	
	La nevera no está bien nivelada	

10 Garantía

Se aplica el período de garantía estipulado por la ley. Si el producto está defectuoso, contacte con el punto de venta o con la sucursal del fabricante en su país (visite.dometic.com/dealer).

Para tramitar la reparación y la garantía, incluya los siguientes documentos cuando envíe el aparato:

- Una copia de la factura con fecha de compra
- El motivo de la reclamación o una descripción de la avería


11 Gestión de residuos

- Deseche el material de embalaje en el contenedor de reciclaje correspondiente.



Cuando vaya a desechar definitivamente el producto, infórmese en el centro de reciclaje más cercano o en un comercio especializado sobre las normas pertinentes de eliminación de materiales.

12 Datos técnicos

	DS200	DS300	DS400	DS600
Tensión de entrada:	220 – 240 V			
Potencia de entrada nominal:	65 W			
Volumen total:	23 l	28 l	34 l	45 l
Clase de eficiencia energética:	D			
Consumo de energía:				
– FS:	0,793 kWh/ 24 h	0,801 kWh/ 24 h	0,807 kWh/ 24 h	0,821 kWh/ 24 h
– BI:	0,809 kWh/ 24 h	0,817 kWh/ 24 h	0,823 kWh/ 24 h	0,836 kWh/ 24 h
Clase climática:	N		SN	
Uso previsto a temperatura ambiente:	De +10 °C a +32 °C			
Emisión acústica:	0 dB(A)			
Agente espumante:	Ciclopentano			
Refrigerante:	Amoníaco			
Dimensiones H x A x P:	fig. 19 , página 12	fig. 20 , página 13	fig. 21 , página 14	fig. 22 , página 15
Peso:	14 kg	15 kg	17 kg	20 kg
Inspección/certificados:				

Encontrará la declaración de conformidad UE actual para su aparato en la página correspondiente al producto en dometic.com o directamente a través del fabricante (véase dometic.com/dealer).

Encontrará más información sobre el producto a través del código QR de la etiqueta energética que aparece en la sección de figuras o en el sitio eprel.ec.europa.eu.

Leia atentamente as presentes instruções e siga todas as instruções, orientações e avisos incluídos neste manual, de modo a garantir a correta instalação, utilização e manutenção do produto. É OBRIGATÓRIO manter estas instruções junto com o produto.

Ao utilizar o produto, está a confirmar que leu atentamente todas as instruções, orientações e avisos, e que compreende e aceita cumprir os termos e condições estabelecidos no presente manual. Aceita utilizar este produto exclusivamente para o fim e a aplicação a que se destina e de acordo com as instruções, orientações e avisos estabelecidos neste manual, assim como de acordo com todas as leis e regulamentos aplicáveis. Caso não leia nem siga as instruções e os avisos aqui estabelecidos, poderá sofrer ferimentos pessoais ou causar ferimentos a terceiros e o produto ou outros materiais nas proximidades poderão ficar danificados. Este manual do produto, incluindo as instruções, orientações e avisos, bem como a documentação relacionada, podem estar sujeitos a alterações e atualizações. Para consultar as informações atualizadas do produto, visite documents.dometic.com, dometic.com.

Índice

1	Explicação dos símbolos	80
2	Indicações de segurança	81
3	Material fornecido	84
4	Utilização adequada	84
5	Descrição técnica	85
6	Instalar e conectar o minifrigorífico	87
7	Utilizar o minifrigorífico	89
8	Limpeza e manutenção	91
9	Resolução de falhas	92
10	Garantia	93
11	Eliminação	94
12	Dados técnicos	95

1 Explicação dos símbolos



PERIGO!

Indicação de segurança sobre uma situação de perigo que leva à morte ou a ferimentos graves se não for evitada.



AVISO!

Indicação de segurança sobre uma situação de perigo que pode levar à morte ou a ferimentos graves se não for evitada.

**PRECAUÇÃO!**

Indicação de segurança sobre uma situação de perigo que pode levar a ferimentos ligeiros ou moderados se não for evitada.

**NOTA!**

Indicação sobre uma situação que leva a danos materiais se não for evitada.

**OBSERVAÇÃO**

Informações complementares sobre a operação do produto.

2 Indicações de segurança

2.1 Princípios básicos de segurança



AVISO! O incumprimento destes avisos poderá resultar em morte ou ferimentos graves.

Risco de eletrocussão

- Certifique-se de que o minifrigorífico foi instalado de acordo com as instruções de montagem Dometic por um técnico qualificado.
- Não coloque o minifrigorífico em funcionamento se este apresentar danos visíveis.
- Se o cabo de alimentação do minifrigorífico estiver danificado, terá de ser substituído pelo fabricante, pelo agente de assistência técnica ou por uma pessoa com qualificações equivalentes, a fim de evitar perigos.
- As reparações neste minifrigorífico só podem ser realizadas por técnicos qualificados. Reparações inadequadas podem originar perigos graves.

Perigo de incêndio

- O agente de refrigeração no circuito de refrigeração é altamente inflamável.
Em caso de danos no circuito de refrigeração:
 - Desligue o minifrigorífico.
 - Evite chamas abertas e faíscas.
 - Ventile bem o espaço.

Perigo de explosão

- Não guarde no minifrigorífico substâncias com risco de explosão, como, por exemplo, latas de spray com gás inflamável.

Risco para a saúde

- Nunca abra o agregado de absorção. Este encontra-se sob elevada pressão e pode originar ferimentos durante a abertura.
- Este minifrigorífico pode ser utilizado por crianças a partir dos 8 anos e pessoas com capacidades físicas, sensoriais ou mentais reduzidas ou sem experiência e conhecimento se forem supervisionadas ou receberem instruções sobre a utilização do minifrigorífico de forma segura e compreenderem os perigos implicados.
- As crianças não devem brincar com o minifrigorífico.
- A limpeza e a manutenção não podem ser efetuadas por crianças sem supervisão.
- Crianças com idades entre os 3 e os 8 anos podem encher e esvaziar o minifrigorífico.



PRECAUÇÃO! O incumprimento destas advertências poderá resultar em ferimentos ligeiros ou moderados.

Risco de esmagamento

- Não mexa no encosto da tampa com os dedos.

Risco para a saúde

- Os alimentos devem ser armazenados exclusivamente nas embalagens originais ou em recipientes adequados.

**NOTA! Risco de danos**

- Verifique se a indicação de tensão na chapa de características corresponde à da fonte de alimentação existente.
- O minifrigorífico não se destina ao armazenamento de substâncias corrosivas ou que contenham solventes.
- O isolamento do aparelho de refrigeração contém ciclopentano inflamável e requer medidas de eliminação especiais. No fim da respetiva vida útil, encaminhe o aparelho de refrigeração para um centro de reciclagem adequado.
- Mantenha a abertura de escoamento sempre limpa.
- Não abra, em caso algum, o circuito de refrigeração.
- Transporte o minifrigorífico apenas em posição vertical.

2.2 Operar o minifrigorífico em segurança



PERIGO! O incumprimento destes avisos resultará em morte ou ferimentos graves.

Risco de eletrocussão

- Nunca toque em cabos não blindados com as mãos desprotegidas.



PRECAUÇÃO! O incumprimento destas advertências poderá resultar em ferimentos ligeiros ou moderados.

Risco de eletrocussão

- Antes de colocar o minifrigorífico em funcionamento, certifique-se de que a conexão e a ficha estão secas.

Risco para a saúde

- Certifique-se de que coloca no minifrigorífico apenas produtos que possam ser refrigerados à temperatura selecionada.
- Os géneros alimentícios só podem ser guardados nas embalagens originais ou em recipientes adequados.
- Abrir a porta durante longos períodos pode provocar um aumento significativo da temperatura nos compartimentos do minifrigorífico.
- Limpe regularmente as superfícies que entram em contacto com géneros alimentícios e os sistemas de drenagem acessíveis.
- Se o minifrigorífico ficar vazio durante longos períodos:
 - Desligue o minifrigorífico.
 - Descongele o minifrigorífico.
 - Limpe e seque o minifrigorífico.
 - Deixe a porta aberta para impedir o crescimento de bolor no interior do minifrigorífico.



NOTA! Risco de danos

- Guarde os objetos pesados como, por exemplo, garrafas ou latas exclusivamente na porta do minifrigorífico ou na prateleira inferior.
- Não utilize aparelhos elétricos dentro do minifrigorífico, exceto se esses aparelhos forem recomendados pelo fabricante para o efeito.
- Não coloque o aparelho nas proximidades de chamas abertas ou outras fontes de calor (aquecedores, radiação solar direta, fogões a gás, etc.).
- Certifique-se de que as aberturas de ventilação não estão tapadas.
- Nunca mergulhe o minifrigorífico em água.
- Proteja o minifrigorífico e os cabos do calor e da humidade.

- Certifique-se de que os alimentos não entram em contacto com as paredes do espaço de refrigeração.

3 Material fornecido

Quantidade	Descrição
1	Minifrigorífico
1	Manual de montagem e operação

4 Utilização adequada

O aparelho de refrigeração (também designado por “minifrigorífico”) destina-se a ser utilizado em edifícios fechados, tais como:

- Na cozinha do pessoal em estabelecimentos comerciais, escritórios e outros espaços de trabalho
- No setor agrícola
- Em hotéis, motéis e outros estabelecimentos de alojamento
- Em estabelecimentos “bed and breakfast”
- Em empresas de catering ou negócios grossistas semelhantes

O minifrigorífico não é adequado para ser montado em caravanas ou autocaravanas.

O minifrigorífico está concebido para ser utilizado como aparelho encastrado ou como aparelho de refrigeração independente. Consulte as instruções de montagem.

O minifrigorífico destina-se exclusivamente à refrigeração e ao armazenamento de bebidas e alimentos em recipientes fechados e de alimentos frescos.

O minifrigorífico não se destina ao armazenamento de medicamentos nem ao congelamento de alimentos.

Este minifrigorífico destina-se exclusivamente à aplicação e aos fins pretendidos com base nestas instruções.

Este manual fornece informações necessárias para proceder a uma instalação e/ou a uma operação adequadas do minifrigorífico. Uma instalação e/ou uma operação ou manutenção incorretas causarão um desempenho insatisfatório e uma possível avaria.

O fabricante não aceita qualquer responsabilidade por danos ou prejuízos no produto resultantes de:

- Montagem ou ligação incorreta, incluindo sobretensões
- Manutenção incorreta ou utilização de peças sobressalentes não originais fornecidas pelo fabricante
- Alterações ao produto sem autorização expressa do fabricante
- Utilização para outras finalidades que não as descritas no presente manual

A Dometic reserva-se o direito de alterar o design e as especificações do produto.

5 Descrição técnica

O aparelho é um minifrigorífico com refrigeração de absorção. O agente de refrigeração utilizado neste aparelho é o amoníaco. Todos os materiais utilizados são adequados para a utilização com alimentos. O circuito de refrigeração não necessita de manutenção.

O minifrigorífico está disponível numa versão de instalação livre (**FS**) e numa versão de encastrar (**BI**).

A **versão de instalação livre** destina-se à utilização livre. A cobertura da unidade de refrigeração protege os componentes quentes das unidades de refrigeração. A base com pés e aberturas de ventilação garante ventilação suficiente. É possível utilizar o minifrigorífico como versão de encastrar, bastando, para o efeito, remover a base com pés e a cobertura da unidade de refrigeração.

A **versão de encastrar** destina-se a ser montada no mobiliário, não incluindo uma base com pés nem uma cobertura da unidade de refrigeração.

A temperatura é regulada no termostato localizado no interior do minifrigorífico.

Após cada fase de descongelamento, o sistema eletrónico controla o funcionamento do minifrigorífico medindo a queda de temperatura do evaporador. Caso detete um problema, o sistema eletrónico desliga o minifrigorífico e a iluminação interior pisca continuamente.

O minifrigorífico está equipado com uma função de descongelamento automática. Cada fase de descongelamento dura 2 horas. A primeira fase de descongelamento inicia-se 39 horas após o aparelho de refrigeração ser ligado. Depois disto, é realizada uma fase de descongelamento a cada 22 horas.

A água do descongelamento escoa por um tubo de escoamento da calha de gotejamento para um recipiente evaporador localizado na parte inferior traseira do mini-frigorífico. A água de descongelamento evapora automaticamente para o ar circulante, daí que o recipiente não tenha de ser esvaziado manualmente.

Dois sensores de porta verificam se a porta está aberta.

5.1 Componentes

Os diferentes tipos de mini-frigorífico estão representados nas seguintes figuras:

- DS200: fig. **1**, página 3
- DS300: fig. **2**, página 4
- DS400: fig. **3**, página 5
- DS600: fig. **4**, página 6

N.º	Explicação
1	Termóstato
2	Iluminação interior
3	Cobertura para a unidade de refrigeração (apenas em modelos de instalação livre)
4	Evaporador
5	Porta
6	Fechadura da porta (opcional)
7	Sensor de ar
8	Base com pés (apenas em modelos de instalação livre)
9	Prateleira
10	Sensor do evaporador
11	Sensor da porta
12	Insertos da porta

6 Instalar e conectar o minifrigorífico

6.1 Instruções de instalação do minifrigorífico

Durante a instalação do minifrigorífico, preste atenção às seguintes indicações:

- Instale o minifrigorífico de forma que o ar quente produzido possa sair adequadamente (para cima ou para os lados, fig. **5**, página 7).

N.º na fig. 5 , página 7	Explicação
1	Entrada de ar frio
2	Saída de ar quente
3	Espaço livre por cima do minifrigorífico, se o ar de exaustão não puder circular adequadamente na vertical ou na lateral

- Tenha em atenção as seguintes dimensões de montagem:
 - DS200: fig. **19**, página 12
 - DS300: fig. **20**, página 13
 - DS400: fig. **21**, página 14
 - DS600: fig. **22**, página 15
- Mantenha as aberturas (aberturas de ventilação, etc.) da caixa ou da estrutura de instalação livres de objetos.

6.2 Instalar a versão de instalação livre

Tenha em atenção o seguinte para instalar o minifrigorífico numa posição livre:

- Certifique-se de que a cobertura de proteção dos componentes quentes da unidade de refrigeração está devidamente colocada.
- Certifique-se de que a base com pés está na posição certa para assegurar uma circulação de ar adequada.
- ▶ Coloque o minifrigorífico sobre uma superfície plana. Utilize um nível de bolha de ar para verificar a posição.

6.3 Instalar a versão de encastrar

**PRECAUÇÃO! Risco para a saúde**

Para evitar riscos devido à instabilidade do aparelho, este tem de ser fixado de acordo com as instruções.

Se pretender instalar o minifrigorífico num móvel, siga as seguintes instruções:

- Coloque o minifrigorífico sobre uma superfície plana. Utilize um nível de bolha de ar para verificar a posição.
- Mantenha uma distância de 20 mm em relação às paredes.
- Assegure-se de que não há nenhum obstáculo que impeça a circulação do ar (fig. **5**, página 7).
- Toda a unidade de refrigeração tem de se projetar para dentro da conduta de ventilação.
- O ar na conduta de ventilação não pode ser aquecido por outras fontes de calor.
- A grelha de ventilação tem de ter uma secção transversal de pelo menos 200 cm².

Proceda do seguinte modo para instalar o minifrigorífico (fig. **6**, página 8):

- ▶ Coloque o minifrigorífico na vertical e aparafuse os pés do aparelho.

6.4 Montar o puxador da porta (opcional)

- ▶ Proceda conforme ilustrado para montar o puxador da porta (fig. **7**, página 8).
- ▶ Proceda conforme ilustrado para desmontar o puxador da porta (fig. **8**, página 8).

6.5 Alterar o encosto da tampa da porta

**AVISO! Risco de eletrocussão**

Antes de executar qualquer trabalho no minifrigorífico, desligue a ficha da tomada.

**NOTA! Perigo de danos!**

O minifrigorífico só deve ficar deitado de lado brevemente.

O sentido de abertura da porta pode ser alterado de modo a que a porta abra para a esquerda em vez de abrir para a direita.

- ▶ Proceda conforme ilustrado para mudar a dobradiça da porta:
 - **Versão de instalação livre:** fig. **9**, página 9 e fig. **13**, página 10
 - **Versão de encastrar:** fig. **10**, página 9 e fig. **12**, página 9

6.6 Substituição do painel da porta



NOTA! Perigo de danos

O minifrigorífico só deve ficar brevemente deitado de lado.

O painel da porta possui as seguintes dimensões:

Modelo	Largura	Altura	Espessura
DS200	383 ± 0,5 mm	310 ± 0,5 mm	2 mm
DS300	383 ± 0,5 mm	395 ± 0,5 mm	
DS400	383 ± 0,5 mm	395 ± 0,5 mm	
DS600	449 ± 0,5 mm	408 ± 0,5 mm	

- ▶ Se necessário, desmonte o puxador da porta (capítulo “Montar o puxador da porta (opcional)” na página 88).
- ▶ Se necessário, remova o anel de retenção da fechadura da porta.
- ▶ Proceda conforme ilustrado para remover a placa decorativa (fig. **14**, página 10):
- ▶ Proceda conforme ilustrado para montar a placa decorativa (fig. **15**, página 10):

7 Utilizar o minifrigorífico



NOTA! Risco de danos

- Certifique-se de que as bebidas ou os géneros alimentícios em recipientes de vidro não são refrigerados em excesso. Ao refrigerar, as bebidas ou os alimentos líquidos dilatam. Deste modo, os recipientes de vidro podem partir.
- Certifique-se de que coloca no minifrigorífico apenas produtos que possam ser refrigerados à temperatura selecionada.

7.1 Antes da primeira utilização

Por motivos de higiene, antes de ligar o novo minifrigorífico pela primeira vez, deve limpar o seu interior e exterior com um pano húmido (ver também capítulo “Limpeza e manutenção” na página 91).

7.2 Poupar energia

- Abra o minifrigorífico apenas as vezes que forem necessárias e apenas durante o tempo estritamente necessário.
- Primeiro, deixe as refeições quentes arrefecer antes de as refrigerar no aparelho.
- Evite temperaturas internas desnecessariamente baixas.
- Para um consumo de energia otimizado, posicione as prateleiras e as gavetas na posição original de entrega.
- Verifique regularmente se a vedação da porta ainda está corretamente encaixada.
- Limpe o pó e a sujidade do condensador regularmente.

7.3 Posicionar as prateleiras

DS200, DS300

Proceda como ilustrado (fig. **16**, página 11).

DS400, DS600

Proceda como ilustrado (fig. **17**, página 11).

7.4 Ligar

- ▶ Insira a ficha na tomada.
- ✓ O minifrigorífico inicia um autoteste.
- ✓ O LED pisca várias vezes inicialmente e, em seguida, permanece aceso.
- ✓ O minifrigorífico está ligado.



OBSERVAÇÃO

Após ser ligado, o minifrigorífico necessita de várias horas para atingir a temperatura de refrigeração definida no interior do respetivo compartimento.

7.5 Definir a temperatura

Para evitar desperdício alimentar, observe o seguinte:

- Mantenha as oscilações de temperatura o mais reduzidas possível. Abra o frigorífico apenas as vezes que forem necessárias e apenas durante o tempo estritamente necessário. Armazene os alimentos de modo a que o ar continue a circular bem.
 - Ajuste a temperatura à quantidade e ao tipo de alimentos.
 - Guarde os diferentes tipos de alimentos de acordo com as imagens.
 - Os alimentos podem absorver ou libertar facilmente cheiro ou sabor. Armazene os alimentos sempre bem cobertos ou em recipientes/garrafas fechadas.
- Coloque o termóstato (fig. **18**, página 12) na posição central.

Dependendo das condições de enchimento e instalação, poderá ser necessário colocar o aparelho numa posição diferente. Rodar o comando no sentido do símbolo grande aumenta a refrigeração, enquanto rodar o comando no sentido do símbolo mais pequeno reduz a refrigeração.

7.6 Desligar e armazenar

Se não pretender utilizar o minifrigorífico durante um longo período, proceda da seguinte forma:

- Remova a ficha da tomada.
- Limpe o minifrigorífico (ver capítulo “Limpeza e manutenção” na página 91).
- Deixe a porta aberta para evitar a formação de odores.

7.7 Substituir o LED



NOTA! Risco de danos

Para evitar perigos, a lâmpada só pode ser substituída pelo fabricante, por um agente de serviços autorizado ou por uma pessoa com qualificação semelhante.

8 Limpeza e manutenção



AVISO! Perigo de morte devido a choque elétrico

Antes de cada limpeza e conservação, desligue o frigorífico da rede.



NOTA! Perigo de danos

- Não utilize produtos de limpeza abrasivos ou objetos duros para a limpeza, uma vez que podem danificar o frigorífico.
- Nunca utilize ferramentas duras ou pontiagudas para retirar as camadas de gelo ou para libertar objetos congelados.
- Não utilize quaisquer ferramentas de apoio mecânicas ou outras, para acelerar o processo de descongelamento.

- ▶ Limpe o frigorífico com regularidade e logo que esteja sujo com um pano húmido.
- ▶ Tenha atenção para que não pingue nenhuma água nas vedações. Isto pode danificar o sistema eletrónico.
- ▶ Após a lavagem, seque o frigorífico com um pano.
- ▶ Verifique regularmente o escoamento da água de descongelação.
Se necessário, limpe o escoamento da água. Se estiver entupido, a água de descongelação fica acumulada no fundo do frigorífico.

9 Resolução de falhas

Falha	Possível causa	Solução
Sem refrigeração, unidade de absorção fria	Ficha não está inserida na tomada	Inserir a ficha na tomada.
	Tomada sem tensão	Verificar o fusível doméstico.
	Avaria no sistema eletrónico ou nos sensores	Agente de assistência técnica autorizado: Instalar um novo sistema eletrónico ou sensores.
	Cartucho de aquecimento avariado	Agente de assistência técnica autorizado: Instalar um novo cartucho de aquecimento.
	Fase de descongelamento ativa	Nenhuma ação necessária

Falha	Possível causa	Solução
Sem refrigeração, unidade de absorção quente	Frigorífico não nivelado	Alinhar o frigorífico com o nível de bolha de ar.
	Frigorífico ligado recentemente	Verificar a refrigeração novamente após 5 a 6 horas.
	Unidade de refrigeração avariada	Agente de assistência técnica autorizado: Substituir o frigorífico.
Reduzido desempenho de refrigeração	Frigorífico exposto a luz solar direta	Retirar o frigorífico da exposição à luz solar direta.
	Porta do frigorífico não fecha com uma vedação hermética	Controlar as distâncias (fig. 5, página 7). Agente de assistência técnica autorizado: Substituir a vedação da porta.
	Frigorífico abastecido recentemente	Verificar a refrigeração novamente após 5 a 6 horas.
Formação de gelo no compartimento do frigorífico	Porta do frigorífico não fecha com uma vedação hermética	Controlar as distâncias (fig. 5, página 7). Agente de assistência técnica autorizado: Substituir a vedação da porta
Sem refrigeração, iluminação interior pisca	Frigorífico em sobrecarga	<ul style="list-style-type: none"> ▶ Desconectar o aparelho da fonte de alimentação durante, pelo menos, 10 segundos. ▶ Conectar o aparelho Isto irá repor o sistema eletrónico e o aparelho deverá retomar a operação normal.
	Porta não está devidamente fechada	
	Sem circulação de ar adequada para a unidade de refrigeração	Se os LEDs começarem novamente a piscar, ocorreu uma falha mais grave:
	Frigorífico não nivelado	<ul style="list-style-type: none"> ▶ Dirija-se a um centro de reparação autorizado.

10 Garantia

Aplica-se o prazo de garantia legal. Se o produto apresentar defeitos, contacte o seu revendedor ou a filial do fabricante no seu país (ver dometic.com/dealer).

Para fins de reparação ou de garantia, terá de enviar também os seguintes documentos:

- Uma cópia da fatura com a data de aquisição
- Um motivo de reclamação ou uma descrição da falha


11 Eliminação

- Sempre que possível, coloque o material de embalagem no respectivo contentor de reciclagem.



Para colocar o aparelho definitivamente fora de funcionamento, por favor, informe-se junto do centro de reciclagem mais próximo ou revendedor sobre as disposições de eliminação aplicáveis.

12 Dados técnicos

	DS200	DS300	DS400	DS600
Tensão de alimentação:	220 – 240 V			
Potência nominal de entrada:	65 W			
Volume total:	23 l	28 l	34 l	45 l
Classe de eficiência energética:	D			
Consumo de energia:				
– FS:	0,793 kWh/ 24 h	0,801 kWh/ 24 h	0,807 kWh/ 24 h	0,821 kWh/ 24 h
– BI:	0,809 kWh/ 24 h	0,817 kWh/ 24 h	0,823 kWh/ 24 h	0,836 kWh/ 24 h
Classe de climatização:	N		SN	
Temperatura ambiente com a utilização prevista:	+10 °C a +32 °C			
Emissão de ruído:	0 dB(A)			
Propulsor:	Ciclopentano			
Agente de refrigeração:	Amoníaco			
Dimensões A x L x P:	fig. 19 , página 12	fig. 20 , página 13	fig. 21 , página 14	fig. 22 , página 15
Peso:	14 kg	15 kg	17 kg	20 kg
Inspeção/certificação:				

A atual declaração de conformidade UE do seu aparelho pode ser obtida na respetiva página do produto, em dometic.com, ou solicitada diretamente ao fabricante (ver dometic.com/dealer).

Consulte mais informações sobre o produto através do código QR existente no rótulo energético das imagens ou em eprel.ec.europa.eu.

Si prega di leggere attentamente e di seguire tutte le istruzioni, le linee guida e le avvertenze incluse in questo manuale del prodotto, al fine di garantire che il prodotto venga sempre installato, utilizzato e mantenuto nel modo corretto. Queste istruzioni DEVONO essere conservate insieme al prodotto.

Utilizzando il prodotto, l'utente conferma di aver letto attentamente tutte le istruzioni, le linee guida e le avvertenze e di aver compreso e accettato di rispettare i termini e le condizioni qui espressamente indicati. L'utente accetta di utilizzare questo prodotto solo per lo scopo e l'applicazione previsti e in conformità con le istruzioni, le linee guida e le avvertenze indicate nel presente manuale del prodotto, nonché in conformità con tutte le leggi e i regolamenti applicabili. La mancata lettura e osservanza delle istruzioni e delle avvertenze qui espressamente indicate può causare lesioni personali e a terzi, danni al prodotto o ad altre proprietà nelle vicinanze. Il presente manuale del prodotto, comprese le istruzioni, le linee guida e le avvertenze e la relativa documentazione possono essere soggetti a modifiche e aggiornamenti. Per informazioni aggiornate sul prodotto, si prega di visitare il sito documents.dometic.com, dometic.com.

Indice

1	Spiegazione dei simboli	96
2	Istruzioni per la sicurezza	97
3	Dotazione	100
4	Conformità d'uso	100
5	Descrizione delle caratteristiche tecniche	101
6	Installazione e collegamento del mini frigorifero	103
7	Utilizzo del mini frigorifero	105
8	Pulizia e cura	108
9	Eliminazione dei guasti	108
10	Garanzia	110
11	Smaltimento	110
12	Specifiche tecniche.	111

1 Spiegazione dei simboli



PERICOLO!

Indicazione di sicurezza che segnala una situazione di pericolo che se non evitata provoca morte o gravi lesioni.



AVVERTENZA!

Indicazione di sicurezza che segnala una situazione di pericolo che se non evitata può provocare morte o gravi lesioni.

**ATTENZIONE!**

Indicazione di sicurezza che segnala una situazione di pericolo che se non evitata può provocare lesioni lievi o di gravità media.

**AVVISO!**

Indicazione di una situazione che se non evitata può provocare danni materiali.

**NOTA**

Informazioni integranti relative all'impiego del prodotto.

2 Istruzioni per la sicurezza

2.1 Sicurezza generale



AVVERTENZA! La mancata osservanza di queste avvertenze potrebbe causare la morte o lesioni gravi.

Pericolo di scosse elettriche

- Assicurarsi che il mini frigorifero sia stato installato da un tecnico qualificato secondo quanto descritto nel manuale di installazione Dometic.
- Se il mini frigorifero presenta danni visibili, non metterlo in funzione.
- Per evitare possibili pericoli legati alla sicurezza, se il cavo di alimentazione del mini frigorifero è danneggiato deve essere sostituito dal produttore, da un addetto all'assistenza oppure da personale ugualmente qualificato.
- Questo mini frigorifero può essere riparato solo da personale qualificato. Le riparazioni effettuate in modo scorretto possono causare gravi pericoli.

Pericolo di incendio

- Il refrigerante nel circuito di raffreddamento è altamente infiammabile. In caso di danneggiamento del circuito di raffreddamento:
 - Spegnerne il mini frigorifero.
 - Evitare fiamme libere e scintille.
 - Aerare bene l'ambiente.

Pericolo di esplosione

- Non conservare nel mini frigorifero sostanze che possono esplodere, come ad es. bombolette spray con gas propellente infiammabile.

Pericolo per la salute

- Non aprire mai il gruppo di assorbimento perché è sotto alta pressione e, se aperto, può causare lesioni.
- Questo mini frigorifero può essere utilizzato da bambini a partire da 8 anni, da persone con ridotte capacità fisiche, sensoriali o mentali o da persone inesperte o prive di conoscenze specifiche solo se sorvegliate o preventivamente istruite sull'impiego del mini frigorifero in sicurezza e se informate dei pericoli legati al prodotto stesso.
- I bambini non devono giocare con il mini frigorifero.
- La pulizia e la manutenzione non devono essere eseguite da bambini senza la presenza di un adulto.
- I bambini dai 3 agli 8 anni possono riempire e svuotare il mini frigorifero.



ATTENZIONE! La mancata osservanza di queste precauzioni potrebbe causare lesioni lievi o moderate.

Pericolo di schiacciamento

- Non mettere le dita nella cerniera.

Pericolo per la salute

- I prodotti alimentari possono essere conservati solo nelle confezioni originali o in contenitori adeguati.

**AVVISO! Rischio di danni**

- Confrontare i dati della tensione riportati sulla targhetta con quelli delle prese e degli attacchi disponibili.
- Il mini frigorifero non è adatto per la conservazione di sostanze corrosive o solventi.
- L'isolamento del frigorifero contiene ciclopentano infiammabile e necessita di procedure speciali per lo smaltimento. Al termine del suo ciclo di vita consegnare il frigorifero portatile presso un centro di riciclaggio adatto.
- Mantenere l'apertura di scarico sempre pulita.
- Non aprire in nessun caso il circuito di raffreddamento.
- Trasportare il mini frigorifero solo in posizione verticale.

2.2 Uso sicuro del mini frigorifero



PERICOLO! La mancata osservanza di queste avvertenze può causare la morte o lesioni gravi.

Pericolo di scosse elettriche

- Non toccare mai i cavi esposti a mani nude.



ATTENZIONE! La mancata osservanza di queste precauzioni potrebbe causare lesioni lievi o moderate.

Pericolo di scosse elettriche

- Prima della messa in funzione del mini frigorifero, assicurarsi che la linea di alimentazione e la spina siano asciutte.

Pericolo per la salute

- Assicurarsi che nel mini frigorifero si trovino solo oggetti o prodotti che possono essere raffreddati alla temperatura selezionata.
- I prodotti alimentari possono essere conservati solo nelle confezioni originali o in contenitori adeguati.
- L'apertura prolungata della porta può causare un significativo aumento della temperatura nei vani del mini frigorifero.
- Pulire regolarmente le superfici che vengono a contatto con gli alimenti e i sistemi di scarico accessibili.
- Se il mini frigorifero viene lasciato vuoto per lunghi periodi:
 - Spegnerne il mini frigorifero.
 - Sbrinare il mini frigorifero.
 - Pulire e asciugare il mini frigorifero.
 - Lasciare la porta aperta per evitare lo sviluppo di muffe all'interno del mini frigorifero.



AVVISO! Rischio di danni

- Posizionare oggetti pesanti come ad es. bottiglie o lattine esclusivamente nella porta del mini frigorifero o sul ripiano inferiore.
- Non utilizzare apparecchi elettrici all'interno del mini frigorifero, ad eccezione di quelli appositamente consigliati dal produttore.
- Non collocare l'apparecchio nelle vicinanze di fiamme libere o altre fonti di calore (riscaldamento, intensa esposizione ai raggi solari, forni a gas ecc.).
- Assicurarsi che le aperture di aerazione non siano ostruite.
- Non immergere mai il mini frigorifero in acqua.
- Proteggere il mini frigorifero e il cavo dal caldo e dall'umidità.

- Fare attenzione che gli alimenti non entrino in contatto con le pareti della zona di raffreddamento.

3 Dotazione

Quantità	Descrizione
1	Mini frigorifero
1	Istruzioni di montaggio e d'uso

4 Conformità d'uso

L'apparecchio di refrigerazione (chiamato anche mini frigorifero) è progettato per l'utilizzo in edifici chiusi, ad esempio:

- nelle cucine per il personale di negozi, uffici e altre aree di lavoro
- nel settore agricolo
- in hotel, motel e altre strutture ricettive
- nei bed and breakfast
- nelle attività di ristorazione o in analoghe attività di all'ingrosso.

Il mini frigorifero non è adatto per l'installazione in camper o caravan.

Il mini frigorifero è destinato ad essere utilizzato come apparecchio da incasso oppure come apparecchio refrigerante autonomo. Fare riferimento alle istruzioni per l'installazione.

Il mini frigorifero è progettato esclusivamente per il raffreddamento e la conservazione di bevande e alimenti in contenitori chiusi e di alimenti freschi.

Il mini frigorifero non è adatto alla conservazione di medicinali o al congelamento di alimenti.

Questo mini frigorifero è adatto solo per l'uso e l'applicazione previsti in conformità alle presenti istruzioni.

Questo manuale fornisce le informazioni necessarie per la corretta installazione e/o il corretto utilizzo del mini frigorifero. Un'installazione errata e/o un utilizzo o una manutenzione impropri comporteranno prestazioni insoddisfacenti e un possibile guasto.

Il produttore non si assume alcuna responsabilità per eventuali lesioni o danni al prodotto che derivino da:

- montaggio o collegamento non corretti, compresa la sovratensione
- manutenzione non corretta o uso di ricambi diversi da quelli originali forniti dal produttore
- modifiche al prodotto senza esplicita autorizzazione del produttore
- impiego per fini diversi rispetto a quelli descritti nel presente manuale

Dometic si riserva il diritto di modificare l'aspetto e le specifiche del prodotto.

5 Descrizione delle caratteristiche tecniche

L'apparecchio è un mini frigorifero con raffreddamento ad assorbimento. Come refrigerante viene utilizzata l'ammoniaca. Tutti i materiali utilizzati sono adatti per l'uso con i generi alimentari. Il circuito di raffreddamento non necessita di manutenzione.

Il mini frigorifero è disponibile nella versione a posizionamento libero (**FS**) e nella versione a incasso (**BI**).

La **versione a posizionamento libero** è destinata a tale uso. Il coperchio dell'unità di raffreddamento protegge le parti calde delle unità di raffreddamento. Il telaio del piede con aperture di ventilazione garantisce una ventilazione sufficiente. Rimuovendo il telaio del piede e il coperchio del gruppo refrigerante, il mini frigorifero può essere utilizzato come versione a incasso.

La **versione a incasso** è destinata al montaggio in mobili. Non ha il telaio del piede o il coperchio del gruppo refrigerante.

La temperatura si imposta tramite il controllo termostatico posto all'interno del mini frigorifero.

L'elettronica controlla il funzionamento del mini frigorifero dopo ogni fase di sbrinamento misurando l'abbassamento della temperatura dell'evaporatore. Se registra un problema, spegne il mini frigorifero e la luce interna lampeggia in modo continuo.

Il mini frigorifero è dotato di una funzione di sbrinamento automatico. Ogni fase di sbrinamento dura 2 ore. 39 ore dopo l'accensione del frigorifero, inizia la prima fase di sbrinamento. In seguito, ogni 22 ore viene eseguita una fase di sbrinamento.

L'acqua di sbrinamento passa attraverso un tubo di scarico dal canale di sgocciolamento a un vaso evaporatore nella parte posteriore inferiore del mini frigorifero. L'acqua prodotta dallo sbrinamento evapora automaticamente nell'aria di ricircolo, per cui il vaso non deve essere svuotato.

Due sensori nella porta controllano se la porta è aperta.

5.1 Componenti

I diversi tipi di mini frigoriferi sono mostrati nelle seguenti figure:

- DS200: fig. **1**, pagina 3
- DS300: fig. **2**, pagina 4
- DS400: fig. **3**, pagina 5
- DS600: fig. **4**, pagina 6

Pos.	Spiegazione
1	Termostato
2	Luce interna
3	Coperchio per il gruppo refrigerante (solo nei modelli a posizionamento libero)
4	Evaporatore
5	Sportello
6	Bloccaggio porta (opzionale)
7	Sensore dell'aria
8	Telaio del piede (solo nei modelli a posizionamento libero)
9	Griglia
10	Sensore dell'evaporatore
11	Sensore della porta
12	Inserti della porta

6 Installazione e collegamento del mini frigorifero

6.1 Istruzioni per l'installazione del mini frigorifero

Per l'installazione del mini frigorifero osservare le seguenti indicazioni:

- Installare il mini frigorifero in modo tale da permettere all'aria riscaldata di uscire senza difficoltà (o verso l'alto o lateralmente, fig. **5**, pagina 7).

N. nella fig. 5 , pagina 7	Spiegazione
1	Aria fredda di alimentazione
2	Aria di scarico riscaldata
3	Spazio sopra il mini frigorifero se l'aria di scarico non può circolare adeguatamente verso l'alto o lateralmente

- Osservare le seguenti dimensioni di installazione:
 - DS200: fig. **19**, pagina 12
 - DS300: fig. **20**, pagina 13
 - DS400: fig. **21**, pagina 14
 - DS600: fig. **22**, pagina 15
- Tenere le aperture dell'alloggiamento (feritoie di aerazione ecc.) o la struttura d'installazione libere da oggetti.

6.2 Installazione della versione a posizionamento libero

Per installare il mini frigorifero a posizionamento libero, osservare quanto segue:

- Assicurarsi che sia presente il coperchio che protegge i componenti caldi del gruppo di raffreddamento.
- Assicurarsi che sia presente il telaio del pavimento per garantire un'adeguata circolazione dell'aria.
- Collocare il mini frigorifero su una superficie in piano. Controllare con una livella a bolla d'aria.

6.3 Installazione della versione a incasso

**ATTENZIONE! Pericolo per la salute**

Per evitare pericoli a causa dell'instabilità dell'apparecchio, fissarlo secondo le istruzioni.

Se si desidera installare il mini frigorifero nel mobile, osservare le seguenti istruzioni:

- Collocare il mini frigorifero su una superficie in piano. Controllare con una livella a bolla d'aria.
- Mantenere 20 mm di distanza dalle pareti.
- L'aria deve poter circolare senza ostacoli (fig. **5**, pagina 7).
- L'intero gruppo refrigerante deve sporgere nel canale di ventilazione.
- L'aria nel canale di ventilazione non deve essere riscaldata da altre fonti di calore.
- La sezione della griglia di ventilazione deve essere di almeno 200 cm².

Per l'installazione del mini frigorifero, procedere nel modo seguente (fig. **6**, pagina 8):

- Sistemare il mini frigorifero e avvitare i piedini dell'apparecchio.

6.4 Montaggio della maniglia della porta (opzionale)

- Per montare la maniglia della porta, procedere come indicato (fig. **7**, pagina 8).
- Per smontare la maniglia della porta, procedere come indicato (fig. **8**, pagina 8).

6.5 Cambiamento del lato di apertura della porta

**AVVERTENZA! Pericolo di scosse elettriche**

Prima di eseguire qualsiasi lavoro sul mini frigorifero, staccare la spina.

**AVVISO! Pericolo di danni!**

Il mini frigorifero può restare appoggiato su un fianco solo per un breve periodo.

È possibile cambiare il lato di apertura della porta in modo tale da poterla aprire da sinistra invece che da destra.

- ▶ Per la sostituzione della cerniera della porta procedere come indicato:
 - **Versione a posizionamento libero**: da fig. **9**, pagina 9 a fig. **13**, pagina 10
 - **Versione da incasso**: da fig. **10**, pagina 9 a fig. **12**, pagina 9

6.6 Sostituzione della decorazione della porta



AVVISO! Pericolo di danni

Il mini frigorifero può restare appoggiato su un fianco solo per un breve periodo.

La decorazione della porta ha le seguenti dimensioni:

Modello	Larghezza	Altezza	Spessore
DS200	383 ± 0,5 mm	310 ± 0,5 mm	2 mm
DS300	383 ± 0,5 mm	395 ± 0,5 mm	
DS400	383 ± 0,5 mm	395 ± 0,5 mm	
DS600	449 ± 0,5 mm	408 ± 0,5 mm	

- ▶ Se necessario, smontare la maniglia della porta (capitolo “Montaggio della maniglia della porta (opzionale)” a pagina 104).
- ▶ Se necessario, rimuovere l’anello di fissaggio della serratura della porta.
- ▶ Per rimuovere il pannello decorativo, procedere come indicato (fig. **14**, pagina 10).
- ▶ Per montare il pannello decorativo, procedere come indicato (fig. **15**, pagina 10).

7 Utilizzo del mini frigorifero



AVVISO! Rischio di danni

- Prestare attenzione a non raffreddare eccessivamente bevande o vivande liquide conservate in contenitori di vetro. In quanto esse si dilatano se congelate, provocando la rottura dei contenitori di vetro.
- Assicurarsi che nel mini frigorifero si trovino solo oggetti o prodotti che possono essere raffreddati alla temperatura selezionata.

7.1 Prima del primo uso

Per motivi igienici, prima della messa in funzione iniziale del mini frigorifero, pulirne l'interno e l'esterno con un panno umido (vedi anche capitolo "Pulizia e cura" a pagina 108).

7.2 Risparmio energetico

- Aprire il mini frigorifero solo se necessario e per il tempo necessario.
- Prima di immagazzinare cibi caldi nel dispositivo, lasciarli prima raffreddare.
- Evitare un abbassamento eccessivo della temperatura interna se non necessario.
- Per un consumo energetico ottimale, posizionare i ripiani e i cassetti in base alla loro posizione al momento della consegna.
- Controllare regolarmente che la guarnizione della porta aderisca bene.
- Ad intervalli regolari, eliminare dal condensatore polvere ed eventuali impurità.

7.3 Posizionamento dei ripiani

DS200, DS300

Procedere come illustrato (fig. **16**, pagina 11).

DS400, DS600

Procedere come illustrato (fig. **17**, pagina 11).

7.4 Accensione

- ▶ Inserire la spina nella presa.
- ✓ Il mini frigorifero avvia un autotest.
- ✓ Il LED inizialmente lampeggia più volte, poi resta fisso.
- ✓ Il mini frigorifero è acceso.



NOTA

Dopo l'accensione, il mini frigorifero necessita di diverse ore per raggiungere la temperatura di raffreddamento all'interno del vano frigorifero.

7.5 Regolazione della temperatura

Per evitare spreco di cibo, considerare quanto segue:

- Ridurre al minimo le variazioni di temperatura. Aprire il frigorifero solo se necessario e per il tempo necessario. Conservare gli alimenti in modo che l'aria possa continuare a circolare bene.
 - Regolare la temperatura in base alla quantità e al tipo di alimenti.
 - Riporre i diversi alimenti come indicato nelle figure.
 - Gli alimenti possono facilmente assorbire o rilasciare odori o sapori. Conservare sempre gli alimenti coperti o chiusi in contenitori/bottiglie.
- Impostare il controllo termostatico (fig. **18**, pagina 12) sulla posizione centrale. A seconda delle condizioni di riempimento e di installazione, può essere necessaria una posizione diversa. Girando il regolatore verso il simbolo grande si aumenta il raffreddamento; girandolo verso il simbolo piccolo si riduce il raffreddamento.

7.6 Spegnimento e conservazione

Nel caso in cui il mini frigorifero non venga utilizzato per un periodo di tempo prolungato, procedere come segue.

- Estrarre la spina di alimentazione dalla presa.
- Pulire il mini frigorifero (vedi capitolo "Pulizia e cura" a pagina 108).
- Lasciare la porta aperta per evitare la formazione di odori.

7.7 Sostituzione del LED



AVVISO! Rischio di danni

Per prevenire rischi, la lampadina può essere sostituita soltanto dal produttore, da un tecnico di assistenza o da una persona dotata di qualifica analoga.

8 Pulizia e cura



AVVERTENZA! Pericolo di morte a causa di scossa elettrica

Staccare il frigorifero dalla rete ogni volta che si effettua la pulizia e la cura.



AVVISO! Pericolo di danni

- Per la pulizia non impiegare detersivi corrosivi oppure oggetti ruvidi, perché potrebbero danneggiare il frigorifero.
- Non impiegare mai utensili duri o acuminati per rimuovere gli strati di ghiaccio o per liberare oggetti congelati.
- Non utilizzare alcun ausilio meccanico o di qualsiasi altro tipo per accelerare il processo di sbrinamento.

- Con un panno umido pulire il frigorifero regolarmente e non appena sono visibili tracce di sporco.
- Assicurarsi che non goccioli acqua nelle guarnizioni. Questo può danneggiare il sistema elettronico.
- Dopo aver pulito il frigorifero asciugarlo con un panno.
- Controllare il deflusso della condensa con regolarità.
Se necessario pulire il deflusso della condensa. Quando è intasato, la condensa si raccoglie sul pavimento sotto al frigorifero.

9 Eliminazione dei guasti

Guasto	Possibile causa	Soluzione
Nessun raffreddamento, gruppo di assorbimento freddo	Spina di alimentazione non inserita	Inserire la spina di alimentazione nella presa.
	Nessuna tensione sulla presa	Controllare il fusibile domestico.
	Elettronica o sensori guasti	Servizio Assistenza Clienti autorizzato: installare una nuova elettronica o nuovi sensori
	riscaldatore a cartuccia guasto	Servizio Assistenza Clienti autorizzato: installare un nuovo riscaldatore a cartuccia.
	Fase di sbrinamento attiva	Nessuna azione richiesta

Guasto	Possibile causa	Soluzione
Nessun raffreddamento, gruppo di assorbimento caldo	Il frigorifero non è in piano	Allineare il frigorifero con la livella a bolla d'aria.
	Il frigorifero è acceso da poco	Controllare di nuovo il raffreddamento dopo 5 – 6 ore.
	Gruppo refrigerante guasto	Servizio Assistenza Clienti autorizzato: sostituire il frigorifero.
Scarse prestazioni di raffreddamento	Il frigorifero è esposto alla luce diretta del sole	Mettere il frigorifero al riparo dalla luce diretta del sole.
	La porta del frigorifero non si chiude a tenuta stagna	Controllare le distanze (fig. 5 , pagina 7). Servizio Assistenza Clienti autorizzato: sostituire la guarnizione della porta.
	Il frigorifero è stato riempito da poco	Controllare di nuovo il raffreddamento dopo 5–6 ore.
Formazione di brina nel vano frigorifero	La porta del frigorifero non si chiude a tenuta stagna	Controllare le distanze (fig. 5 , pagina 7). Servizio Assistenza Clienti autorizzato: sostituire la guarnizione della porta
	Non raffredda, la luce interna lampeggia	<p>Frigorifero sovraccarico</p> <p>La porta non è stata chiusa correttamente</p> <p>Circolazione d'aria inadeguata per il gruppo refrigerante</p> <p>Il frigorifero non è in piano</p> <ul style="list-style-type: none"> ➤ Scollegare l'apparecchio dalla rete elettrica per almeno 10 s. ➤ Collegare l'apparecchio. <p>Questo resetterà l'elettronica e l'apparecchio dovrebbe riprendere a funzionare normalmente.</p> <p>Se i LED ricominciano a lampeggiare, si è verificato un guasto grave:</p> <ul style="list-style-type: none"> ➤ Contattare un centro riparazioni autorizzato.

10 Garanzia

Vale il termine di garanzia previsto dalla legge. Se il prodotto è difettoso, contattare il rivenditore di fiducia o la filiale del costruttore nel proprio Paese (vedi dometic.com/dealer).

Per la gestione della riparazione e della garanzia è necessario inviare la seguente documentazione insieme al dispositivo:

- una copia della ricevuta con la data di acquisto,
- il motivo della richiesta o la descrizione del guasto.


11 Smaltimento

- Raccogliere il materiale di imballaggio possibilmente negli appositi contenitori di riciclaggio.



Quando il prodotto viene messo fuori servizio definitivamente, informarsi al centro di riciclaggio più vicino, oppure presso il proprio rivenditore specializzato, sulle prescrizioni adeguate concernenti lo smaltimento.

12 Specifiche tecniche

	DS200	DS300	DS400	DS600
Tensione di ingresso:	220 – 240 V			
Potenza nominale di ingresso:	65 W			
Volume totale:	23 l	28 l	34 l	45 l
Classe di efficienza energetica:	D			
Consumo energetico:				
– FS:	0,793 kWh/ 24 h	0,801 kWh/ 24 h	0,807 kWh/ 24 h	0,821 kWh/ 24 h
– BI:	0,809 kWh/ 24 h	0,817 kWh/ 24 h	0,823 kWh/ 24 h	0,836 kWh/ 24 h
Classe climatica:	N		SN	
Uso a temperatura ambiente previsto:	da +10 °C a +32 °C			
Emissioni acustiche:	0 dB(A)			
Agente distaccante:	Ciclopentano			
Refrigerante:	Ammoniaca			
Dimensioni H x B x T:	fig. 19 , pagina 12	fig. 20 , pagina 13	fig. 21 , pagina 14	fig. 22 , pagina 15
Peso:	14 kg	15 kg	17 kg	20 kg
Ispezione/certificazione:				

L'attuale dichiarazione di conformità UE per il proprio apparecchio è disponibile sulla relativa pagina del prodotto al sito dometic.com o direttamente tramite il produttore (vedi dometic.com/dealer).

Ulteriori informazioni sul prodotto sono accessibili tramite il codice QR sull'etichetta energetica nelle figure o al sito eprel.ec.europa.eu.

Lees alle instructies, richtlijnen en waarschuwingen in deze gebruiksaanwijzing en volg ze zorgvuldig op om ervoor te zorgen dat u het product te allen tijde op de juiste manier installeert, gebruikt en onderhoudt. Deze instructies MOETEN bij dit product bewaard worden.

Door het product te gebruiken, bevestigt u hierbij dat u alle instructies, richtlijnen en waarschuwingen zorgvuldig hebt gelezen en dat u de voorwaarden en condities zoals die hierin zijn beschreven begrijpt en accepteert. U gaat ermee akkoord dit product alleen te gebruiken voor het beoogde doel en de beoogde toepassing en in overeenstemming met de instructies, richtlijnen en waarschuwingen zoals beschreven in deze gebruiksaanwijzing en in overeenstemming met de geldende wet- en regelgeving. Het niet lezen en opvolgen van de hierin beschreven instructies en waarschuwingen kan leiden tot letsel voor uzelf en anderen, schade aan uw product of schade aan andere eigendommen in de omgeving. Deze gebruiksaanwijzing, met inbegrip van de instructies, richtlijnen en waarschuwingen, en de bijbehorende documentatie kan onderhevig zijn aan wijzigingen en updates. Actuele productinformatie vindt u op documents.domestic.com, domestic.com.

Inhoudsopgave

1	Verklaring van de symbolen	112
2	Veiligheidsaanwijzingen	113
3	Omvang van de levering	116
4	Beoogd gebruik	116
5	Technische beschrijving	117
6	Minikoelkast opstellen en aansluiten	118
7	De minikoelkast gebruiken	121
8	Reiniging en onderhoud	123
9	Verhelpen van storingen	124
10	Garantie	125
11	Afvoer	125
12	Technische gegevens	126

1 Verklaring van de symbolen



GEVAAR!

Veiligheidsaanwijzing met betrekking tot een gevaarlijke situatie die leidt tot ernstig letsel of de dood, als deze niet wordt vermeden.



WAARSCHUWING!

Veiligheidsaanwijzing met betrekking tot een gevaarlijke situatie die kan leiden tot ernstig letsel of de dood, als deze niet wordt vermeden.

**VOORZICHTIG!**

Veiligheidsaanwijzing met betrekking tot een gevaarlijke situatie die kan leiden tot licht of gemiddeld letsel, als deze niet wordt vermeden.

**LET OP!**

Aanwijzing met betrekking tot een situatie die kan leiden tot materiële schade, als deze niet wordt vermeden.

**INSTRUCTIE**

Meer informatie over de bediening van het product.

2 Veiligheidsaanwijzingen

2.1 Algemene veiligheid



WAARSCHUWING! Het niet in acht nemen van deze waarschuwingen kan leiden tot ernstig letsel of de dood.

Gevaar voor elektrische schokken

- Zorg ervoor dat de minikoelkast wordt geïnstalleerd door een gekwalificeerd technicus en in overeenstemming met de Dometic-montagehandleiding.
- Gebruik de minikoelkast niet als deze zichtbaar beschadigd is.
- Als de stroomkabel van de minikoelkast beschadigd is, moet deze, om gevaren te voorkomen, worden vervangen door de fabrikant, diens klantenservice of een gelijkwaardig gekwalificeerd persoon.
- Reparaties aan deze minikoelkast mogen uitsluitend worden uitgevoerd door gekwalificeerde personen. Door ondeskundige reparaties kunnen grote gevaren ontstaan.

Brandgevaar

- Het koelmiddel in de koelkring is licht ontvlambaar.
In geval van beschadiging van de koelkring:
 - Schakel de minikoelkast uit.
 - Vermijd open vuur en vonken.
 - Ventileer de ruimte goed.

Explosiegevaar

- Bewaar geen explosiegevaarlijke stoffen, zoals spuitbussen met brandbaar drijfgas, in de minikoelkast.

Gevaar voor de gezondheid

- Open het absorptieaggregaat nooit. Het staat onder hoge druk en kan letsel veroorzaken, als het wordt geopend.
- De minikoelkast mag worden gebruikt door kinderen vanaf 8 jaar en ouder evenals door personen met verminderd fysiek, zintuiglijk of mentaal vermogen of gebrek aan kennis en ervaring, mits zij onder toezicht staan of zijn geïnstrueerd in het veilig gebruik van de minikoelkast en zij inzicht hebben in de gevaren die het gebruik ervan met zich meebrengt.
- Kinderen mogen niet met de minikoelkast spelen.
- Reiniging en gebruikersonderhoud mogen niet door kinderen zonder toezicht worden uitgevoerd.
- Kinderen van 3 tot 8 jaar mogen de minikoelkast alleen in- en uitruimen.

**VOORZICHTIG! Het niet in acht nemen van deze waarschuwingen kan leiden tot licht of matig letsel.****Gevaar voor beknelling**

- Grijp niet in het scharnier.

Gevaar voor de gezondheid

- Levensmiddelen mogen alleen in de originele verpakking of in geschikte bakken worden bewaard.

**LET OP! Gevaar voor schade**

- Controleer of de spanning op het typeplaatje overeenkomt met de aanwezige energievoorziening.
- De minikoelkast is niet geschikt voor de opslag van bijtende of oplosmiddelhoudende stoffen.
- De isolatie van het koeltoestel bevat ontvlambaar cyclopentaan en vereist speciale verwerkingsprocedures. Breng het koeltoestel aan het einde van zijn levensduur naar een erkend afvalverwerkingsbedrijf.
- Houd de afvoerleiding altijd schoon.
- Open in geen geval de koelkring.
- Draag de minikoelkast alleen rechtop.

2.2 De minikoelkast veilig gebruiken



GEVAAR! Het niet in acht nemen van deze waarschuwingen leidt tot ernstig letsel of de dood.

Gevaar voor elektrische schokken

- Raak blanke leidingen nooit met blote handen aan.



VOORZICHTIG! Het niet in acht nemen van deze waarschuwingen kan leiden tot licht of matig letsel.

Gevaar voor elektrische schokken

- Let er voor de ingebruikname van de minikoelkast op dat de voedingskabel en de stekker droog zijn.

Gevaar voor de gezondheid

- Zorg ervoor dat u alleen voorwerpen in de minikoelkast legt die op de gekozen temperatuur gekoeld mogen worden.
- Levensmiddelen mogen alleen in de originele verpakking of in geschikte bakken worden bewaard.
- Langdurig openen van de deur kan leiden tot een aanzienlijke temperatuurstijging in de compartimenten van de minikoelkast.
- Reinig afvoersystemen en oppervlakken die in contact komen met levensmiddelen regelmatig.
- Als de minikoelkast voor een langere periode leeg wordt gehouden:
 - Schakel de minikoelkast uit.
 - Ontdooi de minikoelkast.
 - Maak de minikoelkast schoon en droog.
 - Laat de deur open om schimmelvorming in de minikoelkast te voorkomen.



LET OP! Gevaar voor schade

- Bewaar zware voorwerpen zoals flessen of conserven uitsluitend in de deur van de minikoelkast of op de onderste legplank.
- Gebruik geen elektrische apparaten in de minikoelkast, behalve als deze elektrische apparaten daarvoor door de fabrikant worden aanbevolen.
- Plaats het toestel niet in de buurt van open vuur of andere warmtebronnen (verwarming, sterke zonnestraling, gasovens enz.).
- Let op dat de ventilatieopeningen niet afgedekt zijn.
- Dompel de minikoelkast nooit onder in water.
- Bescherm de minikoelkast en de kabels tegen hitte en vocht.

- Let op dat levensmiddelen de wanden van de koelruimte niet aanraken.

3 Omvang van de levering

Aantal	Beschrijving
1	Minikoelkast
1	Montage- en gebruiksaanwijzing

4 Beoogd gebruik

Het koeltoestel (ook minikoelkast genoemd) is ontworpen voor gebruik in omliggende gebouwen, bijvoorbeeld:

- In personeelskeukens van winkels, kantoren en andere werkplekken
- In de landbouwsector
- In hotels, motels en andere accommodaties
- In bed and breakfasts
- In cateringbedrijven of vergelijkbare groothandelszaken

De minikoelkast is niet geschikt voor inbouw in caravans of campers.

De minikoelkast is bedoeld voor gebruik als inbouwtoestel of als vrijstaand koeltoestel. Zie de installatie-instructies.

De minikoelkast is uitsluitend ontworpen voor het koelen en bewaren van dranken en levensmiddelen in gesloten bakken en verse levensmiddelen.

De minikoelkast is niet geschikt voor het bewaren van medicijnen of voor het invriezen van levensmiddelen.

De minikoelkast is alleen geschikt voor het beoogde gebruik en de toepassing in overeenstemming met deze gebruiksaanwijzing.

Deze handleiding geeft informatie die nodig is voor een goede installatie en/of bediening van de minikoelkast. Een slechte installatie en/of verkeerde bediening of onderhoud leidt tot onbevredigende prestaties en mogelijke storingen.

De fabrikant aanvaardt geen aansprakelijkheid voor letsel of schade aan het product die het gevolg is van:

- Onjuiste montage of aansluiting, inclusief te hoge spanning

- Onjuist onderhoud of gebruik van andere dan door de fabrikant geleverde originele reserveonderdelen
- Wijzigingen van het product zonder uitdrukkelijke toestemming van de fabrikant
- Gebruik voor andere doeleinden dan beschreven in deze handleiding

Dometic behoudt zich het recht voor om het uiterlijk en de specificaties van het product te wijzigen.

5 Technische beschrijving

Het toestel is een minikoelkast met absorptiekoeling. Als koudemiddel wordt ammoniak gebruikt. Alle gebruikte materialen zijn geschikt voor levensmiddelen. De koelkring is onderhoudsvrij.

De minikoelkast is verkrijgbaar als vrijstaande versie (**FS**) en als inbouwversie (**BI**).

De **vrijstaande versie** is bestemd voor vrijstaand gebruik. De afdekking van het koelaggregaat beschermt de warme onderdelen van het koelaggregaat. Het grondframe met ventilatieopeningen garandeert voldoende ventilatie. Door het grondframe en de afdekking van het koelaggregaat te verwijderen, kan de minikoelkast ook als inbouwversie worden gebruikt.

De **inbouwversie** is bestemd om in meubilair te worden ingebouwd. Deze versie heeft geen grondframe of afdekking voor het koelaggregaat.

De temperatuur wordt ingesteld met de thermostaatregelaar aan de binnenkant van de minikoelkast.

De elektronica controleert na elke ontdooifase de werking van de minikoelkast door de temperatuurdaling van de verdamper te meten. Als een probleem wordt vastgesteld, wordt de minikoelkast uitgeschakeld en blijft de binnenverlichting continu knipperen.

De minikoelkast is uitgerust met een automatische ontdooifunctie. Elke ontdooifase duurt 2 uur. 39 uur na het inschakelen van het koeltoestel begint de eerste ontdooifase. Daarna wordt om de 22 uur een ontdooifase uitgevoerd.

Het dooiwater loopt via een afvoerbuys van het druppelkanaal naar een verdampervat aan de onderzijde van de minikoelkast. Het dooiwater verdampt automatisch in de circulatielucht, zodat het vat niet hoeft te worden geleegd.

Twee deursensors controleren of de deur open is.

5.1 Componenten

De verschillende soorten minikoelkast zijn in de volgende afbeeldingen weergegeven:

- DS200: afb. **1**, pagina 3
- DS300: afb. **2**, pagina 4
- DS400: afb. **3**, pagina 5
- DS600: afb. **4**, pagina 6

Pos.	Toelichting
1	Thermostaat
2	Binnenverlichting
3	Afdekking voor koelaggregaat (alleen bij vrijstaande modellen)
4	Verdamper
5	Deur
6	Deurslot (optioneel)
7	Luchtsensor
8	Grondframe (alleen bij vrijstaande modellen)
9	Legplank
10	Verdampersensor
11	Deursensor
12	Losse deuronderdelen

6 Minikoelkast opstellen en aansluiten

6.1 instructies voor het opstellen van de minikoelkast

Neem de volgende instructies in acht bij het opstellen van de minikoelkast:

- Stel de minikoelkast zo op dat de geproduceerde warme lucht goed kan weg-trekken (naar boven of naar de zijkanten, afb. **5**, pagina 7).

Nr. in afb. 5 , pagina 7	Toelichting
1	Koude toevoerlucht
2	Verwarmde afvoerlucht
3	Vrije ruimte boven de minikoelkast als de afvoerlucht niet voldoende naar boven of naar de zijkanten kan circuleren

- Neem de volgende montage-afmetingen in acht:
 - DS200: afb. **19**, pagina 12
 - DS300: afb. **20**, pagina 13
 - DS400: afb. **21**, pagina 14
 - DS600: afb. **22**, pagina 15
- Houd openingen (ventilatiesleuven enz.) in de behuizing of de inbouwstructuur vrij van voorwerpen.

6.2 Vrijstaande versie opstellen

Neem de volgende instructies in acht om de minikoelkast in een vrijstaande positie op te stellen:

- Zorg ervoor dat de afdekking die de hete componenten van het koelaggregaat moet beschermen is aangebracht.
 - Zorg ervoor dat het grondframe aanwezig is om voor een goede luchtcirculatie te zorgen.
- Plaats de minikoelkast op een horizontaal oppervlak. Gebruik een waterpas om dit te controleren.

6.3 Inbouwversie opstellen



VOORZICHTIG! Gevaar voor de gezondheid

Om gevaar door instabiliteit van het toestel te voorkomen, moet het volgens de instructies worden bevestigd.

Neem de volgende instructies in acht als u de minikoelkast in een kast wilt monteren:

- Plaats de minikoelkast op een horizontaal oppervlak. Gebruik een waterpas om dit te controleren.
- Houd 20 mm afstand tot de muren.
- De lucht moet zonder belemmeringen kunnen circuleren (afb. **5**, pagina 7).

- Het gehele koelaggregaat moet zoals afgebeeld in het ventilatiekanaal steken.
- De lucht in het ventilatiekanaal mag niet worden verwarmd door andere warmtebronnen.
- Het ventilatierooster moet een doorsnede hebben van ten minste 200 cm².

Ga als volgt te werk om de minikoelkast op te stellen (afb. **6**, pagina 8):

- ▶ Plaats de minikoelkast en schroef de poten van het toestel vast.

6.4 Het handvat op de deur monteren (optioneel)

- ▶ Ga te werk zoals weergegeven om het handvat aan de deur te monteren (afb. **7**, pagina 8).
- ▶ Ga te werk zoals weergegeven om het handvat van de deur te demonteren (afb. **8**, pagina 8).

6.5 Deuraanslag wijzigen



WAARSCHUWING! Gevaar voor elektrische schokken

Trek de stekker uit het stopcontact alvorens werkzaamheden aan de minikoelkast uit te voeren.



LET OP! Gevaar voor beschadiging!

De minikoelkast mag slechts kort op zijn zij liggen.

U kunt de aanslag van de deur wijzigen, zodat de deur naar links in plaats van naar rechts opengaat.

- ▶ Ga te werk zoals weergegeven om de deuraanslag te wijzigen:
 - **Vrijstaande versie:** afb. **9**, pagina 9 tot afb. **13**, pagina 10
 - **Inbouwversie:** afb. **10**, pagina 9 tot afb. **12**, pagina 9

6.6 Deurdecor vervangen



LET OP! Gevaar voor beschadiging

De minikoelkast mag slechts kort op zijn zij liggen.

Het deurdecor heeft de volgende afmetingen:

Model	Breedte	Hoogte	Dikte
DS200	383 ± 0,5 mm	310 ± 0,5 mm	2 mm
DS300	383 ± 0,5 mm	395 ± 0,5 mm	
DS400	383 ± 0,5 mm	395 ± 0,5 mm	
DS600	449 ± 0,5 mm	408 ± 0,5 mm	

- Demonteer de deurgreep, indien nodig (hoofdstuk „Het handvat op de deur monteren (optioneel)” op pagina 120).
- Verwijder de borgring van het slot, indien nodig.
- Ga te werk zoals weergegeven om de decorplaat te verwijderen (afb. **14**, pagina 10).
- Ga te werk zoals weergegeven om de decorplaat te monteren (afb. **15**, pagina 10).

7 De minikoelkast gebruiken



LET OP! Gevaar voor schade

- Zorg ervoor dat drank of voedsel in glazen flessen niet te sterk afkoelt. Bij het bevroren zetten drank of vloeibare levensmiddelen uit. Hierdoor kunnen de glazen flessen kapot gaan.
- Zorg ervoor dat u alleen voorwerpen in de minikoelkast legt die op de gekozen temperatuur gekoeld mogen worden.

7.1 Voor het eerste gebruik

Voordat u de nieuwe minikoelkast in gebruik neemt, moet u deze om hygiënische redenen van binnen en van buiten reinigen met een vochtige doek (zie ook hoofdstuk „Reiniging en onderhoud” op pagina 123).

7.2 Energie besparen

- Open de minikoelkast uitsluitend indien nodig en slechts zo lang als noodzakelijk.
- Laat warme levensmiddelen eerst afkoelen alvorens deze in het toestel koel te houden.

- Vermijd een onnodig lage binnentemperatuur.
- Plaats de legplanken en laden voor een optimaal energieverbruik in de positie zoals bij levering.
- Controleer regelmatig of de deurafdichting nog goed zit.
- Verwijder regelmatig stof en vuil van de condensor.

7.3 Legplanken aanbrengen

DS200, DS300

Ga als volgt te werk (afb. **16**, pagina 11).

DS400, DS600

Ga als volgt te werk (afb. **17**, pagina 11).

7.4 Inschakelen

- ▶ Steek de netstekker in het stopcontact.
- ✓ De minikoelkast begint een zelftest.
- ✓ Het ledlampje knippert eerst een paar keer en brandt dan continu.
- ✓ De minikoelkast is ingeschakeld.



INSTRUCTIE

Na het inschakelen heeft de minikoelkast enkele uren nodig om de koeltemperatuur in het compartiment te bereiken.

7.5 Temperatuur instellen

Let op het volgende om voedselverspilling tegen te gaan:

- Houd temperatuurschommelingen zo laag mogelijk. Open de koelkast uitsluitend indien nodig en slechts zo lang als noodzakelijk. Berg levensmiddelen zodanig op dat de lucht nog steeds goed kan circuleren.
- Pas de temperatuur aan aan de hoeveelheid en het type levensmiddelen.
- Bewaar de verschillende soorten levensmiddelen zoals afgebeeld.
- Levensmiddelen kunnen snel geuren en smaken opnemen of afgeven. Berg levensmiddelen daarom altijd afgedekt of in afgesloten bakken/flessen op.
- ▶ Zet de thermostaatregelaar (afb. **18**, pagina 12) in de middelste stand.

Afhankelijk van de vulling en de opstelvoorwaarden kan een andere stand noodzakelijk zijn. Door de regelaar in de richting van het grote symbool te draaien, wordt de koeling verhoogd; door de regelaar in de richting van het kleine symbool te draaien, wordt de koeling verlaagd.

7.6 Uitschakelen en opslaan

Als u van plan bent de minikoelkast gedurende een langere periode niet te gebruiken, gaat u als volgt te werk:

- ▶ Trek de stekker uit het stopcontact.
- ▶ Maak de minikoelkast schoon (zie hoofdstuk „Reiniging en onderhoud“ op pagina 123).
- ▶ Laat de deur open om geurvorming te voorkomen.

7.7 Ledlampje vervangen



LET OP! Gevaar voor beschadiging

Om gevaren te voorkomen moet de lamp worden vervangen door de fabrikant, servicemedewerker of een gelijkwaardig gekwalificeerde persoon.

8 Reiniging en onderhoud



WAARSCHUWING! Levensgevaar door elektrische schok

Scheid de koelkast voor reiniging en onderhoud van het net.



LET OP! Gevaar voor beschadiging

- Gebruik voor het reinigen geen bijtende schoonmaakmiddelen of harde voorwerpen, de koelkast zou hierdoor beschadigd kunnen raken.
- Gebruik nooit hard of spits gereedschap voor het verwijderen van ijslagen of het losmaken van vastgevroren voorwerpen.
- Gebruik geen mechanische of andere hulpmiddelen om het ontdooien te versnellen.

- ▶ Reinig de koelkast regelmatig en als hij vuil is met een vochtige doek.
- ▶ Let erop dat er geen water in de afdichtingen druppelt. Dit kan de elektronica beschadigen.

- Wis de koelkast na de reiniging droog met een doek.
- Controleer de dooiwaterafvoer regelmatig.
Reinig de dooiwaterafvoer indien nodig. Als deze verstopt is, blijft het dooiwater achter op de bodem van de koelkast.

9 Verhelpen van storingen

Fout	Mogelijke oorzaak	Oplossing
Toestel koelt niet, absorptieaggregaat koud	Stekker niet in het stopcontact	Steek de netstekker in het stopcontact.
	Geen spanning op het stopcontact	Controleer de stoppenkast.
	Elektronica of sensoren defect	Erkende klantenservice: nieuwe elektronica of sensoren installeren.
	Verwarmingspatroon defect	Erkende klantenservice: nieuwe verwarmingspatroon installeren.
Toestel koelt niet, absorptieaggregaat warm	Ontdooifase actief	Geen handeling vereist
	Koelkast staat niet horizontaal	Stel koelkast af met waterpas.
	Koelkast is pas net ingeschakeld	Controleer de koeltemperatuur nog eens na 5 tot 6 uur.
Slechte koelprestaties	Koelaggregaat defect	Erkende klantenservice: koelkast vervangen.
	Koelkast is blootgesteld aan direct zonlicht	Haal de koelkast uit het zonlicht.
	Deur van de koelkast sluit niet luchtdicht	Controleer de spelingen (afb. 5, pagina 7). Erkende klantenservice: deurafdichting vervangen.
Rijpvorming in het koelkastcompartiment	Koelkast is pas net gevuld	Controleer de koeltemperatuur nog eens na 5 tot 6 uur.
	Deur van de koelkast sluit niet luchtdicht	Controleer de spelingen (afb. 5, pagina 7) Erkende klantenservice: vervang de deurafdichting

Fout	Mogelijke oorzaak	Oplossing
Koelt niet, binnenverlichting knippert continu	Koelkast overbelast	▶ Ontkoppel het toestel ten minste 10 seconden van de stroomvoorziening.
	Deur werd niet correct gesloten	▶ Sluit het toestel aan
	Geen goede luchtcirculatie voor het koelaggregaat	Hierdoor wordt de elektronica gereset en zou het toestel weer normaal moeten werken.
	Koelkast staat niet horizontaal	Als het ledlampje weer gaat knippen, is een ernstige storing opgetreden: ▶ Raadpleeg een erkende reparatiewerkplaats.

10 Garantie

De wettelijke garantieperiode is van toepassing. Als het product defect is, neem dan contact op met de detailhandel of met het filiaal van de fabrikant in uw land (zie dometic.com/dealer).

Stuur voor de afhandeling van reparaties of garantie volgende documenten mee:

- Een kopie van de factuur met datum van aankoop
- De reden voor de claim of een beschrijving van de fout


11 Afvoer

- ▶ Laat het verpakkingsmateriaal indien mogelijk recycelen.



Als u het product definitief buiten bedrijf stelt, informeer dan bij het dichtstbijzijnde recyclingcentrum of uw speciaalzaak naar de betreffende afvoervoorschriften.

12 Technische gegevens

	DS200	DS300	DS400	DS600
Voedingsspanning:	220 – 240 V			
Nominaal opgenomen vermogen:	65 W			
Totaal volume:	23 l	28 l	34 l	45 l
Energie-efficiëntieklasse:	D			
Energieverbruik:				
– FS:	0,793 kWh/ 24 h	0,801 kWh/ 24 h	0,807 kWh/ 24 h	0,821 kWh/ 24 h
– BI:	0,809 kWh/ 24 h	0,817 kWh/ 24 h	0,823 kWh/ 24 h	0,836 kWh/ 24 h
Klimaatklasse:	N		SN	
Beoogde omgevingstemperatuur:	+10 °C tot +32 °C			
Geluidsemissie:	0 dB(A)			
Drijfgas:	Cyclopentaan			
Koelmiddel:	Ammoniak			
Afmetingen h x b x d:	afb. 19 , pagina 12	afb. 20 , pagina 13	afb. 21 , pagina 14	afb. 22 , pagina 15
Gewicht:	14 kg	15 kg	17 kg	20 kg
Keuring/certificering:				

De actuele EG-conformiteitsverklaring voor uw apparaat ontvangt u op de desbetreffende productpagina van dometic.com of direct via de fabrikant (zie dometic.com/dealer).

Meer informatie over het product is beschikbaar via de QR-code op het energielabel in de afbeeldingen of op eprel.ec.europa.eu.

Læs og følg alle disse anvisninger, retningslinjer og advarsler i denne produktvejledning grundigt for at sikre, at du altid installerer, bruger og vedligeholder produktet korrekt. Disse anvisninger SKAL opbevares sammen med dette produkt.

Ved at benytte produktet bekræfter du hermed, at du har læst alle anvisninger, retningslinjer og advarsler grundigt, og at du forstår og er indforstået med de vilkår og betingelser, der er fastlagt heri. Du er indforstået med kun at bruge dette produkt til det beregnede formål og anvendelse i overensstemmelse med anvisningerne, retningslinjerne og advarslerne i denne produktvejledning samt i overensstemmelse med alle de gældende love og forskrifter. Manglende læsning og ignorering af disse anvisninger og advarsler kan medføre kvæstelser på dig selv og andre, skade på dit produkt eller skade på anden ejendom i nærheden. Der tages forbehold for eventuelle ændringer og opdateringer af denne produktvejledning samt anvisningerne, retningslinjerne og advarslerne samt den tilhørende dokumentation. Se documents.dometic.com, dometic.com for de nyeste produktinformationer.

Indholdsfortegnelse

1	Forklaring af symbolerne	127
2	Sikkerhedshenvisninger	128
3	Leveringsomfang	131
4	Korrekt brug	131
5	Teknisk beskrivelse	132
6	Montering og tilslutning af minikøleskabet	133
7	Brug af minikøleskabet	136
8	Rengøring og vedligeholdelse	138
9	Udbedring af fejl	138
10	Garanti	140
11	Bortskaffelse	140
12	Tekniske data	141

1 Forklaring af symbolerne



FARE!

Sikkerhedshenvisning til en farlig situation, der medfører død eller alvorlige kvæstelser, hvis den ikke undgås.



ADVARSEL!

Sikkerhedshenvisning til en farlig situation, der kan medføre død eller alvorlige kvæstelser, hvis den ikke undgås.

**FORSIGTIG!**

Sikkerhedshenvisning til en farlig situation, der kan medføre lette eller mindre kvæstelser, hvis den ikke undgås.

**VIGTIGT!**

Henvisning til en situation, der kan medføre materielle skader, hvis den ikke undgås.

**BEMÆRK**

Supplerende informationer om betjening af produktet.

2 Sikkerhedshenvisninger

2.1 Grundlæggende sikkerhed



ADVARSEL! Manglende overholdelse af disse advarsler kan medføre dødelige eller alvorlige kvæstelser.

Fare for elektrisk stød

- Kontrollér, at minikøleskabet er blevet monteret af en kvalificeret tekniker i overensstemmelse med monteringsvejledningen fra Dometic.
- Hvis minikøleskabet har synlige beskadigelser, må du ikke tage det i brug.
- Hvis minikøleskabets tilslutningskabel er beskadiget, skal det udskiftes af producenten eller dennes servicerepræsentant eller en tilsvarende uddannet person for at forhindre sikkerhedsfarer.
- Reparationer på dette minikøleskab må kun foretages af kvalificeret personale. Ved ukorrekte reparationer kan der opstå betydelige farer.

Brandfare

- Kølemidlet i kølekredsløbet er letantændeligt. Ved en beskadigelse af kølemiddelkredsløbet:
 - Sluk for minikøleskabet.
 - Undgå åben ild og antændelsesgnister.
 - Udluft rummet grundigt.

Eksplodingsfare

- Opbevar ikke eksplosive stoffer, som f.eks. spraydåser med drivgas, i minikøleskabet.

Sundhedsfare

- Åbn aldrig absorptionsaggregatet. Det står under tryk og kan forårsage kvæstelser, når det åbnes.
- Dette minikøleskab kan anvendes af børn over 8 år og personer med reducerede fysiske, sanse- eller mentale evner eller uden erfaring eller viden, hvis de er under opsyn eller blev instrueret i sikker brug af minikøleskabet og forstår de involverede farer.
- Børn må ikke lege med minikøleskabet.
- Rengøring og vedligeholdelse må ikke udføres af børn uden opsyn.
- Børn i alderen fra 3 til 8 år må fylde og tømme minikøleskabet.



FORSIGTIG! Manglende overholdelse af disse forsigtigheds-henvisninger kan medføre mindre eller moderate kvæstelser.

Risiko for at komme i klemme

- Grib ikke ind i hængslet.

Sundhedsfare

- Fødevarer må kun opbevares i original emballage eller egnede beholdere.

**VIGTIGT! Fare for beskadigelse**

- Sammenlign spændingsangivelsen på typeskiltet med energiforsyningen, der er til rådighed.
- Minikøleskabet er ikke egnet til opbevaring af stoffer, der er ætsende eller indeholder opløsningsmidler.
- Køleapparatets isolering indeholder brændbar cyklopentan og kræver specielle bortskaffelsesprocedurer. Aflever køleapparatet på genbrugsstationen ved afslutningen af dets levetid.
- Hold altid udløbsåbningen ren.
- Åbn under ingen omstændigheder kølekredsløbet.
- Bær kun minikøleskabet opret.

2.2 Sikker betjening af minikøleskabet

FARE! Manglende overholdelse af disse advarsler medfører dødelige eller alvorlige kvæstelser.

Fare for elektrisk stød

- Tag aldrig fat i uisolerede ledninger med bare hænder.

**FORSIGTIG! Manglende overholdelse af disse forsigtigheds-henvisninger kan medføre mindre eller moderate kvæstelser.****Fare for elektrisk stød**

- Kontrollér, at ledningen og stikket er tørre, før minikøleskabet startes.

Sundhedsfare

- Kontrollér, at der kun er genstande eller varer i minikøleskabet, der må afkøles til den valgte temperatur.
- Madvarer må kun opbevares i original emballage eller egnede beholdere.
- Hvis døren er åben i længere tid, kan temperaturen stige betydeligt i minikøleskabets rum.
- Rengør regelmæssigt overflader, som kan komme i kontakt med levnedsmidler og adgang til kloaksystemer.
- Hvis minikøleskabet er tomt i længere tid:
 - Sluk for minikøleskabet.
 - Afrim minikøleskabet.
 - Rengør og tør minikøleskabet.
 - Lad døren være åben for at forhindre, at der dannes mug inden i minikøleskabet.

**VIGTIGT! Fare for beskadigelse**

- Opbevar udelukkende tunge genstande som f.eks. flasker eller dåser i minikøleskabets dør eller på den nederste hylde.
- Anvend ikke el-apparater i minikøleskabet, undtagen hvis producenten anbefaler disse el-apparater hertil.
- Stil det ikke i nærheden af åben ild eller andre varmekilder (varmeapparater, stærk sol, gasovne osv.).
- Kontrollér, at ventilationsåbningerne ikke er tildækket.
- Dyp aldrig minikøleskabet i vand.
- Beskyt minikøleskabet og kablerne mod varme og fugtighed.
- Sørg for, at fødevarerne ikke berører kølerummets væg.

3 Leveringsomfang

Antal	Beskrivelse
1	Minikøleskab
1	Monterings- og betjeningsvejledning

4 Korrekt brug

Køleapparatet (også betegnet som minikøleskab) er beregnet til anvendelse i lukkede bygninger, som f.eks.:

- I personalekøkkener i forretninger, på kontorer og andre arbejdsområder
- I landbrugssektoren
- I hoteller, moteller og anden overnatningsmuligheder
- I pensionater
- I cateringvirksomheder eller tilsvarende engrosvirksomheder

Minikøleskabet er ikke egnet til indbygning i campingvogne eller autocampere.

Minikøleskabet er enten beregnet til anvendelse som et indbygget apparat eller som et fritstående køleapparat. Se monteringsanvisningerne.

Minikøleskabet er udelukkende beregnet til at køle og opbevare drikkevarer og fødevarer i lukkede beholdere.

Minikøleskabet er ikke egnet til at opbevare medicin eller at fryse fødevarer.

Dette minikøleskab er kun egnet til dets beregnede formål og anvendelse i overensstemmelse med disse anvisninger.

Denne vejledning giver dig oplysninger om, hvad der er nødvendigt med henblik på en korrekt montering og/eller drift af minikøleskabet. Dårlig montering og/eller ukorrekt drift eller vedligeholdelse medfører utilstrækkelig ydeevne og mulige fejl.

Producenten påtager sig intet ansvar for kvæstelser eller skader i forbindelse med produktet, der skyldes:

- Ukorrekt samling eller forbindelse inklusive for høj spænding
- Ukorrekt vedligeholdelse eller brug af uoriginale reservedele, der ikke stammer fra producenten
- Ændringer på produktet uden udtrykkelig tilladelse fra producenten
- Brug til andre formål end dem, der er beskrevet i vejledningen

Dometic forbeholder sig ret til at ændre produktets udseende og produktspecifikationer.

5 Teknisk beskrivelse

Apparatet er et minikøleskab med absorptionskøling. Der anvendes ammoniak som kølemiddel. Alle anvendte materialer er kompatible med brug med fødevarer. Kølekredsløbet er vedligeholdelsesfrit.

Minikøleskabet kan fås som fritstående version (**FS**) og som indbygget version (**BI**).

Den **fritstående version** er beregnet til fritstående brug. Køleaggregatets afdækning beskytter de varme dele af køleaggregaterne. Bundrammen med ventilationsåbninger sikrer tilstrækkelig ventilation. Ved at fjerne bundrammen og køleaggregatets afdækning kan minikøleskabet anvendes som indbygget version.

Den **indbyggede version** er beregnet til at blive indbygget i møbler. Den har ikke en bundramme eller køleaggregatets afdækning.

Temperaturen indstilles med den termostatiske regulering indvendigt i minikøleskabet.

Elektronikken kontrollerer minikøleskabets funktion efter hver afrimning ved at måle faldet i fordampertemperaturen. Hvis der registreres et problem, lukker den minikøleskabet ned, og den indvendige belysning blinker kontinuerligt.

Minikøleskabet er udstyret med en automatisk afrimningsfunktion. Hver afrimningsfase varer 2 timer. 39 timer efter køleapparatet er blevet tændt, starter den første afrimningsfase. Derefter udføres der en afrimningsfase hver 22. time.

Afrimningsvandet løber via et drænrør fra drykkanalen til det fordamperkar på bagsiden af minikøleskabet. Afrimningsvandet fordamper automatisk til cirkulationsluften, så karret ikke behøver at blive tømt.

To dørsensorer kontrollerer, om døren er åben.

5.1 Komponenter

De forskellige typer minikøleskabe er vist på følgende figurer:

- DS200: fig. **1**, side 3
- DS300: fig. **2**, side 4
- DS400: fig. **3**, side 5
- DS600: fig. **4**, side 6

Pos.	Forklaring
1	Termostat
2	Indvendig belysning
3	Afdækning til køleenhed (kun på fritstående modeller)
4	Fordamper
5	Klap
6	Dørlås (option)
7	Luftsensor
8	Dørramme (kun på fritstående modeller)
9	Hylde
10	Fordampersensor
11	Dørsensor
12	Dørindsatser

6 Montering og tilslutning af minikøleskabet

6.1 Anvisninger til montering af minikøleskabet

Overhold følgende, når du monterer minikøleskabet:

- Opstil minikøleskabet, så den opvarmede luft nemt kan slippe bort (enten opad eller til siderne, fig. **5**, side 7).

Nr. på fig. 5 , side 7	Forklaring
1	Kold tilført luft
2	Opvarmet udgangsluft
3	Afstanden over minikøleskabet, hvis udgangsluften ikke kan cirkulere tilstrækkeligt opad eller til siden

- Overhold følgende monteringsmål:
 - DS200: fig. **19**, side 12
 - DS300: fig. **20**, side 13
 - DS400: fig. **21**, side 14
 - DS600: fig. **22**, side 15
- Hold åbninger (ventilationsåbninger osv.) i kabinettet eller indbygningsstrukturen fri for genstande.

6.2 Installation af fritstående version

Overhold følgende under opstilling af minikøleskabet i en fritstående position:

- Sørg for, at afdækningen, der beskytter køleenhedens varme komponenter, er anbragt.
 - Kontrollér, at gulvrammen er anbragt, så der er tilstrækkelig luftcirkulation.
- Stil minikøleskabet på en plan overflade. Brug et vaterpas til at kontrollere det.

6.3 Installation af indbygget version



FORSIGTIG! Sundhedsfare

For at undgå en fare, fordi apparatet er ustabil, skal det fastgøres i overensstemmelse med anvisningerne.

Overhold følgende anvisninger, hvis du vil installere minikøleskabet i møbler:

- Stil minikøleskabet på en plan overflade. Brug et vaterpas til at kontrollere det.
- Overhold en afstand på 20 mm til væggene.
- Luft skal kunne cirkulere uden nogen hindring (fig. **5**, side 7).
- Hele køleenheden skal kunne være i ventilationskanalen.
- Luften i ventilationskanalen må opvarmes af andre varmekilder.
- Ventilationsgitteret skal have et tværsnit på mindst 200 cm².

Gør følgende for at opstille minikøleskabet (fig. **6**, side 8):

- Stil minikøleskabet opret, og skru fødderne på apparatet.

6.4 Montering af dørhåndtag (valgfrit)

- Fortsæt som vist for at dørhåndtaget på (fig. **7**, side 8).
- Fortsæt som vist for at tage dørhåndtaget af (fig. **8**, side 8).

6.5 Flytning af dørhængslet



ADVARSEL! Fare for elektrisk stød

Før du udfører noget arbejde på minikøleskabet, skal du trække strømstikket ud.



VIGTIGT! Fare for beskadigelse!

Minikøleskabet må kun ligge i kort tid på dets side.

Du kan også ændre dørens anslag, så døren åbner mod venstre i stedet for mod højre.

- ▶ Fortsæt som vist for at skifte døranslaget:
 - **Fritstående version:** fig. **9**, side 9 til fig. **13**, side 10
 - **Indbygget version:** fig. **10**, side 9 til fig. **12**, side 9

6.6 Udskiftning af dørdekoration



VIGTIGT! Fare for beskadigelse

Minikøleskabet må kun ligge kortvarigt på dets side.

Dørpanelet har følgende mål:

Model	Bredde	Højde	Tykkelse
DS200	383 ± 0,5 mm	310 ± 0,5 mm	2 mm
DS300	383 ± 0,5 mm	395 ± 0,5 mm	
DS400	383 ± 0,5 mm	395 ± 0,5 mm	
DS600	449 ± 0,5 mm	408 ± 0,5 mm	

- ▶ Afmontér om nødvendige dørhåndtaget (kapitlet „Montering af dørhåndtag (valgfrit)” på side 134).
- ▶ Fjern om nødvendigt holderingen i dørlåsen.
- ▶ Fortsæt som vist for at tage dekorationslisten af (fig. **14**, side 10).
- ▶ Fortsæt som vist for at sætte dekorationslisten på (fig. **15**, side 10).

7 Brug af minikøleskabet



VIGTIGT! Fare for beskadigelse

- Sørg for, at drikkevarer eller mad i glasbeholdere ikke afkøles for kraftigt. Drikkevarer og mad med stort væskeindhold udvider sig, når de fryses. Dette kan ødelægge glasbeholdere.
- Sørg for, at der kun er genstande eller varer i minikøleskabet, der må afkøles til den valgte temperatur.

7.1 Før første brug

Før du tager det nye minikøleskab i brug, bør du af hygiejniske årsager rengøre det indvendigt og udvendigt med en fugtig klud (se også kapitlet „Rengøring og vedligeholdelse“ på side 138).

7.2 Energibesparelse

- Åbn kun minikøleskabet, så tit og så længe det er nødvendigt.
- Lad først varm mad afkøle, før du anbringer den i apparatet for at køle det ned.
- Undgå unødigt lav indvendig temperatur.
- Placér hylderne og skufferne i overensstemmelse med deres position ved leveringen for at opnå optimalt energiforbrug.
- Kontrollér regelmæssigt, at dørens tætning stadig passer rigtigt.
- Rengør med regelmæssige mellemrum kondensatoren for støv og urenheder.

7.3 Positionering af hylderne

DS200, DS300

Fortsæt som vist (fig. **16**, side 11).

DS400, DS600

Fortsæt som vist (fig. **17**, side 11).

7.4 Tænding

- ▶ Sæt netstikket i stikdåsen.
- ✓ Minikøleskabet starter en selvtest.

- ✓ LED'en blinker først flere gange, og derefter lyser den kontinuerligt.
- ✓ Minikøleskabet er tændt.

**BEMÆRK**

Efter at være blevet tændt har minikøleskabet brug for flere timer til at nå køletemperaturen i minikøleskabets rum.

7.5 Indstilling af temperaturen

Vær opmærksom på følgende for at undgå fødevarespild:

- Hold temperaturudsving så lave som muligt. Åbn kun køleskabet, så tit og så længe det er nødvendigt. Opbevar fødevarer, så luften stadig kan cirkulere godt.
 - Justér temperaturen til fødevarernes mængde og type.
 - Opbevar de forskellige madvarer som vist på billederne.
 - Fødevarer kan nemt absorbere eller afgive lugt eller smag. Opbevar altid fødevarer tildækket eller i lukkede beholdere/flasker.
- Indstil den termostatiske regulering (fig. 18, side 12) på midterpositionen. Afhængigt af opfyldningen og installationsforholdene kan det være nødvendigt med en anden position. Ved at dreje reguleringen mod det store symbol forøges kølingen. Ved at dreje det mod det mindre symbol sænkes kølingen.

7.6 Slukning og opbevaring:

Hvis du ikke vil brug minikøleskabet i længere tid, skal du gøre følgende:

- Træk netstikket ud af bøsningen.
- Rengør minikøleskabet (se kapitlet „Rengøring og vedligeholdelse“ på side 138).
- Lad døren stå åben for at undgå lugtdannelse.

7.7 Udskiftning af LED

**VIGTIGT! Fare for beskadigelse**

Lampen kan kun udskiftes af producenten, serviceagenten eller en tilsvarende kvalificeret person for at undgå farer.

8 Rengøring og vedligeholdelse



ADVARSEL! Livsfare på grund af elektrisk stød

Afbryd køleskabet fra nettet før rengøring og vedligeholdelse.



VIGTIGT! Fare for beskadigelse

- Anvend ikke skrabe rengøringsmidler eller hårde genstande ved rengøringen, da de kan beskadige køleskabet.
- Anvend aldrig hårdt eller spidst værktøj til at fjerne islag eller til at løsne fastfrosne genstande.
- Anvend ikke mekaniske eller andre hjælpemidler til at fremskynde afrimningen.

- Rengør køleskabet regelmæssigt, og når det er snavset, med en fugtig klud.
- Vær opmærksom på, at der ikke drypper vand ind i tætningerne. Det kan beskadige elektronikken.
- Tør køleskabet af med en klud efter rengøringen.
- Kontrollér regelmæssigt vandafløbet.

Rengør om nødvendigt vandafløbet. Hvis det er tilstoppet, samler der sig vand på bunden af køleskabet.

9 Udbedring af fejl

Fejl	Mulig årsag	Løsning
Ingen køling, absorberenhed kold	Netstik ikke sat i	Sæt netstikket i stikdåsen.
	Ingen spænding i stikdåsen	Kontrollér husets sikring.
	Elektronik eller sensorer defekte	Autoriseret serviceforhandler: Montér ny elektronik eller sensorer.
	Varmepatron defekt	Autoriseret serviceforhandler: Montér en ny varmpatron.
	Afrimningsfase aktiv.	Handling ikke nødvendig

Fejl	Mulig årsag	Løsning
Ingen køling, absorberenhed varm	Køleapparatet står ikke vandret	Justér køleskabet med et vaterpas.
	Køleskabet blev først tændt for nyligt	Kontrollér kølingen efter 5 til 6 timer.
	Køleaggregat defekt	Autoriseret serviceforhandler: Udskift køleskabet.
Dårlig kølefunktion	Køleskabet udsat for direkte sollys	Fjern køleskabet fra direkte sollys.
	Køleskabets dør lukker ikke helt tæt.	Kontrollér afstandene (fig. 5, side 7). Autoriseret serviceforhandler: Udskift dørtætningen.
	Køleskabet blev fyldt for nyligt	Kontrollér kølingen efter 5 til 6 timer.
Rimdannelse i køleskabets rum	Køleskabets dør lukker ikke med tæt tætning	Kontrollér afstandene (fig. 5, side 7) Autoriseret serviceforhandler: Udskift dørtætning
	Køleskab overbelastet	► Afbryd apparatet fra strømforsyningen i mindst 10 sek.
Køler ikke, indvendig belysning blinker	Døren er ikke lukket rigtigt	► Tilslut apparatet.
	Der er ikke tilstrækkelig luftcirkulation for køleenheden	Dette nulstiller elektronikken, og apparatet burde genoptage den normale drift.
	Køleapparatet står ikke vandret	Hvis LED'erne begynder at blinke igen, er der opstået en alvorlig fejl: ► Kontakt en autoriseret serviceforhandler.

10 Garanti

Den lovbestemte garantiperiode gælder. Hvis produktet er defekt, bedes du kontakte din forhandler eller producentens afdeling i dit land (se dometic.com/dealer).

Ved reparation eller krav om garanti skal du medsende følgende bilag:

- en kopi af regningen med købsdato
- en reklamationsgrund eller en fejlbeskrivelse.


11 Bortskaffelse

► Bortskaf så vidt muligt emballagen sammen med det tilsvarende genbrugsaffald.



Hvis du tager produktet endegyldigt ud af drift, skal du kontakte det nærmeste recyclingcenter eller din faghandel for at få de pågældende forskrifter om bortskaffelse.

12 Tekniske data

	DS200	DS300	DS400	DS600
Forsyningsspænding:	220 – 240 V			
Nominel indgangsstrøm:	65 W			
Samlet volumen:	23 l	28 l	34 l	45 l
Energieffektivitetsklasse:	D			
Energiforbrug:				
– FS:	0,793 kWh/ 24 h	0,801 kWh/ 24 h	0,807 kWh/ 24 h	0,821 kWh/ 24 h
– BI:	0,809 kWh/ 24 h	0,817 kWh/ 24 h	0,823 kWh/ 24 h	0,836 kWh/ 24 h
Klimaklasse:	N		SN	
Tiltænkt udenoms-temperatur for brug:	+10 °C til +32 °C			
Lydemission:	0 dB(A)			
Drivmiddel:	Cyclopentan			
Kølemiddel:	Ammoniak			
Mål H x B x D:	fig. 19 , side 12	fig. 20 , side 13	fig. 21 , side 14	fig. 22 , side 15
Vægt:	14 kg	15 kg	17 kg	20 kg
Godkendelse/certifikat:				

Den aktuelle EU-overensstemmelseserklæring for dit apparat får du på den pågældende produktside på dometic.com eller direkte hos producenten (se dometic.com/dealer).

Du kan finde yderligere produktinformationer via QR-koden på energimærket på illustrationerne eller via eprel.ec.europa.eu.

Läs och följ noggrant alla instruktioner, direktiv och varningar i den här produkthandboken för att säkerställa att du alltid installerar, använder och underhåller produkten på rätt sätt. Dessa instruktioner MÅSTE förvaras tillsammans med produkten.

Genom att använda produkten bekräftar du härmed att du noggrant har läst alla instruktioner, direktiv och varningar och att du förstår och är införstådd med att följa de villkor som anges här. Du är införstådd med att endast använda denna produkt i avsett syfte och i enlighet med instruktionerna, direktiven och varningarna som anges i denna produkthandbok samt i enlighet med alla gällande lagar och bestämmelser. Om du inte läser och följer instruktionerna och varningarna som anges här kan det leda till personsador på dig eller andra, på produkten eller annan egendom i närheten. Denna produkthandbok, inklusive instruktionerna, direktiven och varningarna samt relaterad information, kan ändras och uppdateras. För uppdaterad produktinformation, besök documents.dometic.com, dometic.com.

Innehållsförteckning

1	Förklaring till symboler	142
2	Säkerhetsanvisningar	143
3	Leveransomfattning.	146
4	Avsedd användning	146
5	Teknisk beskrivning.	147
6	Installera och ansluta minikylen	148
7	Använda minikylen	150
8	Rengöring och skötsel	152
9	Felsökning	153
10	Garanti	154
11	Avfallshantering.	154
12	Tekniska data.	155

1 Förklaring till symboler



FARA!

Säkerhetsanvisning för en farlig situation som, om den inte går att undvika, ger upphov till dödsfall eller allvarliga personsador.



VARNING!

Säkerhetsanvisning för en farlig situation som, om den inte går att undvika, kan ge upphov till dödsfall eller allvarliga personsador.

**AKTA!**

Säkerhetsanvisning för en farlig situation som, om den inte går att undvika, kan ge upphov till en lindrig eller måttlig personskada.

**OBSERVERA!**

Anvisning för en situation som, om den inte går att undvika, kan ge upphov till materiella skador.

**ANVISNING**

Kompletterande information om användning av produkten.

2 Säkerhetsanvisningar

2.1 Allmänna säkerhetsanvisningar



WARNING! Om man underlåter att följa de här varningarna kan följden bli dödsfall eller allvarlig personskada.

Risk för dödsfall på grund av elektricitet

- Säkerställ att minikylen har installerats av en behörig tekniker enligt Dometics installationsmanual.
- Använd inte minikylen om den uppvisar synliga skador.
- Om minikylens anslutningskabel skadas måste den, av säkerhetsskäl, bytas ut av tillverkaren, servicerepresentanten eller någon annan person med motsvarande behörighet.
- Denna minikyl får endast repareras av härför utbildad personal. Icke fackmässiga reparationer kan medföra allvarliga risker.

Brandrisk

- Kylmedlet i kylkretsloppet är lättantändligt.
Vid skador på kylkretsen:
 - Stäng av minikylen.
 - Undvik öppen eld och gnistbildning.
 - Ventilera rummet nog.

Explosionsrisk

- Förvara inga ämnen som kan explodera i minikylen, som t.ex. sprayburkar med brännbar drivgas.

Hälsorisk

- Öppna aldrig absorptionsaggregatet. Det står under högt tryck och kan ge upphov till skador om det öppnas.
- Barn från åtta års ålder, personer med nedsatt fysisk, sensorisk eller mental förmåga, eller personer med bristande erfarenhet och kunskaper får använda den här minikylen förutsatt att de hålls under uppsikt eller om de har fått anvisningar om hur man använder minikylen på ett säkert sätt och känner till vilka risker som är förknippade med användningen.
- Barn får inte leka med minikylen.
- Utan uppsikt får barn inte utföra rengörings- eller underhållsarbeten.
- Barn i åldrarna tre till åtta år får lasta in eller ut varor i eller ur minikylen.



AKTA! Om man underlåter att följa de här försiktighetsåtgärderna kan följden bli lindrig eller måttlig personskada.

Krossrisk

- Håll fingrarna borta från gångjärnen.

Hälsorisk

- Livsmedel får endast förvaras i originalförpackningarna eller i andra lämpliga behållare.

**OBSERVERA! Risk för skada**

- Jämför spänningssuppgifterna på typskylten med elförsörjningen på plats.
- Minikylen är inte ämnad för lagring av frätande ämnen eller ämnen som innehåller lösningsmedel.
- Kylapparatens isolering innehåller brännbart cyklopentan och det krävs särskilda rutiner för avfallshanteringen. När kylapparatens utloppslutet av livscykeln ska lämnas till lämplig återvinningscentral.
- Se till att utloppsöppningen alltid är ren.
- Öppna aldrig kylkretsloppet.
- Bär endast minikylen i upprätt position.

2.2 Säker användning av minikylen



FARA! Om man underlåter att följa de här varningarna blir följden dödsfall eller allvarlig personskada.

Risk för dödsfall på grund av elektricitet

- Ta inte tag i avskalade ledningar med händerna.



AKTA! Om man underlåter att följa de här försiktighetsåtgärderna kan följden bli lindrig eller måttlig personskada.

Risk för dödsfall på grund av elektricitet

- Kontrollera innan minikylen startas att elkabeln och stickkontakten är torra.

Hälsorisk

- Se till att det du ställer in i minikylen får kylas till den inställda temperaturen.
- Livsmedel får endast förvaras i originalförpackningarna eller i andra lämpliga behållare.
- Om dörren hålls öppen under lång tid finns det risk att man får en betydande ökning av temperaturen i minikylen.
- Rengör med jämna mellanrum ytor som kan komma i kontakt med livsmedel och åtkomliga avloppssystem.
- Om minikylen står tom under lång tid:
 - Stäng av minikylen.
 - Avfrost minikylen.
 - Rengör och torka minikylen.
 - Lämna dörren öppen för att förhindra att det bildas mögel i minikylen.



OBSERVERA! Risk för skada

- Tunga varor som flaskor eller burkar ska endast förvaras i minikylens dörr eller på hyllan längst ner.
- Använd inga elektriska apparater för arbeten inne i minikylen, om inte tillverkaren rekommenderar dem för sådan användning.
- Ställ inte upp den i närheten av öppen eld eller andra värmekällor (värmeelement, starkt solljus, gasspisar osv.).
- Se till att ventilationsöppningarna inte är täckta.
- Doppa aldrig minikylen i vatten.
- Skydda minikylen och kabeln mot värme och fukt.
- Se till att livsmedlen i kylskåpet inte vidrör väggarna i kylen.

3 Leveransomfattning

Mängd	Beskrivning
1	Minikyl
1	Monterings- och bruksanvisning

4 Avsedd användning

Kylapparaten (även kallad minikylen) är utformad för användning inomhus, som t.ex.:

- i personalkök, kontor eller andra arbetsområden
- i jordbrukssektorn
- på hotell, motell eller andra typer av inkvartering
- på bed-and-breakfast-verksamheter
- i personalmatsalar, vid catering eller liknande gossistverksamheter

Minikylen är inte lämplig för att monteras i husvagnar eller husbilar.

Minikylen är avsedd att användas antingen som inbyggd eller fristående kylapparat. Se monteringsanvisningarna.

Minikylen är endast utformad för kylning och förvaring av drycker eller livsmedel i förslutna behållare och av färsk mat.

Minikylen är inte avsedd för förvaring av läkemedel eller djupfrysta livsmedel.

Minikylen lämpar sig endast för avsedd användning i enlighet med dessa instruktioner.

Den här manualen informerar om vad som krävs för att installera och/eller använda minikylen på rätt sätt. Felaktig installation och/eller användning eller felaktigt underhåll kommer leda till att produkten inte fungerar optimalt och riskerar gå sönder.

Tillverkaren åtar sig inget ansvar för personskador eller materiella skador på produkten som uppstår till följd av:

- Felaktig montering eller anslutning, inklusive för hög spänning
- Felaktigt underhåll eller användning av reservdelar som inte är originaldelar från tillverkaren
- Ändringar som utförts utan uttryckligt medgivande från tillverkaren
- Användning för andra ändamål än de som beskrivs i denna bruksanvisning

Dometic förbehåller sig rätten att ändra produktens utseende och specifikationer.

5 Teknisk beskrivning

Apparaten är en minikyl med absorptionskylning. Som köldmedium används ammoniak. Alla material är ämnade för livsmedel och är ofarliga. Kylkretsen är underhållsfri.

Minikylen finns som fristående version (**FS**) och inbyggd version (**BI**).

Den **fristående versionen** är avsedd för fristående användning. Kylenhetens hölje skyddar de varma delarna av kylenheten. Sockelramen med ventilationsöppningar säkerställer tillräcklig ventilation. Om sockelramen och kylenhetens hölje tas bort kan minikylen användas som inbyggd version.

Den **inbyggda versionen** är avsedd för att byggas in i möbler. Den har ingen sockelram eller något kylenhetshölje.

Temperaturen ställs in med termostatreglaget på minikylens insida.

Elektroniken kontrollerar minikylens funktion efter varje avfrostningsfas genom att mäta förångarens temperaturfall. Om ett fel registreras stängs minikylen av medan innerbelysningen blinkar konstant.

Minikylen har automatisk avfrostningsfunktion. Varje avfrostningsfas pågår 2 timmar. Den första avfrostningsfasen börjar 39 timmar efter att kylapparaten slagits på. Därefter körs avfrostningsfaserna med 22 timmars intervall.

Smältvattnet leds genom ett dräneringsrör från droppkanalen till ett förångarkärl längst ner på baksidan av kylskåpet. Smältvattnet avdunstar automatiskt till cirkulationsluften, vilket innebär att man inte behöver tömma kärlet.

Med hjälp av två dörrsensorer kontrolleras om dörren är öppen.

5.1 Komponenter

Följande bilder visar de olika typerna av minikylar:

- DS200: bild **1**, sida 3
- DS300: bild **2**, sida 4
- DS400: bild **3**, sida 5
- DS600: bild **4**, sida 6

Pos.	Förklaring
1	Termostat
2	Innerbelysning
3	Hölje för kylenhet (endast vid fristående modeller)

Pos.	Förklaring
4	Förångare
5	Lucka
6	Dörrlås (tillval)
7	Luftsensor
8	Sockelram (endast vid fristående modeller)
9	Galler
10	Förångargivare
11	Dörrsensor
12	Dörrinsatser

6 Installera och ansluta minikylen

6.1 Anvisningar för installation av minikylen

Beakta följande när minikylen installeras:

- Minikylen måste installeras så att den uppvärmda luften kan avledas ordentligt (uppåt eller åt sidorna, bild **5**, sida 7).

Nr på bild 5 , sida 7	Förklaring
1	Kall tilluft
2	Uppvärmd frånluft
3	Fritt utrymme ovanför minikylen om frånluften inte kan cirkulera uppåt eller åt sidan

- Observera följande monteringsmått:
 - DS200: bild **19**, sida 12
 - DS300: bild **20**, sida 13
 - DS400: bild **21**, sida 14
 - DS600: bild **22**, sida 15
- Se till att öppningarna (ventilationsspringor o.s.v.) på höljet och på insidan inte täcks över av några föremål.

6.2 Installera fristående version

Observera följande när minikylen ställs upp i fristående läge:

- Kontrollera att kåpan som skyddar kylenhetens heta komponenter finns.
- Kontrollera att golvrampen är på plats så att luften cirkulerar tillräckligt mycket.
- ▶ Ställ minikylen på ett jämnt underlag. Använd ett vattenpass för att kontrollera detta.

6.3 Installera inbyggd version



AKTA! Hälsorisk

Fastsätt apparaten enligt anvisningarna så att det inte uppstår risker till följd av instabilitet.

Observera följande om du vill installera minikylen i ett förvaringsskåp:

- Ställ minikylen på ett jämnt underlag. Använd ett vattenpass för att kontrollera detta.
- Håll 20 mm fritt mellanrum till väggarna.
- Luft måste kunna cirkulera helt fritt (bild **5**, sida 7).
- Hela kylenheten måste skjuta fram i ventilationskanalen.
- Luften i ventilationskanalen får inte värmas upp av andra värmekällor.
- Ventilationsgallret måste ha en tvärsnittsarea på minst 200 cm².

Gör så här för att installera minikylen (bild **6**, sida 8):

- ▶ Ställ upp minikylen och skruva på apparatens fötter.

6.4 Montera dörrhandtaget (tillval)

- ▶ Montera dörrhandtaget som bilden visar (bild **7**, sida 8).
- ▶ Demontera dörrhandtaget som bilden visar (bild **8**, sida 8).

6.5 Ändra dörren



WARNING! Risk för dödsfall på grund av elektricitet

Dra ut nätkontakten innan arbete utförs på minikylen.


OBSERVERA! Risk för materiella skador!

Minikylen får bara ligga på sidan en kort stund.

Det går även att ändra dörren så att den öppnas åt vänster istället för åt höger.

- ▶ Ändra dörrens gångjärn som bilderna visar:
 - **Fristående version:** bild **9**, sida 9 till bild **13**, sida 10
 - **Inbyggd version:** bild **10**, sida 9 till bild **12**, sida 9

6.6 Byta dörrdekor


OBSERVERA! Risk för skador

Minikylen får bara ligga på sidan en kort stund.

Dörrdekoren har följande mått:

Modell	Bredd	Höjd	Tjocklek
DS200	383 ± 0,5 mm	310 ± 0,5 mm	2 mm
DS300	383 ± 0,5 mm	395 ± 0,5 mm	
DS400	383 ± 0,5 mm	395 ± 0,5 mm	
DS600	449 ± 0,5 mm	408 ± 0,5 mm	

- ▶ Demontera dörrhandtaget vid behov (kapitel "Montera dörrhandtaget (tillval)" på sidan 149).
- ▶ Ta bort dörrlåsets låsring vid behov.
- ▶ Följ anvisningarna på bilderna för att ta bort dekorplattan (bild **14**, sida 10).
- ▶ Följ anvisningarna på bilderna för att montera dekorplattan (bild **15**, sida 10).

7 Använda minikylen


OBSERVERA! Risk för skada

- Se till att vätskor eller matvaror i glasbehållare inte kyls ner för mycket. Vätskor expanderar under frysning. Glasbehållarna kan då gå sönder.
- Se till att det du ställer in i minikylen får kylas till den inställda temperaturen.

7.1 Före den första användningen

Innan du startar den nya minikylen första gången ska den av hygieniska skäl torkas av in- och utvändigt med en fuktig trasa (se även kapitel "Rengöring och skötsel" på sidan 152).

7.2 Spara energi

- Öppna inte minikylen oftare och håll den inte öppet längre än nödvändigt.
- Låt varm mat svalna innan den läggs in i kylen.
- Undvik en onödigt låg temperatur inne i kylen.
- För bästa möjliga energiförbrukning ska du placera hyllorna och lådorna såsom de var placerade vid leveransen.
- Kontrollera med jämna mellanrum att dörrens tätning fortfarande sitter korrekt.
- Ta regelbundet bort damm och smuts från kondensatorn.

7.3 Placera gallren

DS200, DS300

Gå tillväga enligt bilden (bild **16**, sida 11).

DS400, DS600

Gå tillväga enligt bilden (bild **17**, sida 11).

7.4 Slå på

- ▶ Sätt in nätkontakten i vägguttaget.
- ✓ Minikylen påbörjar ett självttest.
- ✓ LED-lampan blinkar först flera gånger och lyser sedan konstant.
- ✓ Minikylen är påslagen.



ANVISNING

När minikylen slagits på behöver den flera timmar för att nå kyltemperaturen i minikylfacket.

7.5 Ställa in temperaturen

Observera följande så att du inte behöver kasta bort livsmedel:

- Temperaturen ska vara så jämn som möjligt. Öppna inte kylskåpet oftare och håll det inte öppet längre än nödvändigt. Förvara livsmedlen på så sätt att luften kan cirkulera.
 - Justera temperaturen efter mängden och typen av livsmedel.
 - Förvara de olika typerna av livsmedel enligt bilderna.
 - Livsmedel tar lätt upp eller utsöndrar lukter eller smaker. Livsmedel ska alltid förvaras övertäckta eller i förslutna behållare/flaskor.
- ▶ Ställ in termostatreglaget (bild **18**, sida 12) på mellanläget.
- Ett annat läge kan krävas beroende på påfyllnings- och installationsförhållanden. Vrid reglaget mot den större symbolen för att öka kylningen och mot den mindre symbolen för att minska kylningen.

7.6 Stänga av och förvara

Om minikylen ska stå oanvänd under en längre tid:

- ▶ Dra ut närlinjen ur vägguttaget.
- ▶ Rengör minikylen (se kapitel "Rengöring och skötsel" på sidan 152).
- ▶ Lämna dörren öppen för att förhindra att lukter uppstår.

7.7 Byta ut LED-lampan



OBSERVERA! Risk för sakkador

Lampan får endast bytas ut av tillverkaren, en tjänsteleverantör eller en person med liknande kvalifikationer för att förhindra fara.

8 Rengöring och skötsel



VARNING! Livsfara p.g.a. elchock

Koppla alltid bort kylskåpet från elnätet före rengöring och skötsel.



OBSERVERA! Risk för sakkador

- Använd inga skarpa rengöringsmedel eller hårda föremål vid rengöring, då dessa kan skada kylskåpet.
- Avlägsna aldrig isbeläggningar eller fastfrysna föremål med hårda eller vassa/spetsiga verktyg.
- Använd inga mekaniska föremål eller andra hjälpmedel för att skynda på avfrostningen.

- Rengör kylskåpet regelbundet/vid behov med en fuktig trasa.
- Se till att det inte kommer in vatten i tätningarna. Elektronik kan skadas.
- Torka av kylskåpet med en trasa efter rengöringen.
- Kontrollera utloppet för smältvatten regelbundet.

Rengör utloppet för smältvatten vid behov. Om det är tilltäppt samlas vatten på golvet under kylskåpet.

9 Felsökning

Fel	Möjlig orsak	Åtgärd
Ingen kylning, kallt absorptionsaggregat	Närkontakten inte insatt	Sätt in nätkontakten i vägguttaget.
	Ingen spänning i vägguttaget	Kontrollera säkringen i hemmet.
	Defekt elektronik eller defekta sensorer	Auktoriserad servicerepresentant: Installera ny elektronik eller sensorer.
	Värmepatron defekt	Auktoriserad servicerepresentant: Installera en ny värmepatron.
Ingen kylning, varmt absorptionsaggregat	Aktiv avfrostningsfas	Krävs ingen åtgärd
	Kylskåpet står inte vågrätt	Ställ in kylskåpet med vattenpass.
	Kylskåpet slogs på nyligen	Kontrollera kylningen på nytt efter 5 till 6 timmar.
Svag kylningseffekt	Aggregat defekt	Auktoriserad servicerepresentant: Byt kylskåp.
	Kylskåpet är utsatt för direkt solljus	Flytta undan kylskåpet från direkt solljus.
	Kylskåpsdörren sluter inte tätt när den stängs	Kontrollera mellanrummen (bild 5 , sida 7). Auktoriserad servicerepresentant: Byt ut dörrtätningen.
	Kylskåpet fylldes på nyligen	Kontrollera kylningen på nytt efter 5 till 6 timmar.

Fel	Möjlig orsak	Åtgärd
Det har bildats frost i kylfacket	Kylskåpets dörr sluter inte tätt när den stängs	Kontrollera mellanrummen (bild 5 , sida 7) Auktoriserad servicerepresentant: Byt ut dörtätningen
Kyler inte, innerbelysning blinkar	Kylskåpet överfullt Dörren är inte riktigt stängd Otillräcklig luftcirkulation för kyllenheten Kylskåpet står inte vågrätt	<ul style="list-style-type: none"> ▶ Slå av strömmen till apparaten i minst 10 s. ▶ Anslut apparaten igen Detta återställer elektroniken och apparaten bör fungera normalt igen. Om LED-lampan börjar blinka igen har ett större fel inträffat: <ul style="list-style-type: none"> ▶ Kontakta en auktoriserad verkstad.

10 Garanti

Den lagstadgade garantitiden gäller. Kontakta din återförsäljare eller tillverkarens representant i ditt land (se dometic.com/dealer) om produkten är defekt.

Vid reparations och garantiärenden ska följande dokument skickas med när du returnerar produkten:

- En kopia på fakturan med inköpsdatum
- En reklambeskrivning eller felbeskrivning


11 Avfallshantering

- ▶ Lämna om möjligt förpackningsmaterialet till återvinning.



När produkten slutgiltigt tas ur bruk: informera dig om gällande bestämmelser hos närmaste återvinningscentral eller hos återförsäljaren.

12 Tekniska data

	DS200	DS300	DS400	DS600
Försörjningsspänning:	220 – 240 V			
Nominell ingångsspänning:	65 W			
Total volym:	23 l	28 l	34 l	45 l
Energieffektklass:	D			
Energiförbrukning:				
– FS:	0,793 kWh/ 24 h	0,801 kWh/ 24 h	0,807 kWh/ 24 h	0,821 kWh/ 24 h
– BI:	0,809 kWh/ 24 h	0,817 kWh/ 24 h	0,823 kWh/ 24 h	0,836 kWh/ 24 h
Klimatklass:	N		SN	
Avsedd användning av omgivningstemperaturen:	+10 °C till +32 °C			
Bulleremission:	0 dB(A)			
Medium:	Cyklopentan			
Köldmedium:	Ammoniak			
Mått H x B x D:	bild 19 , sida 12	bild 20 , sida 13	bild 21 , sida 14	bild 22 , sida 15
Vikt:	14 kg	15 kg	17 kg	20 kg
Provning/certifikat:				

Aktuell EU-försäkran om överensstämmelse för maskinen kan erhållas från respektive produktsida på dometic.com eller direkt via tillverkaren (se dometic.com/dealer).

Läs in QR-koden på energimärkningen i bilderna för mer information om produkten eller besök eprel.ec.europa.eu.

Vennligst les disse instruksjonene nøye og følg alle instruksjoner, retningslinjer og advarsler som er inkludert i denne produktveiledningen for å sikre at du installerer, bruker og vedlikeholder produktet ordentlig til enhver tid. Disse instruksjonene MÅ følge med dette produktet.

Ved å bruke dette produktet bekrefter du at du har lest alle instruksjoner, retningslinjer og advarsler nøye, og at du forstår og aksepterer å overholde betingelsene og vilkårene slik de er presentert her. Du godtar å bruke dette produktet kun til tiltenkt formål og anvendelse, og i samsvar med instruksjonene, retningslinjene og advarslene slik de er presentert i denne produktveiledningen, så vel som i samsvar med alle gjeldende lovbestemmelser og forskrifter. Hvis instruksjonene og advarslene som er presentert her, ikke blir lest og fulgt, kan dette resultere i personskader hos deg selv eller andre, skade på produktet eller skade på annen eiendom i nærheten. Denne produktveiledningen, inkludert instruksjonene, retningslinjene og advarslene, samt relatert dokumentasjon, kan være underlagt endringer og oppdateringer. For oppdatert produktinformasjon, se documents.dometic.com, dometic.com.

Innholdsfortegnelse

1	Symbolforklaringer	156
2	Sikkerhetsregler	157
3	Leveringsomfang	160
4	Tiltenkt bruk	160
5	Teknisk beskrivelse	161
6	Installere og tilkoble minikjøleskapet	162
7	Bruke minikjøleskapet	165
8	Rengjøring og vedlikehold	167
9	Feilretting	167
10	Garanti	168
11	Avfallsbehandling	169
12	Tekniske spesifikasjoner	169

1 Symbolforklaringer



FARE!

Sikkerhetshenvisning til en faresituasjon som fører til alvorlige personskader, eventuelt med døden til følge, dersom de ikke blir unngått.



ADVARSEL!

Sikkerhetshenvisning til en faresituasjon som kan føre til alvorlige personskader, eventuelt med døden til følge, dersom de ikke blir unngått.

**FORSIKTIG!**

Sikkerhetshenvisning til en faresituasjon som kan føre til lette eller middels alvorlige personskader, dersom de ikke blir unngått.

**PASS PÅ!**

Henvisning til en situasjon som kan føre til tingskader dersom den ikke blir unngått.

**MERK**

Utfyllende informasjon om betjening av produktet.

2 Sikkerhetsregler

2.1 Grunnleggende sikkerhet



ADVARSEL! Manglende overholdelse av disse advarslene kan resultere i alvorlige personskader, eventuelt med døden til følge.

Fare for elektrisk støt

- Forsikre deg om at minikjøleskapet har blitt installert av en kvalifisert tekniker i samsvar med Dometics monteringsanvisning.
- Minikjøleskapet må ikke tas i bruk hvis det har synlige skader.
- Hvis strømkabelen til minikjøleskapet er skadet, må den skiftes av produsenten, av en serviceforhandler eller av en tilsvarende utdannet person for å forhindre at sikkerheten settes i fare.
- Reparasjoner på dette minikjøleskapet må kun utføres av kvalifiserte fagfolk. Usakkyndige reparasjoner kan føre til alvorlige farer.

Brannfare

- Kjølemiddelet i kjølemiddelkretsløpet er lett antennelig. Ved skader på kjølemiddelkretsløpet:
 - Slå av minikjøleskapet.
 - Unngå åpen ild og gnister.
 - Sørg for god ventilasjon i rommet.

Eksplisjonsfare

- Ikke lagre eksplosjonsfarlige stoffer som f.eks. spraybokser med drivgass, i minikjøleskapet.

Helsefare

- Absorbsjonsaggregatet må aldri åpnes. Det står under høytrykk og kan forårsake personskader hvis det åpnes.
- Dette minikjøleskapet kan brukes av barn fra 8 år og oppover og personer med reduserte fysiske, sensoriske eller mentale evner eller som mangler erfaring og kunnskap, hvis de er under oppsyn eller har fått veiledning i hvordan minikjøleskapet brukes på en forsvarlig måte og forstår hvilke farer det innebærer.
- Barn må ikke leke med minikjøleskapet.
- Rengjøring og vedlikehold skal ikke utføres av barn uten at de er under oppsyn.
- Barn i alderen 3–8 år får lov til å laste inn og ut av minikjøleskapet.



FORSIKTIG! Manglende overholdelse av disse forsiktighetsvarslene kan resultere i mindre til moderate personskader.

Klemfare

- Ikke grip i hengselet.

Helsefare

- Næringsmidler må kun oppbevares i originalemballasjen eller i egnede beholdere.



PASS PÅ! Fare for skader

- Kontrollen spenningsspesifikasjonene på merkeskiltet stemmer overens med den foreliggende strømforsyningen.
- Minikjøleskapet er ikke egnet for lagring av etsende eller løsemiddelholdige stoffer.
- Isolasjonen av kjøleapparatet inneholder antenkelig syklopentan og krever spesielle avfallshåndteringsprosedyrer. Lever inn kjøleapparatet til en egnet gjenvinningsstasjon etter endt levetid.
- Avløpsåpningen må holdes ren.
- Kjølekretsløpet må ikke åpnes under noen omstendigheter.
- Bær minikjøleskapet kun i oppreist stilling.

2.2 Bruke minikjøleskapet sikkert



FARE! Manglende overholdelse av disse advarslene resulterer i alvorlige personskader, eventuelt med døden til følge.

Fare for elektrisk støt

- Ikke berør blanke ledninger med bare hender.



FORSIKTIG! Manglende overholdelse av disse forsiktighetsvarslene kan resultere i mindre til moderate personskader.

Fare for elektrisk støt

- Før du starter minikjøleskapet, se til at strømforsyningslinjen og pluggen er tørre.

Helsefare

- Forsikre deg om at det bare befinner seg gjenstander eller varer som tåler nedkjøling til valgt temperatur, i minikjøleskapet.
- Matvarer må oppbevares i originalforpakning eller i egnede beholdere.
- Det å åpne døren for en lengre periode kan føre til en vesentlig økning av temperaturen i minikjøleskapets rom.
- Overflater som kan komme i kontakt med matvarer og tilgjengelige deler av dreneringssystemet, må rengjøres regelmessig.
- Hvis minikjøleskapet blir værende tomt over lengre tid:
 - Slå av minikjøleskapet.
 - Avrim minikjøleskapet.
 - Rengjør og tørk minikjøleskapet.
 - La døren være åpen for å unngå muggdannelse inne i minikjøleskapet.



PASS PÅ! Fare for skader

- Tunge gjenstander som f.eks. flasker eller bokser, må bare oppbevares i minikjøleskapets dør eller på nederste rist.
- Ikke bruk elektriske apparater inne i minikjøleskapet med mindre produsenten anbefaler slik bruk av slike apparatene.
- Ikke plasser apparatet i nærheten av åpen flamme eller andre varmekilder (oppvarming, sterk solbestråling, gassovner osv.).
- Forsikre deg om at ventilasjonsåpningene ikke er tildekket.
- Ikke dykk minikjøleskapet ned i vann.
- Beskytt minikjøleskapet og kabelen mot varme og fuktighet.
- Påse at matvarer ikke kommer i kontakt med veggene i kjølerommet.

3 Leveringsomfang

Antall	Beskrivelse
1	Mini Fridge
1	Monterings- og bruksanvisning

4 Tiltent bruk

Kjøleapparatet (også henvist til som Mini Fridge eller minikjøleskap) er konstruert for bruk i lukkede bygninger, slik som:

- Personalkjøkken i butikker, kontorer og andre arbeidsplasser
- Landbrukssektoren
- Hoteller, moteller og andre overnattingssteder
- Bed & Breakfast-steder
- Catering eller lignende grossistvirksomhet

Minikjøleskapet er ikke egnet for montering i campingvogner eller bobiler.

Minikjøleskapet er ment brukt enten som en innebygd enhet, eller som en frittstående kjøleenhet. Se installasjonsinstruksjonene.

Minikjøleskapet er utelukkende konstruert for kjøling og oppbevaring av drikkevarer og matvarer i lukkede beholdere.

Minikjøleskapet er ikke egnet for oppbevaring av medikamenter eller nedfrysing av matvarer.

Dette minikjøleskapet er kun egnet for det tiltente formålet og anvendelsen i samsvar med disse instruksjonene.

Denne håndboken gir informasjon som er nødvendig for en ordentlig installasjon og/eller drift av minikjøleskapet. Dårlig installasjon og/eller upassende drift eller vedlikehold vil resultere i en utilfredsstillende ytelse og en mulig svikt.

Produsenten påtar seg intet ansvar for personskader eller materielle skader på produktet som følge av:

- Ikke korrekt montering eller tilkobling, inkludert for høy spenning
- Ikke korrekt vedlikehold eller bruk av reservedeler foruten de originale reservedelene som leveres av produsenten
- Endringer på produktet uten at det er gitt uttrykkelig godkjenning av produsenten

- Bruk til andre formål enn det som er beskrevet i denne håndboken

Dometic forbeholder seg rettigheten til å endre produktet ytre og produktspesifikasjoner.

5 Teknisk beskrivelse

Enheten er et minikjøleskap med absorpsjonskjøling. Det brukes ammoniakk som kjølemiddel. Alle materialer som er benyttet, er egnet for næringsmidler. Kjølekrets-løpet er vedlikeholdsfritt.

Minikjøleskapet er tilgjengelig som frittstående versjon (**FS**) og innebygget versjon (**BI**).

Den **frittstående versjonen** er ment for frittstående bruk. Kjøledekselet beskytter de varme delene til kjøleenhetene. Fotrammen med ventilasjonsåpninger sikrer tilstrekkelig ventilasjon. Ved å fjerne fotrammen og kjøledekselet kan minikjøleskapet benyttes som innebygget versjon.

Den **innebygde versjonen** skal monteres inn i et møbel. Det har ingen fotramme eller kjøledeksel.

Temperaturen stilles inn med termostatregulatoren inne i minikjøleskapet.

Elektronikken sjekker minikjøleskapets funksjon etter hver avrimingsfase ved å måle fordampers temperaturfall. Hvis det registreres et problem, slår elektronikken av minikjøleskapet og det innvendige lyset blinker kontinuerlig.

Minikjøleskapet er utstyrt med en automatisk avrimingsfunksjon. Hver avrimingsfase varer 2 timer. 39 timer etter å ha slått av kjøleapparatet starter den første avrimingsfasen. Etter dette utføres en avrimingsfase hver 22. time.

Avrimingsvannet kjøres gjennom et dreneringsrør fra dryppkanalen til en fordampersbeholder nede bak på minikjøleskapet. Smeltevannet fordampes automatisk opp i sirkulasjonsluften slik at beholderen ikke må tømmes.

To dørsensorer sjekker om døren er åpen.

5.1 Komponenter

De forskjellige typene minikjøleskap er vist i følgende bilder:

- DS200: fig. **1**, side 3
- DS300: fig. **2**, side 4
- DS400: fig. **3**, side 5
- DS600: fig. **4**, side 6

Nr.	Forklaring
1	Termostat
2	Innvendig belysning
3	Deksel for kjøleenhet (kun ved frittstående modeller)
4	Fordamper
5	Luke
6	Dørlås (ekstrauststyr)
7	Luftsensor
8	Fotramme (kun ved frittstående modeller)
9	Rist
10	Fordampersensor
11	Dørsensor
12	Dørinnsatser

6 Installere og tilkoble minikjøleskapet

6.1 Instruksjoner for installering av minikjøleskapet

Vær oppmerksom på følgende ved installering av minikjøleskapet:

- Sett opp minikjøleskapet på en slik måte at den oppvarmede luften kan trekke godt ut (enten oppover eller til sidene, fig. **5**, side 7).

Nr. i fig. 5 , side 7	Forklaring
1	Kald luft inn
2	Oppvarmet eksosluft
3	Klaring over minikjøleskapet dersom avløpsluft ikke kan sirkulere tilstrekkelig oppover eller til siden

- Vær oppmerksom på følgende installasjonsmål:
 - DS200: fig. **19**, side 12
 - DS300: fig. **20**, side 13
 - DS400: fig. **21**, side 14
 - DS600: fig. **22**, side 15
- Ventilasjonsåpninger (lufteåpninger osv.) i kapslingen eller der apparatet er innmontert, må ikke tildekkes.

6.2 Installering av frittstående versjon

Vær oppmerksom på følgende for å sette opp minikjøleskapet i en frittstående posisjon:

- Forsikre deg om at dekselet for beskyttelse av varme komponenter på kjøleenheten er montert.
 - Forsikre deg om at gulvrammen er på plass for å sørge for tilstrekkelig luftsirkulasjon.
- Sett minikjøleskapet på et jevnt underlag. Bruk et vater for å kontrollere det.

6.3 Installering av innebygd versjon



FORSIKTIG! Helsefare

For å unngå farer som følge av en manglende stabilitet på apparatet, må det festes i samsvar med instruksene.

Ta hensyn til følgende instruksjoner hvis du ønsker å installere minikjøleskapet i et møbel:

- Sett minikjøleskapet på et jevnt underlag. Bruk et vater for å kontrollere det.
- Oppretthold 20 mm klaring til veggene.
- Luft må kunne sirkulere uhindret (fig. **5**, side 7).
- Den komplette kjøleenheten må være forlenget inn i ventilasjonsåpningen.
- Luften i ventilasjonsåpningen må ikke varmes opp av andre varmekilder.
- Tverrsnittet til ventilasjonsgitteret må være minst 200 cm².

Gå fram på følgende måte for å installere minikjøleskapet (fig. **6**, side 8):

- Sett opp minikjøleskapet og skru på føttene på enheten.

6.4 Montere dørhåndtaket (tilleggsutstyr)

- Gå frem som vist for å montere dørhåndtaket (fig. **7**, side 8).

- Fortsett som vist for å montere av dørhåndtaket (fig. **8**, side 8).

6.5 Endre dørhengsel



ADVARSEL! Fare for elektrisk støt

Før det utføres arbeider på minikjøleskapet må strømkontakten kobles fra nettet.



PASS PÅ! Fare for skader!

Minikjøleskapet kan bare ligge på siden en kort stund.

Du kan endre dørhengslene slik at døren åpnes mot venstre i stedet for mot høyre.

- Fortsett som vist for å endre dørhengselen:
 - **Frittstående versjon:** fig. **9**, side 9 til fig. **13**, side 10
 - **Innebygget versjon:** fig. **10**, side 9 til fig. **12**, side 9

6.6 Skifte dørpanel



PASS PÅ! Fare for skader

Minikjøleskapet kan bare ligge på siden en kort stund.

Dørdekoen har følgende mål:

Modell	Bredde	Høyde	Tykkelse
DS200	383 ± 0,5 mm	310 ± 0,5 mm	2 mm
DS300	383 ± 0,5 mm	395 ± 0,5 mm	
DS400	383 ± 0,5 mm	395 ± 0,5 mm	
DS600	449 ± 0,5 mm	408 ± 0,5 mm	

- Om nødvendig må du demontere dørhåndtaket (kapittel «Montere dørhåndtaket (tilleggsutstyr)» på side 163).
- Om nødvendig må du fjerne holderingen på dørlåsen.
- Gå frem som vist for å fjerne dekorplaten (fig. **14**, side 10).
- Gå frem som vist for å montere dekorplaten (fig. **15**, side 10).

7 Bruke minikjøleskapet



PASS PÅ! Fare for skader

- Påse at drikke eller matvarer i glassbeholdere ikke blir for sterkt avkjølt. Ved frysing utvider drikke og flytende matvarer seg. Dette kan derfor ødelegge glassbeholdere.
- Forsikre deg om at det bare befinner seg gjenstander eller varer som tåler nedkjøling til valgt temperatur, i minikjøleskapet.

7.1 Før første gangs bruk

Før det nye minikjøleskapet tas i bruk, skal man av hygieniske årsaker rengjøre den innvendig og utenpå med en fuktig klut (se også kapittel «Rengjøring og vedlikehold» på side 167).

7.2 Spare strøm

- Åpne kun minikjøleskapet så ofte og så lenge som nødvendig.
- Kjøøl ned varme matvarer før du setter dem inn i boksen for å holde dem kjølige.
- Unngå unødvendig høy innetemperatur.
- For et optimalt strømforbruk plasserer du hyllene og skuffene i henhold til posisjonen deres ved levering.
- Kontroller regelmessig at dørtetningen fortsatt passer riktig.
- Rengjør kondensatoren regelmessig for støv og forurensinger.

7.3 Posisjonere risten

DS200, DS300

Gå frem som vist (fig. **16**, side 11).

DS400, DS600

Gå frem som vist (fig. **17**, side 11).

7.4 Slå på

- ▶ Sett strømstøpset i stikkontakten.
- ✓ Minikjøleskapet begynner en egentest.

- ✓ LED-en blinker til å begynne med flere ganger og lyser deretter kontinuerlig.
- ✓ Minikjøleskapet er slått på.

**MERK**

Etter innkobling trenger minikjøleskapet flere timer for å nå kjøletemperaturen innvendig.

7.5 Temperaturinnstilling

For å unngå matsvinn, skal du gjøre følgende:

- Hold temperatursvingningen så lav som mulig. Åpne kun kjøleskapet så ofte og så lenge som nødvendig. Lagre matvarene slik at luften kan sirkulere godt.
 - Juster temperaturen etter mengde og type matvarer.
 - Oppbevar matvarene som vist på illustrasjonene.
 - Matvarer kan enkelt absorbere eller friggi lukt eller smak. Oppbevar alltid matvarene tildekket eller i lukkede beholdere/flasker.
- Still termostatregulatoren (fig. **18**, side 12) i midtre posisjon. Avhengig av påfyllings- og installasjonsforholdene kan det være nødvendig med en annen posisjon. Dreier du reguleringen mot det større symbolet, øker kjølingen; dreier du reguleringen mot det mindre symbolet, reduseres kjølingen.

7.6 Slå av og lagre

Hvis du planlegger ikke å bruke minikjøleskapet på en god stund, gjør du følgende:

- Trekk ut strømstøpselet av stikkontakten.
- Rengjør minikjøleskapet (se kapittel «Rengjøring og vedlikehold» på side 167).
- La døren være åpen for å unngå luktdannelse.

7.7 Skifte LED

**PASS PÅ! Fare for skade**

Lampen kan bare erstattes av produsenten, servicepartner eller tilsvarende kvalifisert personale for å unngå farer.

8 Rengjøring og vedlikehold



ADVARSEL! Livsfare på grunn av strømstøt

Koble kjøleskapet fra strømmettet før rengjøring og stell.



PASS PÅ! Fare for skade

- Bruk ikke sterke vaskemidler eller harde gjenstander til rengjøring, da det kan skade kjøleskapet.
- Bruk aldri harde eller spisse redskaper for å fjerne islag eller for å løsne fastfrosne gjenstander.
- Ikke bruk mekaniske eller andre hjelpemidler for å fremskynde avrimingen.

- Rengjør kjøleskapet regelmessig og med en gang det er skittent med en fuktig klut.
- Pass på at det ikke drypper vann inn i pakningene. Dette kan skade elektronikken.
- Når kjøleskapet er rengjort tørkes det med en fuktig klut.
- Kontroller tinevannutløpet regelmessig.
Rengjør tinevannutløpet ved behov. Hvis det er tilstoppet, samles det opp tinevann på bunnen av kjøleskapet.

9 Feilretting

Problem	Mulig årsak	Løsning
Ingen kjøling, absorberenheten er kald	Strømstøpselet ikke satt i	Sett strømstøpselet i stikkontakten.
	Ingen spenning i stikkontakten	Sjekk sikringen.
	Elektronikken eller sensor defekt	Autorisert serviceforhandler: Installer ny elektronikk eller sensorer.
	Varmepatron defekt	Autorisert serviceforhandler: Installer ny varmpatron.
	Avrimingsfase aktiv	Ingen handling nødvendig

Problem	Mulig årsak	Løsning
Ingen kjøling, absorberenheten er varm	Kjøleskapet står ikke vannrett	Rett opp kjøleskapet ved hjelp av et vater.
	Kjøleskapet ble slått på nylig	Sjekk kjølingen igjen etter 5 til 6 timer.
	Kjøleenheten defekt	Autorisert serviceforhandler: Skift ut kjøleskapet.
Dårlig kjøleeffekt	Kjøleskapet er utsatt for direkte sollys	Ta kjøleskapet ut av sollyset.
	Døren på kjøleskapet lukker ikke med omsluttende tetning	Sjekk klaringene (fig. 5 , side 7). Autorisert serviceforhandler: Skift ut dørtetningen.
	Kjøleskapet ble nylig fylt opp	Sjekk kjølingen igjen etter 5 til 6 timer.
Frostdannelse inne i kjøleskapet	Døren på kjøleskapet lukker ikke med omsluttende tetning	Sjekk klaringene (fig. 5 , side 7) Autorisert serviceforhandler: Skift ut dørtetningen
	Kjøler ikke, den innvendige lampen blinker	<p>Kjøleskapet overbelastet</p> <p>Døren er ikke riktig lukket</p> <p>Utilstrekkelig luftsirkulasjon for kjøleenheten</p> <p>Kjøleskapet står ikke vannrett</p> <p>► Frakoble apparatet fra strømfor- syningen for minst 10 sekunder.</p> <p>► Koble til apparatet</p> <p>Dette nullstiller elektronikken og apparatet bør da gjenoppta normal drift.</p> <p>Hvis LED starter å blinke igjen, har det oppstått en alvorlig feil:</p> <p>► Ta kontakt med et autorisert verksted.</p>

10 Garanti

Lovmessig garantitid gjelder. Hvis produktet er defekt: Ta kontakt med din forhandler eller produsentens filial i ditt land (se dometic.com/dealer).

Ved henvendelser vedrørende reparasjon eller garanti, må du sende med følgende dokumentasjon:

- Kopi av kvitteringen med kjøpsdato
- Årsak til reklamasjonen eller beskrivelse av feilen


11 Avfallsbehandling

- Lever emballasje til resirkulering så langt det er mulig.



Når du tar produktet ut av drift for siste gang, må du sørge for å få informasjon om deponeringsforskrifter hos nærmeste resirkuleringsstasjon eller hos din faghandler.

12 Tekniske spesifikasjoner

	DS200	DS300	DS400	DS600
Inngangsspenning:	220 – 240 V			
Nominell inngangseffekt:	65 W			
Samlet kapasitet:	23 l	28 l	34 l	45 l
Energimerking:	D			
Energiforbruk:				
– FS:	0,793 kWh/ 24 h	0,801 kWh/ 24 h	0,807 kWh/ 24 h	0,821 kWh/ 24 h
– BI:	0,809 kWh/ 24 h	0,817 kWh/ 24 h	0,823 kWh/ 24 h	0,836 kWh/ 24 h
Klimaklasse:	N		SN	
Tiltentk omgivelses- temperatur ved bruk:	+10 °C til +32 °C			
Støyutslipp:	0 dB(A)			
Kjølemiddel:	Cyklopentan			
Kjølemiddel:	Ammoniakk			
Mål H x B x D:	fig. 19 , side 12	fig. 20 , side 13	fig. 21 , side 14	fig. 22 , side 15
Vekt:	14 kg	15 kg	17 kg	20 kg
Inspeksjon/sertifisering:				

Den aktuelle EU-konformitetserklæringen for ditt apparat får du på den respektive produktsiden på dometic.com eller direkte via produsenten (se dometic.com/dealer).

Ytterligere produktinformasjon kan nås via QR-koden på energietiketten i figurene, eller via eprel.ec.europa.eu.

Lue nämä ohjeet huolellisesti ja noudata kaikkia tämän tuotteen käyttöohjeissa annettuja ohjeita, määräyksiä ja varoituksia. Näin varmistat, että tuotteen asennus, käyttö ja huolto sujuu aina oikein. Näiden ohjeiden TÄYTYY jäädä tuotteen yhteyteen.

Käyttämällä tuotetta vahvistat lukeneesi kaikki ohjeet, määräykset ja varoitukset huolellisesti ja että ymmärrät ja hyväksyt tässä annetut ehdot. Sitoudut käyttämään tuotetta ainoastaan sen käyttötarkoitukseen ja ilmoitetuissa käyttökohteissa ja noudattaen tässä tuotteen käyttöohjeessa annettuja ohjeita, määräyksiä ja varoituksia sekä voimassa olevia lakeja ja määräyksiä. Tässä annettujen ohjeiden ja varoitusten lukematta ja noudattamatta jättäminen voi johtaa omaan tai muiden loukkaantumiseen, tuotteen vaurioitumiseen tai muiden, ympärillä olevien esineiden vaurioitumiseen. Tähän tuotteen käyttöohjeeseen, ohjeisiin, määräyksiin ja varoituksiin sekä oheisdokumentteihin voidaan tehdä muutoksia ja niitä voidaan päivittää. Katso ajantasaiset tuotetiedot osoitteesta documents.dometic.com, dometic.com.

Sisällysluettelo

1	Symbolien selitys	171
2	Turvallisuusohjeet	172
3	Toimituskokonaisuus	175
4	Käyttötarkoitus	175
5	Tekninen kuvaus	176
6	Pienoisjääkaapin asentaminen ja liittäminen	177
7	Pienoisjääkaapin käyttäminen	180
8	Puhdistus ja hoito	182
9	Vianetsintä	182
10	Takuu	183
11	Hävittäminen	184
12	Tekniset tiedot	184

1 Symbolien selitys



VAARA!

Turvallisuusohje koskien vaaratilannetta, joka johtaa kuolemaan tai vakavaan vammaan, jos tilannetta ei vältetä.



VAROITUS!

Turvallisuusohje koskien vaaratilannetta, joka voi johtaa kuolemaan tai vakavaan vammaan, jos tilannetta ei vältetä.

**HUOMIO!**

Turvallisuusohje koskien vaaratilannetta, joka voi johtaa lievään tai kohtalaiseen vammaan, jos tilannetta ei vältetä.

**HUOMAUTUS!**

Ohje koskien tilannetta, joka voi johtaa esinevahinkoihin, jos sitä ei vältetä.

**OHJE**

Tuotteen käyttöä koskevia lisätietoja.

2 Turvallisuusohjeet

2.1 Perusturvallisuus



VAROITUS! Näiden varoitusten noudattamatta jättäminen voi johtaa kuolemaan tai vakavaan vammaan.

Sähköiskun vaara

- Varmista, että pienoisjääkaapin asennuksen on suorittanut pätevä asentaja Dometic-asennusopasta vastaavalla tavalla.
- Pienoisjääkaappia ei saa ottaa käyttöön, jos siinä on näkyviä vaurioita.
- Jos tämän pienoisjääkaapin liitäntäjohto on vaurioitunut, valmistajan, huoltopalvelun tai vastaavasti koulutetun ammattilaisen tulee vaihtaa se vaaratilanteiden välttämiseksi.
- Tätä pienoisjääkaappia saavat korjata ainoastaan tehtävään pätevät ammattilaiset. Virheellisesti suoritetuista korjaustoista saattaa aiheutua huomattavia vaaroja.

Palovaara

- Jäähdytyskierron sisältämä kylmäaine on helposti syttyvää. Jos jäähdytyskierrossa on mikä tahansa vaurio:
 - Kytke pienoisjääkaappi pois päältä.
 - Ehkäise avotulen ja sytytyskipinöiden esiintyminen.
 - Tuuleta tila huolellisesti.

Räjähdysvaara

- Älä säilytä pienoisjääkaapissa mitään räjähdysalttiita tavaroita kuten esim. suihkepurkkeja, joissa on palavaa ponneainetta.

Terveysvaara

- Älä milloinkaan avaa absorptioaggregaattia. Se on korkean paineen alainen ja voi aiheuttaa loukkaantumisia, jos se avataan.
- Tätä pienoisjääkaappia voivat käyttää valvonnan alaisuudessa myös vähintään 8-vuotiaat lapset samoin kuin henkilöt, joiden fyysiset, aistinvaraiset tai henkiset kyvyt ovat rajoittuneet tai joilta puuttuu laitteen käytön vaatima kokemus tai tietämys, mikäli edellä mainittuja henkilöitä on opastettu käyttämään pienoisjääkaappia turvallisesti ja mikäli henkilöt ymmärtävät laitteen käyttöön liittyvät riskit.
- Lapset eivät saa leikkiä pienoisjääkaapilla.
- Lapset eivät saa ilman valvontaa puhdistaa laitetta eivätkä ryhtyä käyttäjälle sallittuihin kunnossapitotöihin.
- 3–8-vuotiaat lapset saavat täyttää ja tyhjentää pienoisjääkaappia.



HUOMIO! Näiden varoitusten noudattamatta jättäminen voi johtaa vähäiseen tai kohtalaiseen vammaan.

Rusentumisvaara

- Älä koske saranaan.

Terveysvaara

- Elintarvikkeita saa säilyttää vain alkuperäispakkauksissa tai tarkoitukseen sopivissa astioissa.



HUOMAUTUS! Vahingonvaara

- Vertaa tyyppikilven jännitetietoja käytettävissä olevaan energiansyöttöön.
- Pienoisjääkaappi ei sovellu syövyttävien tai liuottimia sisältävien aineiden varastointiin.
- Kylmälaitteen eristeet sisältävät syttyvää syklopentaania, joten ne vaativat erityisen hävittämismenetelmän. Kun kylmälaite on tullut käyttökänsä päähän, toimita se asianmukaiseen kierrätyspisteeseen.
- Pidä virtausaukko aina puhtaana.
- Älä missään tapauksessa avaa jäähdytyskiertoa.
- Kuljeta pienoisjääkaappia vain pystyasennossa.

2.2 Pienoisjääkaapin turvallinen käyttäminen



VAARA! Näiden varoitusten noudattamatta jättäminen johtaa kuolemaan tai vakavaan vammaan.

Sähköiskun vaara

- Älä kosketa avojohtimia koskaan paljain käsin.



HUOMIO! Näiden varoitusten noudattamatta jättäminen voi johtaa vähäiseen tai kohtalaiseen vammaan.

Sähköiskun vaara

- Varmista ennen pienoiskaapin käyttöönottoa, että johto ja pistoke ovat kuivia.

Terveysvaara

- Varmista, että panet pienoisjääkaappiin vain esineitä tai tuotteita, joita saa säilyttää valitussa lämpötilassa.
- Elintarvikkeita saa säilyttää vain alkuperäispakkauksissa tai tarkoitukseen sopivissa astioissa.
- Oven avaaminen pitkiksi ajoiksi voi merkittävästi nostaa lämpötilaa pienoisjääkaapin lokeroissa.
- Puhdista säännöllisesti pinnat, jotka voivat joutua kosketuksiin elintarvikkeiden ja suojaamattomien viemärijärjestelmän osien kanssa.
- Jos pienoisjääkappi jätetään tyhjäksi pitkäksi ajaksi:
 - Kytke pienoisjääkaappi pois päältä.
 - Sulata pienoisjääkappi.
 - Puhdista ja kuivaa pienoisjääkappi.
 - Jätä ovi auki, jotta pienoisjääkaapin sisälle ei pääse muodostumaan homeita.



HUOMAUTUS! Vahingonvaara

- Sijoita painavat esineet kuten pullot ja tölkit vain pienoisjääkaapin oveen tai alimmalle hyllylle.
- Älä käytä pienoisjääkaapin sisällä sähkölaitteita, ellei valmistaja suosittele näitä sähkölaitteita tähän tarkoitukseen.
- Älä aseta laitetta alttiiksi avotulelle tai muille lämpölähteille (lämmittimet, suora auringonpaiste, kaasuuunit jne.).
- Varmista, että tuuletusaukkoja ei ole peitetty.
- Älä koskaan upota pienoisjääkappia veteen.
- Suojaa pienoisjääkappi ja kaapeli kuumuudelta ja kosteudelta.
- Huolehdi siitä, etteivät elintarvikkeet koske jääkaappiosaston seinää.

3 Toimituskokonaisuus

Määrä	Kuvaus
1	Pienoisjääkaappi
1	Asennus- ja käyttöohje

4 Käyttötarkoitus

Jäähdytyslaite (josta käytetään myös nimitystä minijääkaappi) on suunniteltu käytettäväksi suljetuissa rakennuksissa, kuten:

- Henkilökuntakeittiöissä, toimistoissa ja muissa työpisteissä
- Maataloudessa
- Hotelleissa, motelleissa ja muissa majoitusliikkeissä
- Bed and breakfast -paikoissa
- Catering-toiminnassa tai vastaavassa tukkutoiminnassa

Minijääkaappi ei sovi asennettavaksi asuntovaunuihin ja matkailuautoihin.

Tämä minijääkaappi on tarkoitettu joko kiinteästi asennettavaksi laitteeksi tai vapaasti seisovaksi kylmälaitteeksi. Katso asennusohjeet.

Minijääkaappi on suunniteltu yksinomaan suljetuissa astioissa olevien juomien ja ruokien sekä tuoreiden elintarvikkeiden jäähdyttämiseen ja säilyttämiseen.

Minijääkaappi ei sovi lääkeaineiden säilyttämiseen eikä elintarvikkeiden pakastamiseen.

Tämä minijääkaappi soveltuu ainoastaan näissä ohjeissa ilmoitettuun käyttötarkoitukseen ja käyttökohteeseen.

Näistä ohjeista saat minijääkaapin asianmukaiseen asennukseen ja/tai käyttöön tarvittavat tiedot. Väärin tehdyn asennuksen ja/tai väärän käyttötavan tai vääränlaisen huollon seurauksena laite ei toimi tyydyttävästi, ja se saattaa mennä epäkuntoon.

Valmistaja ei ota vastuuta tapaturmista tai tuotevaurioista, jotka johtuvat seuraavista:

- Väärin tehty kokoaminen tai sähköliitäntä, ylijännite mukaan lukien
- Väärin tehty huolto tai muiden kuin valmistajalta saatavien alkuperäisten varaosien käyttö
- Tuotteeseen ilman valmistajan nimenomaista lupaa tehdyt muutokset
- Käyttö muuhun kuin tässä ohjeessa ilmoitettuun tarkoitukseen

Dometic pidättää itsellään oikeuden muutoksiin tuotteen ulkonäössä ja spesifikaatioissa.

5 Tekninen kuvaus

Laite on pienoislämpökaappi, joka perustuu absorptiojäähdytykseen. Kylmäaineena käytetään ammoniakia. Kaikki käytetyt materiaalit ovat elintarvikkeille harmittomia. Jäähdytyskiertoa ei tarvitse huoltaa.

Pienoislämpökaappi on saatavissa vapaasti seisovana versiona (**FS**) ja kalusteisiin upotettavana versiona (**BI**).

Vapaasti seisova versio on tarkoitettu käytettäväksi vapaasti seisovana. Jäähdytysyksikön kansi suojaa jäähdytysyksikön lämpimiä osia. Jalustakehys, jossa on tuuletusreiät, takaa riittävän ilmanvaihdon. Poistamalla jalustakehys ja jäähdytysyksikön kansi pienoislämpökaappia voidaan käyttää upotettavan version tavoin.

Upotettava versio on tarkoitettu asennettavaksi kalusteiden sisään. Siinä ei ole jalustakehystä tai jäähdytysyksikön kantta.

Lämpötilaa säädetään pienoislämpökaapin sisällä olevan termostaattisäätimen avulla.

Elektroniikka tarkistaa pienoislämpökaapin toiminnan jokaisen sulatusvaiheen jälkeen mittaamalla lämpötilan laskun höyrystimessä. Jos se havaitsee ongelman, se sammuttaa pienoislämpökaapin ja sisävalo vilkkuu jatkuvasti.

Pienoislämpökaappi on varustettu automaattisella sulatus toiminnolla. Jokainen sulatusvaihe kestää 2 tuntia. Ensimmäinen sulatusvaihe alkaa 39 tunnin kuluttua siitä, kun kylmälaite on kytketty päälle. Sen jälkeen sulatusvaihe toistuu 22 tunnin välein.

Sulatuksessa syntyvä vesi valuu tippaurasta poistoputken kautta haihdutusastiaan, joka on pienoislämpökaapissa takana alhaalla. Sulatuksessa syntynyt vesi haihtuu automaattisesti kiertävään ilmaan, joten astiaa ei tarvitse tyhjentää.

Kaksi ovianturia tarkkailee, onko ovi auki.

5.1 Osat

Erilaiset pienoislämpökaappityypit kuvataan seuraavissa kuvissa:

- DS200: kuva **1**, sivulla 3
- DS300: kuva **2**, sivulla 4
- DS400: kuva **3**, sivulla 5
- DS600: kuva **4**, sivulla 6

Nro	Selitys
1	Termostaatti
2	Sisävalaistus
3	Peittää jäähdytysyksikköä (vain vapaasti seisovissa malleissa)
4	Haihduutin
5	Luukku
6	Oven lukko (valinnainen)
7	Ilma-anturi
8	Jalustakehys (vain vapaasti seisovissa malleissa)
9	Kannatinritilä
10	Höyrystinanturi
11	Ovianturi
12	Ovipaneelit

6 Pienoisjääkaapin asentaminen ja liittäminen

6.1 Pienoisjääkaapin asennusohjeet

Huomaa seuraava, kun asennat pienoisjääkaapin:

- Asenna pienoisjääkaappi siten, että lämmennyt ilma pääsee poistumaan (joko yläpuolelta tai sivuilta, kuva **5**, sivulla 7).

Kohde - kuva 5 , sivulla 7	Selitys
1	Kylmä imuilma
2	Lämmennyt poistoilma
3	Pienoisjääkaapin yläpuolinen rako, jos poistoilma ei pääse kiertämään asianmukaisesti ylös tai sivulle

- Ota huomioon seuraava asennusmitat:
 - DS 200: kuva **19**, sivulla 12
 - DS 300: kuva **20**, sivulla 13
 - DS 400: kuva **21**, sivulla 14
 - DS 600: kuva **22**, sivulla 15
- Kotelon tai rakenteen aukkojen (tuuletusrakojen ym.) eteen ei saa sijoittaa esineitä.

6.2 Vapaasti seisovan version asennus

Ota huomioon seuraava, kun asetat pienoisjääkaapin vapaasti seisovaksi:

- Varmista, että jäähdytysyksikön kuumia osia peittävä kansi on paikallaan.
- Varmista, että ovikehys on kiinnitetty ja ilma pääsee kiertämään asianmukaisesti.
- ▶ Aseta pienoisjääkaappi tasaiselle alustalle. Käytä vatupassia tämän tarkastamiseen.

6.3 Upotettavan version asentaminen



HUOMIO! Terveysriski

Jotta laitteen epävakaas ei aiheuttaisi vaaraa, se on kiinnitettävä ohjeiden mukaisesti.

Noudata seuraavia ohjeita, jos haluat asentaa pienoisjääkaapin kaapistoon:

- Aseta pienoisjääkaappi tasaiselle alustalle. Käytä vatupassia tämän tarkastamiseen.
- Jätä 20 mm rakoa seiniin.
- Ilman on päästävä kiertämään esteettä (kuva **5**, sivulla 7).
- Koko jäähdytysyksikön täytyy yltää ilmanvaihtokanavaan.
- Muut lämmönlähteet eivät saa noudattaa ilmanvaihtokanavassa olevaa ilmaa.
- Tuuletusritilän poikkipinta-alan täytyy olla vähintään 200 cm².

Asenna pienoisjääkaappi paikalleen seuraavien ohjeiden mukaisesti (kuva **6**, sivulla 8):

- ▶ Pystytä pienoisjääkaappi ja ruuvaa laitteen jalvoja.

6.4 Ovenkahvan asentaminen (valinnainen)

- ▶ Menettele ovenkahvan kiinnittämiseksi esitetyllä tavalla (kuva **7**, sivulla 8).

- Menettele ovenkahvan irrottamiseksi esitetyllä tavalla (kuva **8**, sivulla 8).

6.5 Oven kätisyyden vaihto



VAROITUS! Sähköiskun vaara

Irrota verkkopistoke ennen kuin teet mitään pienoisjääkaappia koskevia töitä.



HUOMAUTUS! Vaurioitumisvaara!

Pienoisjääkaappi saa olla kyljellään vain hetken.

Voit vaihtaa oven kätisyyttä siten, että ovi ei avaudu oikealle vaan vasemmalle.

- Toimi oven saranan kätisyyden vaihtamiseksi esitetyllä tavalla:
 - **Vapaasti seisova versio:** kuva **9**, sivulla 9 – kuva **13**, sivulla 10
 - **Kalusteisiin upotettava versio:** kuva **10**, sivulla 9 – kuva **12**, sivulla 9

6.6 Oven koristepaneelin vaihto



HUOMAUTUS! Vaurioitumisvaara

Pienoisjääkaappi saa olla kyljellään vain hetken.

Oven koristepaneelin mitat ovat seuraavat:

Malli	Leveys	Korkeus	Paksuus
DS200	383 ± 0,5 mm	310 ± 0,5 mm	2 mm
DS300	383 ± 0,5 mm	395 ± 0,5 mm	
DS400	383 ± 0,5 mm	395 ± 0,5 mm	
DS600	449 ± 0,5 mm	408 ± 0,5 mm	

- Irrota oven kahva tarvittaessa (kap. "Ovenkahvan asentaminen (valinnainen)" sivulla 178).
- Irrota oven lukon pidikerengas tarvittaessa.
- Jatka koristepaneelin irrottamiseksi esitetyllä tavalla (kuva **14**, sivulla 10).
- Jatka koristepaneelin kiinnittämiseksi esitetyllä tavalla (kuva **15**, sivulla 10).

7 Pienoisjääkaapin käyttäminen



HUOMAUTUS! Vahingonvaara

- Huolehdi siitä, ettet jäähdytä lasiastioissa olevia juomia tai ruokia liian voimakkaasti. Juomat ja nestemäiset ruoat laajenevat jäätyessään. Tämä voi rikkoa lasiastian.
- Varmista, että panet pienoisjääkaappiin vain esineitä tai tuotteita, joita saa säilyttää valitussa lämpötilassa.

7.1 Ennen ensimmäistä käyttökertaa

Hygienesyistä uusi pienoisjääkaappisi täytyy puhdistaa sisältä ja ulkoa kostealla liinalla ennen ensimmäistä käyttöönottoa (ks. myös kap. ”Puhdistus ja hoito” sivulla 182).

7.2 Energian säästäminen

- Avaa pienoisjääkaappi vain silloin ja vain niin pitkäksi aikaa kuin on tarpeen.
- Anna lämpimien elintarvikkeiden jäähtyä, ennen kuin panet niitä laitteeseen kylmäsäilytettäväksi.
- Vältä tarpeettoman matalaa sisälämpötilaa.
- Ihanteellisen energiankulutuksen saavuttamiseksi laita sijoita ja laatikot niin kuin ne olivat toimituksen yhteydessä.
- Varmista säännöllisesti, että oven tiiviste istuu kunnolla.
- Puhdista lauhdutin säännöllisin väliajoin pölystä ja liasta.

7.3 Hyllyjen sijoittaminen paikalleen

DS200, DS300

Toimi kuvan mukaisesti (kuva **16**, sivulla 11).

DS400, DS600

Toimi kuvan mukaisesti (kuva **17**, sivulla 11).

7.4 Päälle kytkeminen

- ▶ Liitä verkkopistoke pistorasiaan.
- ✓ Pienoisjääkaappi aloittaa itsetestauksen.

- ✓ LED välähtää aluksi useita kertoja ja palaa sitten jatkuvasti.
- ✓ Pienoisjääkaappi on päällä.

**OHJE**

Pienoisjääkaapilla menee päälle kytkemisen jälkeen useita tunteja, ennen kuin pienoisjääkaapin sisustan jäähdytyslämpötila vastaa asetusta.

7.5 Lämpötilan säätö

Huomaa seuraava ruokahävikin välttämiseksi:

- Pidä lämpötilan heilahtelu mahdollisimman pienenä. Avaa jääkaappi vain silloin ja vain niin pitkäksi aikaa kuin on tarpeen. Säilytä elintarvikkeet niin, että ilma pääsee kiertämään hyvin.
 - Säädä lämpötila elintarvikkeiden määrää ja tyyppiä vastaavaksi.
 - Sijoittele erityyppiset elintarvikkeet kuvien esittämällä tavalla.
 - Elintarvikkeeseen voi helposti tarttua hajua tai makua tai siitä voi irrota näitä. Säilytä elintarvikkeet aina peitettynä tai suljetuissa astioissa/pulloissa.
- Aseta termostaattisäädin (kuva **18**, sivulla 12) keskiasentoon. Eri asento voi olla tarpeen täyttöä ja asennusoloja vastaavasti. Säätimen kääntäminen suuren symbolin suuntaan suurentaa jäähdytystehoa; pienemmän symbolin suuntaan kääntäminen pienentää jäähdytystehoa.

7.6 Pois päältä kytkeminen ja säilyttäminen

Jos et aio käyttää pienoisjääkaappia pitkään aikaan, toimi seuraavasti:

- Vedä verkkopistoke pistorasiasta.
- Puhdista pienoisjääkaappi (katso kap. "Puhdistus ja hoito" sivulla 182).
- Jätä ovi auki hajujen muodostumisen välttämiseksi.

7.7 LEDin vaihtaminen

**HUOMAUTUS! Vaurioitumisvaara**

Vaaran välttämiseksi lampun voi vaihtaa vain valmistaja, asiakaspalvelu tai henkilö, jolla on vastaava pätevyys.

8 Puhdistus ja hoito



VAROITUS! Sähköiskusta johtuva hengenvaara

Irrota jääkaappi verkosta aina ennen puhdistusta ja huoltoa.



HUOMAUTUS! Vaurioitumisvaara

- Älä käytä puhdistamiseen voimakkaita puhdistusaineita tai kovia esineitä, koska ne voivat vahingoittaa jääkaappia.
- Älä koskaan käytä kovia tai teräviä esineitä jääkerrostumisen poistoon tai kiinni jäätyneiden esineiden irrottamiseen.
- Älä yritä nopeuttaa sulamisprosessissa mekaanisten tai muunlaisten apuvälineiden avulla.

- Puhdista jääkaappi kostealla liinalla säännöllisin väliajoin tai heti, kun se on likaantunut.
- Huolehdi siitä, ettei vesipisaroita putoa tiivisteisiin. Se voi vaurioittaa elektroniikkaa.
- Kuivaa jääkaappi puhdistuksen jälkeen liinalla.
- Puhdista sulamisveden poistoliitäntä säännöllisesti.

Puhdista sulamisveden poistoliitäntä tarvittaessa. Jos liitäntä on tukkeutunut, sulamisvesi kerääntyy jääkaapin pohjalle.

9 Vianetsintä

Häiriö	Mahdollinen syy	Ratkaisu
El jäähdystystä, absorptioyksikkö kylmä	Virtapistoke ei ole pistorasiassa	Työnnä pistoke pistorasiaan.
	Pistorasiassa ei ole jännitettä	Tarkista huoneiston sulake.
	Elektroniikassa tai antureissa on vikaa	Valtuutettu huoltoliike: Asenna uusi elektroniikka tai anturit.
	Lämmityspatruuna viallinen	Valtuutettu huoltoliike: Asenna uusi lämmityspatruuna.
	Sulatusvaihe käynnissä	Toimenpiteitä ei tarvita

Häiriö	Mahdollinen syy	Ratkaisu
Ei jäähdystystä, absorptioyksikkö lämmin	Jääkaappi ei ole vaakasuorassa	Suuntaa jääkaappi vatupassin avulla.
	Jääkaappi on kytketty päälle hiljattain	Tarkasta jäähdytys uudelleen 5–6 tunnin kuluttua.
	Kylmälaitteisto viallinen	Valtuutettu huoltoliike: Vaihda jääkaappi.
Huono jäähdystysteho	Jääkaappi altistuu suoralle auringonpaisteelle	Siirrä jääkaappi pois auringonpaisteesta.
	Jääkaapin ovi ei ole sulkeudu tiiviisti	Tarkista välit (kuva 5 , sivulla 7). Valtuutettu huoltoliike: Vaihda ovitiiviste.
	Jääkaappi on täytetty hiljattain	Tarkasta jäähdytys uudelleen 5–6 tunnin kuluttua.
Jääkaappiin muodostuu huurretta	Jääkaapin ovitiiviste ei ole sulkeudu kunnolla	Tarkista välit (kuva 5 , sivulla 7) Valtuutettu huoltoliike: Vaihda ovitiiviste
Ei jäähdystystä, sisävalo vilkkuu	Jääkaappi on ylikuormittunut	► Irrota laite sähkösyötöstä vähintään 10 sekunniksi.
	Ovea ei ole suljettu kunnolla	► Liitä laite
	Ilma ei kierrä riittävästi jäähdytysyksikössä	Tämä resetoit elektroniikan ja laitteen tulisi palata normaaliin toimintaan.
Jääkaappi ei ole vaakasuorassa	Jos LEDit alkavat vilkkuu uudelleen, on ilmennyt suurempi vika: ► Käänny valtuutetun korjauspalvelun puoleen.	

10 Takuu

Tuotetta koskee lakisääteinen tuotevastuu-aika. Jos tuote on viallinen, ota yhteyttä jälleenmyyjään tai valmistajan toimipisteeseen omassa maassasi (ks. dometic.com/dealer).

Jos lähetät tuotteen korjattavaksi, liitä korjaus- ja takuukäsittelyä varten mukaan seuraavat asiakirjat:

- Kopio kuitista, jossa näkyy ostopäivä
- Valitusperuste tai vikakuvaus


11 Hävittäminen

- Vie pakkausmateriaali mahdollisuuksien mukaan vastaavan kierrätysjätteen joukkoon.



Jos poistat tuotteen lopullisesti käytöstä, pyydä tietoa sen hävittämistä koskevista määräyksistä lähimmästä kierrätyskeskuksesta tai ammattiliikkeestäsi.

12 Tekniset tiedot

	DS200	DS300	DS400	DS600
Tulojännite:	220 – 240 V			
Nimellisoteho:	65 W			
Kokonaistilavuus:	23 l	28 l	34 l	45 l
Energiatohokkuusluokka:	D			
Energiankulutus:				
– FS:	0,793 kWh/ 24 h	0,801 kWh/ 24 h	0,807 kWh/ 24 h	0,821 kWh/ 24 h
– BI:	0,809 kWh/ 24 h	0,817 kWh/ 24 h	0,823 kWh/ 24 h	0,836 kWh/ 24 h
Ilmastoluokka:	N		SN	
Tarkoitettu käytön ympäristölämpötila:	+10 °C ... +32 °C			
Melupäästöt:	0 dB(A)			
Ponneaine:	Syklopentaani			
Kylmäaine:	Ammoniakki			
Mitat K x L x S:	kuva 19 , sivulla 12	kuva 20 , sivulla 13	kuva 21 , sivulla 14	kuva 22 , sivulla 15
Paino:	14 kg	15 kg	17 kg	20 kg
Tarkastus/sertifikaatti:				

Laitteesi voimassa olevan EU-vaatimustenmukaisuusvakuutuksen saat kyseisen tuotteen sivulta osoitteesta dometic.com tai suoraan valmistajalta (ks. dometic.com/dealer).

Lisää tuotetietoja saat kuvissa olevan energiamerkin QR-koodin kautta tai osoitteesta eprel.ec.europa.eu.

Пожалуйста, внимательно прочтите и соблюдайте все указания, рекомендации и предупреждения, содержащиеся в этом руководстве по использованию изделия, чтобы гарантировать правильную установку, использование и обслуживание изделия. Эта инструкция ДОЛЖНА оставаться вместе с этим изделием.

Используя изделие, вы тем самым подтверждаете, что внимательно прочитали все указания, рекомендации и предупреждения, а также, что вы понимаете и соглашаетесь соблюдать положения и условия, изложенные в настоящем документе. Вы соглашаетесь использовать это изделие только по прямому назначению и в соответствии с указаниями, рекомендациями и предупреждениями, изложенными в данном руководстве по использованию изделия, а также в соответствии со всеми применимыми законами и правилами. Несоблюдение указаний и предупреждений, изложенных в данном документе может привести к травмам вас и других лиц, повреждению вашего изделия или повреждению другого имущества, находящегося поблизости. Данное руководство по использованию изделия, включая указания, рекомендации и предупреждения, а также сопутствующую документацию, может подвергаться изменениям и обновлениям. Актуальную информацию о продукте можно найти на сайте documents.dometic.com, dometic.com.

Оглавление

1	Пояснение символов	186
2	Указания по технике безопасности	187
3	Комплект поставки	190
4	Использование по назначению	190
5	Техническое описание	191
6	Монтаж и подключение мини-холодильника	193
7	Использование мини-холодильника	196
8	Очистка и уход	198
9	Устранение неисправностей	199
10	Гарантия	200
11	Утилизация	200
12	Технические характеристики	201

1 Пояснение символов



ОПАСНОСТЬ!

Указание по технике безопасности, указывающее на опасную ситуацию, которая ведет к смерти или серьезной травме, если ее не предотвратить.



ПРЕДУПРЕЖДЕНИЕ!

Указание по технике безопасности, указывающее на опасную ситуацию, которая может привести к смерти или серьезной травме, если ее не предотвратить.

**ОСТОРОЖНО!**

Указание по технике безопасности, указывающее на опасную ситуацию, которая может привести к травмам легкой или средней тяжести, если ее не предотвратить.

**ВНИМАНИЕ!**

Указание на ситуацию, которая может привести к материальному ущербу, если ее не предотвратить.

**УКАЗАНИЕ**

Дополнительная информация по управлению продуктом.

2 Указания по технике безопасности

2.1 Основные указания по технике безопасности



ПРЕДУПРЕЖДЕНИЕ! Несоблюдение этих предупреждений может привести к смерти или серьезной травме.

Опасность поражения электрическим током

- Убедитесь, что мини-холодильник был установлен квалифицированным специалистом в соответствии с руководством по монтажу Dometic.
- Запрещается использовать мини-холодильник, если он имеет видимые повреждения.
- Во избежание опасных ситуаций в случае повреждения питающего кабеля необходимо заменить мини-холодильник, обратившись к изготовителю, в сервисный центр или к специалисту с аналогичной квалификацией.
- Ремонт данного мини-холодильника разрешается выполнять только квалифицированному персоналу. Если ремонт выполнен неправильно, эксплуатация устройства может представлять опасность.

Опасность возникновения пожара

- Хладагент в холодильном контуре легко воспламеняется.
В случае повреждения контура хладагента:
 - Выключите мини-холодильник.
 - Избегайте открытого огня и искр.
 - Хорошо проветрите помещение.

Опасность взрыва

- Не храните в мини-холодильнике взрывоопасные вещества, например, аэрозольные баллоны с горючим газами-вытеснителями.

Опасность для здоровья

- Запрещается открывать холодильный агрегат. При открывании имеется опасность получения травм из-за высокого давления внутри холодильного агрегата.
- Этот мини-холодильник может использоваться детьми с 8-ми лет и старше, а также лицами с ограниченными физическими, сенсорными и умственными возможностями или при недостатке необходимого опыта и знаний только под присмотром или после прохождения инструктажа по безопасному использованию мини-холодильника, если они понимают опасности, которые при этом могут возникнуть.
- Детям запрещается играть с мини-холодильником.
- Запрещается выполнять очистку и пользовательское техническое обслуживание детям без присмотра.
- Детям в возрасте от 3 до 8 лет разрешается загружать и разгружать мини-холодильник.

**ОСТОРОЖНО! Несоблюдение этих предостережений может привести к травме легкой или средней степени тяжести.****Опасность сдавливания**

- Не беритесь за петлю.

Опасность для здоровья

- Продукты питания разрешается хранить только в оригинальной упаковке или подходящих емкостях.

**ВНИМАНИЕ! Риск повреждения**

- Убедитесь, что значения напряжения, указанные на заводской табличке, соответствуют характеристикам имеющегося источника питания.
- Мини-холодильник не предназначен для хранения едких или содержащих растворители веществ.
- В изоляции холодильника содержится горючий циклопентан, который требует особого метода утилизации. По окончании срока службы сдайте охлаждающее устройство в соответствующий центр утилизации.
- Всегда содержите в чистоте сливное отверстие.

- Категорически запрещается вскрывать холодильный контур.
- Переносите мини-холодильник только в вертикальном положении.

2.2 Техника безопасности при работе мини-холодильника



ОПАСНОСТЬ! Несоблюдение этих предупреждений ведет к смерти или серьезной травме.

Опасность поражения электрическим током

- Не беритесь голыми руками за оголенные провода.



ОСТОРОЖНО! Несоблюдение этих предостережений может привести к травме легкой или средней степени тяжести.

Опасность поражения электрическим током

- Перед включением мини-холодильника убедитесь, что питающий кабель и штекер сухие.

Опасность для здоровья

- Следите за тем, чтобы в мини-холодильнике находились только предметы и продукты, которые разрешается охлаждать до выбранной температуры.
- Продукты питания разрешается хранить только в оригинальной упаковке или в подходящих емкостях.
- Удерживание двери открытой в течение длительного времени может привести к существенному повышению температуры внутри мини-холодильника.
- Регулярно очищайте поверхности, которые могут контактировать с пищевыми продуктами и доступными сливными системами.
- Если мини-холодильник остается пустым в течение длительного времени:
 - Выключите мини-холодильник.
 - Разморозьте мини-холодильник.
 - Очистите и высушите мини-холодильник.
 - Оставьте дверь открытой, чтобы предотвратить образование плесени внутри мини-холодильника.



ВНИМАНИЕ! Риск повреждения

- Тяжелыми предметами, такими как бутылки или банки, заставляйте исключительно полки на двери мини-холодильника или нижнюю решетку.

- Не используйте электроприборы внутри мини-холодильника, за исключением случаев, когда эти приборы рекомендованы для этого изготовителем.
- Не устанавливайте устройство вблизи открытого огня или других источников тепла (радиаторов отопления, сильных солнечных лучей, газовых печей и т. п.).
- Убедитесь в том, что вентиляционные отверстия не перекрыты.
- Не погружайте мини-холодильник в воду.
- Не подвергайте мини-холодильник и кабели воздействию высоких температур и влаги.
- Следите за тем, чтобы продукты питания не касались внутренних стенок холодильника.

3 Комплект поставки

Количество	Наименование
1	Мини-холодильник
1	Руководство по эксплуатации и монтажу

4 Использование по назначению

Охлаждающее устройство (также называемое мини-холодильником) предназначено для работы в закрытых помещениях, например:

- на кухнях для персонала в магазинах, офисах и других рабочих зонах
- в аграрном секторе
- в отелях, мотелях и других местах проживания
- в гостиницах типа «постель и завтрак»
- на предприятиях общественного питания или аналогичных предприятиях оптовой торговли

Мини-холодильник не рассчитан для монтажа в жилых фургонах или кемперах.

Этот мини-холодильник предназначен для использования в качестве встраиваемого или свободно стоящего устройства. См. инструкцию по монтажу.

Мини-холодильник предназначен исключительно для охлаждения и хранения напитков и продуктов питания в закрытых емкостях и свежих продуктов.

Мини-холодильник не пригоден для хранения лекарств или для замораживания продуктов.

Этот мини-холодильник подходит только для использования по назначению и применения в соответствии с данной инструкцией.

В данной инструкции содержится информация, необходимая для правильного монтажа и/или эксплуатации мини-холодильника. Неправильный монтаж и/или ненадлежащая эксплуатация или техническое обслуживание приводят к неудовлетворительной работе и возможному отказу.

Изготовитель не несет ответственности за какие-либо травмы или повреждение продукта в результате следующих причин:

- Неправильная сборка или подключение, включая повышенное напряжение
- Неправильное техническое обслуживание или использование запасных частей, отличных от оригинальных запасных частей, предоставленных изготовителем
- Изменения в продукте, выполненные без однозначного разрешения изготовителя
- Использование в целях, отличных от указанных в данной инструкции

Компания Dometic оставляет за собой право изменять внешний вид и технические характеристики продукта.

5 Техническое описание

Устройство представляет собой мини-холодильник с абсорбционным охлаждением. В качестве хладагента используется аммиак. Все материалы предназначены для продуктов питания. Холодильный контур не требует обслуживания.

Мини-холодильник предлагается в свободно стоящей версии (**FS**) и встраиваемой версии (**BI**).

Свободно стоящая версия предназначена для автономного использования. Крышка холодильного агрегата защищает теплые части холодильного агрегата. Нижняя рама с вентиляционными отверстиями обеспечивает достаточную вентиляцию. После снятия нижней рамы и крышки холодильного агрегата мини-холодильник может быть использован в качестве встраиваемой версии.

Встроенная версия предназначена для встраивания в мебель. Она не имеет нижней рамы или крышки холодильного агрегата.

Температура регулируется системой термостатического регулирования, расположенной внутри мини-холодильника.

Электроника проверяет работу мини-холодильника после каждой фазы размораживания, измеряя падение температуры испарителя. Если она обнаруживает проблему, она выключает мини-холодильник, и внутреннее освещение постоянно мигает.

Мини-холодильник оснащен функцией автоматического оттаивания. Каждая фаза оттаивания длится 2 часа. Через 39 часов после включения охлаждающего устройства начинается первая фаза оттаивания. После этого каждые 22 часа выполняется фаза оттаивания.

Талая вода проходит через дренажную трубку из капельного канала в сосуд испарителя в нижней задней части мини-холодильника. Талая вода испаряется автоматически в циркулирующий воздух, поэтому нет необходимости опорожнять сосуд.

Два дверных датчика проверяют, открыта ли дверь.

5.1 Компоненты

На иллюстрация ниже представлены различные типы мини-холодильников:

- DS200: рис. **1**, стр. 3
- DS300: рис. **2**, стр. 4
- DS400: рис. **3**, стр. 5
- DS600: рис. **4**, стр. 6

Поз.	Пояснение
1	Термостат
2	Внутреннее освещение
3	Крышка холодильного агрегата (только в отдельно стоящих моделях)
4	Испаритель
5	Дверца
6	Замок двери (опция)
7	Датчик температуры воздуха
8	Нижняя рама (только в отдельно стоящих моделях)
9	Полка
10	Датчик испарителя

Поз.	Пояснение
11	Дверной датчик
12	Дверные вставки

6 Монтаж и подключение мини-холодильника

6.1 Инструкция по установке мини-холодильника

При установке мини-холодильника учитывайте следующее:

- Установите мини-холодильник в месте, в котором обеспечивается эффективный отвод нагретого воздуха (воздух отводится либо вверх, либо в сторону, рис. **5**, стр. 7).

Поз. на рис. 5 , стр. 7	Пояснение
1	Холодный приточный воздух
2	Нагретый отходящий воздух
3	Свободное пространство над мини-холодильником, если отходящий воздух не может должным образом циркулировать вверх или в сторону

- Соблюдайте следующие монтажные размеры:
 - DS200: рис. **19**, стр. 12
 - DS300: рис. **20**, стр. 13
 - DS400: рис. **21**, стр. 14
 - DS600: рис. **22**, стр. 15
- Не закрывайте отверстия (вентиляционные щели и т. п.) в корпусе или в камере холодильника.

6.2 Монтаж свободно стоящей версии

Чтобы установить мини-холодильник в свободно стоящее положение, соблюдайте следующие правила:

- Убедитесь в наличии крышки для защиты горячих компонентов холодильного агрегата.

- Убедитесь, что напольная рама находится на месте для обеспечения надлежащей циркуляции воздуха.
- Установите мини-холодильник на ровную поверхность. Для проверки этого используйте ватерпас.

6.3 Монтаж встроенной версии



ОСТОРОЖНО! Опасность для здоровья

Во избежание опасности из-за неустойчивости устройства оно должно быть закреплено в соответствии с инструкциями.

При установке мини-холодильника в шкаф соблюдайте следующие указания:

- Установите мини-холодильник на ровную поверхность. Для проверки этого используйте ватерпас.
- Оставьте расстояние 20 мм до стен.
- Воздух должен иметь возможность беспрепятственно циркулировать (рис. **5**, стр. 7).
- Весь холодильный агрегат должен выступать в вентиляционный канал.
- Воздух в вентиляционном канале не должен нагреваться другими источниками тепла.
- Вентиляционная решетка должна иметь поперечное сечение не менее 200 см².

При установке мини-холодильника соблюдайте следующий порядок действий (рис. **6**, стр. 8):

- Установите мини-холодильник и прикрутите к ножкам устройства.

6.4 Монтаж ручки двери (опция)

- Чтобы установить ручку двери, действуйте, как показано на рисунке (рис. **7**, стр. 8).
- Чтобы снять ручку двери, действуйте, как показано на рисунке (рис. **8**, стр. 8).

6.5 Перевешивание дверцы



ПРЕДУПРЕЖДЕНИЕ! Опасность поражения электрическим током

Перед выполнением любых работ с мини-холодильником выньте вилку из розетки.



ВНИМАНИЕ! Опасность повреждения!

Мини-холодильник разрешается ставить на бок только на короткое время.

Вы можете перевесить дверцу, чтобы дверца открывалась влево, а не вправо.

- ▶ Установка петли производится следующим образом:
 - **Свободно стоящая версия:** рис. **9**, стр. 9 - рис. **13**, стр. 10
 - **Встроенная версия:** рис. **10**, стр. 9 - рис. **12**, стр. 9

6.6 Замена декоративной панели дверцы



ВНИМАНИЕ! Опасность повреждения

Мини-холодильник разрешается ставить на бок только на короткое время.

Декоративная панель имеет следующие размеры:

Модель	Ширина	Высота	Толщина
DS200	383 ± 0,5 мм	310 ± 0,5 мм	2 м
DS300	383 ± 0,5 мм	395 ± 0,5 мм	
DS400	383 ± 0,5 мм	395 ± 0,5 мм	
DS600	449 ± 0,5 мм	408 ± 0,5 мм	

- ▶ При необходимости, снимите ручку двери (гл. «Монтаж ручки двери (опция)» на стр. 194).
- ▶ При необходимости, снимите стопорное кольцо замка двери.
- ▶ Чтобы снять декоративную панель, действуйте, как показано на рисунке (рис. **14**, стр. 10).
- ▶ Чтобы установить декоративную панель, действуйте, как показано на рисунке (рис. **15**, стр. 10).

7 Использование мини-холодильника



ВНИМАНИЕ! Риск повреждения

- Не допускать сильного охлаждения напитков или блюд в стеклянных емкостях. При замерзании напитки и жидкие блюда расширяются. Это может приводить к разрушению стеклянных емкостей.
- Следите за тем, чтобы в мини-холодильнике находились только предметы и продукты, которые разрешается охлаждать до выбранной температуры.

7.1 Перед первым использованием

Перед вводом нового мини-холодильника в работу его, в гигиенических целях, следует протереть снаружи и изнутри влажной тряпкой (см. также гл. «Очистка и уход» на стр. 198).

7.2 Энергосбережение

- Открывайте мини-холодильник настолько часто, насколько необходимо.
- Дайте теплым блюдам охладиться, прежде чем поддерживать их в холодном состоянии в холодильнике.
- Не допускайте очень низких температур в камере.
- Для оптимального потребления энергии расположите полки и ящики в соответствии с их положением при поставке.
- Регулярно следите за тем, что уплотнение двери по-прежнему прилегает правильно.
- Регулярно очищайте конденсатор от пыли и загрязнений.

7.3 Установка полок

DS 200, DS 300

Соблюдайте порядок действий, как показано (рис. **16**, стр. 11).

DS 400, DS 600

Соблюдайте порядок действий, как показано (рис. **17**, стр. 11).

7.4 Включение

- ▶ Вставьте вилку кабеля питания в розетку.
- ✓ Мини-холодильник начинает самодиагностику.
- ✓ Светодиод сначала мигает несколько раз, а затем горит постоянно.
- ✓ Мини-холодильник включен.



УКАЗАНИЕ

После включения мини-холодильнику требуется несколько часов, чтобы достичь температуры охлаждения в отсеке для мини-холодильника.

7.5 Настройка температуры

Чтобы избежать пищевых отходов, обратите внимание на следующее:

- Обеспечивайте как можно меньшие колебания температуры. Открывайте холодильник настолько часто, насколько необходимо. Храните продукты так, чтобы воздух мог хорошо циркулировать.
 - Отрегулируйте температуру в соответствии с количеством и типом продуктов.
 - Храните различные типы продуктов питания, как показано на рисунках.
 - Пищевые продукты могут легко впитывать или выделять запах или вкус. Всегда храните продукты питания закрытыми сверху или в закрытых контейнерах/бутылках.
- ▶ Установите термостат (рис. **18**, стр. 12) в среднее положение.
- В зависимости от условий заполнения и установки может потребоваться другое положение. Поворот контроллера к большому символу увеличивает охлаждение; поворот к меньшему символу уменьшает охлаждение.

7.6 Выключение и хранение

При прекращении эксплуатации мини-холодильника на длительный срок соблюдайте следующий порядок действий:

- ▶ Вытащите сетевую вилку из розетки.
- ▶ Очистите мини-холодильник (см. гл. «Очистка и уход» на стр. 198).
- ▶ Оставьте дверь открытой, чтобы предотвратить образование запахов.

7.7 Замена светодиода



ВНИМАНИЕ! Опасность повреждения

Во избежание опасных ситуаций замену лампы разрешается выполнять только производителю, сервисной службе или лицу, обладающему соответствующей или аналогичной квалификацией.

8 Очистка и уход



ПРЕДУПРЕЖДЕНИЕ! Опасность для жизни из-за поражения электрическим током

Перед чисткой и уходом всегда отсоединяйте холодильник от сети.



ВНИМАНИЕ! Опасность повреждения

- Не используйте для чистки абразивные чистящие средства или острые предметы, т. к. они могут привести к повреждениям холодильника.
- Для удаления слоя льда и отделения примерзших продуктов не используйте твердые или острые инструменты.
- Для ускорения процесса оттаивания не используйте механические или иные подручные средства.

- ▶ Регулярно и по необходимости очищайте холодильник влажной тряпкой.
- ▶ Следите за тем, чтобы в уплотнения не попадала вода. Это может приводить к повреждениям электронных узлов.
- ▶ После очистки протрите холодильник насухо тряпкой.
- ▶ Регулярно проверяйте слив оттаявшей воды.
При необходимости, очистите слив оттаявшей воды. Если он засорен, то оттаявшая вода скапливается на дне холодильника.

9 Устранение неисправностей

Неисправность	Возможные причины	Устранение
Нет охлаждения, абсорбирующий агрегат холодный	Сетевая вилка не вставлена в розетку	Вставьте сетевую вилку в розетку.
	Нет напряжения в розетке	Проверьте домашней предохранитель.
	Электроника или датчики неисправны	Официальный сервисный центр: Установите новую электронику или датчики.
	Неисправен нагревательный элемент	Официальный сервисный центр: Установите новый нагревательный элемент.
Нет охлаждения, абсорбирующий агрегат теплый	Активна фаза размораживания	Никаких действий не требуется
	Холодильник стоит не горизонтально.	Выровняйте холодильник с помощью ватерпаса.
	Холодильник был включен недавно	Проверьте охлаждение через 5 – 6 часов.
Плохое охлаждение	Неисправен холодильный агрегат	Официальный сервисный центр: Замените холодильник.
	Холодильник находится под прямыми солнечными лучами	Уберите холодильник из прямых солнечных лучей.
	Дверь холодильника не закрывается плотно	Проверьте расстояния (рис. 5, стр. 7). Официальный сервисный центр: Замените уплотнение двери.
Образование инея в отсеке для холодильника	Холодильник был недавно заполнен	Проверьте охлаждение через 5 – 6 часов.
	Дверь холодильника не закрывается плотно	Проверьте расстояния (рис. 5, стр. 7). Официальный сервисный центр: Замените уплотнение двери

Неисправность	Возможные причины	Устранение
Не выполняется охлаждение, внутренняя подсветка мигает	Холодильник перегружен	▶ Отключите устройство от источника питания не менее чем на 10 с.
	Дверца закрыта неправильно.	▶ Присоедините устройство. Это приведет к сбросу электроники, и устройство вернется в нормальный режим работы.
	Отсутствует требуемая циркуляции воздуха для холодильного агрегата	Если светодиоды снова начинают мигать, возникла серьезная неисправность:
	Холодильник стоит не горизонтально.	▶ Обратитесь в официальный сервисный центр.

10 Гарантия

Действителен установленный законом срок гарантии. Если продукт неисправен, обратитесь в торговую организацию или представительство изготовителя в вашей стране (см. dometic.com/dealer).

При обращении по вопросам ремонта или гарантийного обслуживания необходимо также предоставить следующую информацию:

- копию счета с датой покупки
- причину претензии или описание неисправности


11 Утилизация

- ▶ По возможности, выкидывайте упаковочный материал в мусор, подлежащий вторичной переработке.



Если Вы окончательно выводите продукт из эксплуатации, то получите информацию в ближайшем центре по вторичной переработке или в торговой сети о соответствующих предписаниях по утилизации.

12 Технические характеристики

	DS200	DS300	DS400	DS600
Входное напряжение:	220 – 240 В			
Расчетная потребляемая мощность:	65 Вт			
Общий объем:	23 л	28 л	34 л	45 л
Класс энергоэффективности:	D			
Потребление энергии:				
– FS:	0,793 кВтч/ 24 ч	0,801 кВтч/ 24 ч	0,807 кВтч/ 24 ч	0,821 кВтч/ 24 ч
– VI:	0,809 кВтч/ 24 ч	0,817 кВтч/ 24 ч	0,823 кВтч/ 24 ч	0,836 кВтч/ 24 ч
Климатический класс:	N		SN	
Предполагаемая температура окружающей среды:	от +10 °С до +32 °С			
Акустическая эмиссия:	0 дБ (А)			
Вытеснитель:	Циклопентан			
Хладагент:	Аммиак			
Размеры В x Ш x Г:	рис. 19 , стр. 12	рис. 20 , стр. 13	рис. 21 , стр. 14	рис. 22 , стр. 15
Вес:	14 кг	15 кг	17 кг	20 кг
Испытания/сертификат:				

Копию действующей декларации соответствия стандартам ЕС на устройство можно получить на странице соответствующего изделия на сайте dometic.com или у производителя (см. dometic.com/dealer).

Дополнительную информацию о продукте можно получить, отсканировав QR-код на наклейке для маркировки энергоэффективности на рисунках или на сайте eprel.ec.europa.eu.

Prosimy o uważne przeczytanie niniejszej instrukcji i przestrzeganie wszystkich instrukcji, wskazówek i ostrzeżeń zawartych w niniejszej instrukcji produktu. Pozwoli to przez cały czas zapewnić prawidłową instalację, zastosowanie oraz konserwację produktu. Niniejsza instrukcja MUSI przez cały czas pozostawać przy produkcie.

Korzystając z produktu, użytkownik potwierdza uważne przeczytanie wszelkich instrukcji, wskazówek i ostrzeżeń, ich zrozumienie oraz zobowiązuje się przestrzegać zawartych w nich warunków. Użytkownik zobowiązuje się wykorzystywać niniejszy produkt wyłącznie zgodnie z jego przeznaczeniem i zamierzonym zastosowaniem oraz z instrukcjami, wskazówkami i ostrzeżeniami wyszczególnionymi w niniejszej instrukcji produktu, jak również ze wszystkimi mającymi zastosowanie przepisami i regulacjami prawnymi. Nieprzestrzeganie zawartych tu instrukcji i ostrzeżeń może skutkować obrażeniami u użytkownika oraz osób trzecich, uszkodzeniem produktu lub też uszkodzeniem mienia w sąsiedztwie produktu. Zastrzega się możliwość wprowadzania zmian i aktualizacji niniejszej instrukcji produktu, wraz z instrukcjami, wskazówkami i ostrzeżeniami oraz powiązaną dokumentacją. Aktualne informacje dotyczące produktu można zawsze znaleźć na stronie documents.dometic.com, dometic.com.

Spis treści

1	Objaśnienia symboli	202
2	Wskazówki bezpieczeństwa	203
3	W zestawie	206
4	Użytkowanie zgodne z przeznaczeniem	206
5	Opis techniczny	207
6	Montaż i podłączanie minilodówki	209
7	Korzystanie z minilodówki	211
8	Czyszczenie i konserwacja	214
9	Usuwanie usterek	215
10	Gwarancja	216
11	Utylizacja	216
12	Dane techniczne	217

1 Objąśnienia symboli



NIEBEZPIECZEŃSTWO!

Wskazówka bezpieczeństwa informująca o niebezpiecznej sytuacji, która – jeśli się jej nie uniknie – prowadzi do śmierci lub ciężkich obrażeń.



OSTRZEŻENIE!

Wskazówka bezpieczeństwa informująca o niebezpiecznej sytuacji, która – jeśli się jej nie uniknie – może prowadzić do śmierci lub ciężkich obrażeń.

**OSTROŻNIE!**

Wskazówka bezpieczeństwa informująca o niebezpiecznej sytuacji, która – jeśli się jej nie uniknie – może prowadzić do lekkich lub średnich obrażeń.

**UWAGA!**

Wskazówka informująca o sytuacji, która – jeśli się jej nie uniknie – może prowadzić do powstania szkód materialnych.

**WSKAZÓWKA**

Informacje uzupełniające dotyczące obsługi produktu.

2 Wskazówki bezpieczeństwa

2.1 Podstawowe zasady bezpieczeństwa



OSTRZEŻENIE! Nieprzestrzeganie tych ostrzeżeń może prowadzić do śmierci lub ciężkich obrażeń.

Ryzyko porażenia prądem

- Upewnić się, że minilodówka została zainstalowana przez wykwalifikowanego technika zgodnie z instrukcją montażu Dometic.
- Nie używać minilodówki, jeśli posiada ona widoczne uszkodzenia.
- Jeśli przewód minilodówki ulegnie uszkodzeniu, aby uniknąć zagrożenia musi zostać on wymieniony przez producenta, jego serwis lub odpowiednio wykwalifikowaną osobę.
- Napraw minilodówki mogą dokonywać tylko odpowiednio wykwalifikowane osoby. -Nieodpowiednio wykonane naprawy mogą być przyczyną poważnych zagrożeń.

Ryzyko pożaru

- Czynniki chłodnicze w obiegu chłodniczym jest łatwopalny.
W razie uszkodzenia obiegu czynnika chłodniczego:
 - Wyłączyć minilodówkę.
 - Unikać otwartego ognia i isker.
 - Dobrze przewietrzyć pomieszczenie.

Ryzyko wybuchu

- W minilodówce nie wolno przechowywać substancji wybuchowych, np. pojemników aerozolowych z palnym gazem wytłaczającym.

Zagrożenie zdrowia

- Nigdy nie należy otwierać agregatu absorpcyjnego. Ponieważ znajduje się on pod wysokim ciśnieniem, w przypadku otwarcia może spowodować obrażenia.
- Dzieci od 8 lat i osoby o ograniczonych możliwościach fizycznych, sensorycznych lub intelektualnych oraz osoby niedysponujące stosowną wiedzą i doświadczeniem mogą używać tej minilodówki jedynie pod nadzorem innej osoby bądź pod warunkiem uzyskania informacji dotyczących bezpiecznego użytkowania minilodówki i zrozumienia wynikających z tego zagrożeń.
- Dzieci nie mogą bawić się minilodówką.
- Dzieci nie mogą czyścić i konserwować urządzenia bez nadzoru.
- Dzieci od 3 do 8 lat mogą napełniać i opróżniać minilodówkę.



OSTROŻNIE! Nieprzestrzeganie tych uwag może prowadzić do lekkich lub umiarkowanych obrażeń.

Ryzyko zmiążdżenia

- Nie dotykać zawiasu.

Zagrożenie zdrowia

- Artykuły spożywcze mogą być przechowywane tylko w oryginalnych opakowaniach lub w odpowiednich pojemnikach.

**UWAGA! Ryzyko uszkodzenia**

- Należy porównać dane dotyczące napięcia na tabliczce znamionowej z dostępnym źródłem zasilania.
- Minilodówka nie nadaje się do przechowywania substancji żrących ani zawierających rozpuszczalniki.
- Izolacja tego urządzenia chłodniczego zawiera palny cyklopentan, przez co wymaga ono specjalnej procedury utylizacyjnej. Po zaprzestaniu jego dalszej eksploatacji urządzenie chłodnicze należy dostarczyć do specjalistycznego zakładu utylizacyjnego.
- Otwór odpływowy zawsze utrzymywać w czystym stanie.
- W żadnym wypadku nie otwierać obiegu chłodzenia.
- Minilodówkę przenosić tylko w pozycji pionowej.

2.2 Bezpieczna obsługa minilodówki



NIEBEZPIECZEŃSTWO! Nieprzestrzeganie tych ostrzeżeń prowadzi do śmierci lub ciężkich obrażeń.

Ryzyko porażenia prądem

- Nigdy nie chwytać gołymi rękami nieosłoniętych przewodów.



OSTROŻNIE! Nieprzestrzeganie tych uwag może prowadzić do lekkich lub umiarkowanych obrażeń.

Ryzyko porażenia prądem

- Przed uruchomieniem minilodówki należy sprawdzić, czy przewód zasilający i wtyczka są suche.

Zagrożenie zdrowia

- Należy uważać, aby w minilodówce umieszczać tylko artykuły, które mogą być przechowywane w ustawionej w niej temperaturze.
- Artykuły spożywcze mogą być przechowywane tylko w oryginalnych opakowaniach lub w odpowiednich pojemnikach.
- Pozostawianie drzwi minilodówki otwartych przez dłuższy czas może spowodować znaczny wzrost temperatury w jej komorach.
- Regularnie czyścić powierzchnie, które mogą mieć kontakt z żywnością i dostępnymi układami odprowadzania wody.
- Jeśli minilodówka ma przez dłuższy czas pozostawać pusta:
 - Wyłączyć minilodówkę.
 - Odszronić minilodówkę.
 - Wyczyścić i wysuszyć minilodówkę.
 - Pozostawić otwarte drzwi, aby w minilodówce nie rozwijała się pleśń.



UWAGA! Ryzyko uszkodzenia

- Ciężkie przedmioty, takie jak butelki czy puszki, należy umieszczać wyłącznie w drzwiach minilodówki lub na dolnej półce.
- Nie używać żadnych urządzeń elektrycznych wewnątrz minilodówki, chyba że zostało to zalecone przez producenta.
- Nie ustawiać urządzeń w pobliżu otwartego ognia ani innych źródeł ciepła (ogrzewania, bezpośredniego promieniowania słonecznego, piekarników gazowych itp.).
- Upewnić się, czy otwory wentylacyjne nie są zakryte.
- Nigdy nie zanurzać minilodówki w wodzie.

- Chronić minilodówkę i kabel przed wysokimi temperaturami i wilgocią.
- Zwracać uwagę, aby produkty spożywcze nie dotykały ścian komory chłodzącej.

3 W zestawie

Ilość	Opis
1	Minilodówka
1	Instrukcja montażu i obsługi

4 Użytkowanie zgodne z przeznaczeniem

Urządzenie chłodnicze (zwane również minilodówką) jest przeznaczone do eksploatacji w zamkniętych pomieszczeniach wewnątrz budynków, np.:

- W kuchniach dla personelu w sklepach, biurach i innych miejscach pracy
- W sektorze rolniczym
- W hotelach, motelach i innych rodzajach zakwaterowania
- W kwaterach prywatnych i pensjonatach
- W cateringu lub podobnych rodzajach działalności hurtowej na małą skalę

Minilodówka nie nadaje się do instalacji w przyczepach kempingowych ani w kamperach.

Minilodówka jest przeznaczona do użytku jako urządzenie do zabudowy lub jako wolnostojące urządzenie chłodnicze. Szczegółowe informacje zawarte są w instrukcji montażu.

Minilodówka służy wyłącznie do chłodzenia i przechowywania napojów oraz żywności w zamkniętych pojemnikach, jak również świeżej żywności.

Minilodówka nie nadaje się do przechowywania leków ani zamrażania żywności.

Minilodówka jest przystosowana wyłącznie do wykorzystywania zgodnie z jej przeznaczeniem oraz zamierzonym zastosowaniem według niniejszej instrukcji.

Niniejsza instrukcja zawiera informacje, które są niezbędne do prawidłowego montażu i/lub obsługi minilodówki. Nieprawidłowy montaż i/lub niewłaściwa obsługa lub konserwacja powodują niezadowalające rezultaty i mogą prowadzić do uszkodzeń.

Producent nie ponosi żadnej odpowiedzialności za ewentualne obrażenia lub uszkodzenia produktu wynikłe z następujących przyczyn:

- Nieprawidłowy montaż lub podłączenie, w tym zbyt wysokie napięcie
- Niewłaściwa konserwacja lub użycie innych części zamiennych niż oryginalne części zamienne dostarczone przez producenta
- Wprowadzanie zmian w produkcie bez wyraźnej zgody producenta
- Użytkowanie w celach innych niż opisane w niniejszej instrukcji obsługi

Firma Dometic zastrzega sobie prawo do zmiany wyglądu i specyfikacji produktu.

5 Opis techniczny

Urządzenie to jest minilodówką wyposażoną w absorpcyjny układ chłodzenia. Jako czynnik chłodniczy wykorzystywany jest amoniak. Wszystkie zastosowane materiały są dopuszczone do kontaktu z żywnością. Obieg chłodzenia jest bezobsługowy.

Minilodówka jest dostępna w wersji wolnostojącej (**FS**) oraz w wersji do zabudowy (**BI**).

Wersja wolnostojąca jest przeznaczona do zastosowania jako urządzenie wolnostojące. Pokrywa agregatu chłodniczego chroni gorące części agregatów chłodniczych. Cokół z otworami wentylacyjnymi zapewnia odpowiednią wentylację. Po zdjęciu cokołu i pokrywy agregatu chłodniczego minilodówka może być używana jako urządzenie do zabudowy.

Wersja do zabudowy jest przeznaczona do montażu w szafce. Nie posiada ona cokołu ani pokrywy agregatu chłodniczego.

Temperaturę ustawia się za pomocą regulatora termostatycznego znajdującego się wewnątrz minilodówki.

Układ elektroniczny sprawdza działanie minilodówki po każdej fazie odszraniania poprzez pomiar spadku temperatury parownika. W przypadku wykrycia nieprawidłowości wyłącza on minilodówkę, a oświetlenie wewnętrzne miga w sposób ciągły.

Minilodówka wyposażona jest w funkcję automatycznego odszraniania. Każda faza odszraniania trwa 2 godziny. Pierwsza faza odszraniania rozpoczyna się 39 godzin po włączeniu urządzenia chłodniczego. Następnie fazy odszraniania przeprowadzane są co 22 godziny.

Woda powstająca podczas odszraniania odprowadzana jest z kanału ociekowego przez rurkę odpływową do zbiornika do odparowywania, znajdującego się w tylnej dolnej części minilodówki. Woda powstająca podczas odszraniania odparowuje automatycznie do powietrza obiegowego, co eliminuje konieczność opróżniania zbiornika.

Dwa czujniki drzwiowe sprawdzają, czy drzwi są otwarte.

5.1 Części składowe

Różne typy minilodówki przedstawiono na poniższych rysunkach:

- DS200: rys. **1**, strona 3
- DS300: rys. **2**, strona 4
- DS400: rys. **3**, strona 5
- DS600: rys. **4**, strona 6

Poz.	Objaśnienie
1	Termostat
2	Oświetlenie wewnętrzne
3	Pokrywa agregatu (tylko w modelach wolnostojących)
4	Parownik
5	Kłapa
6	Blokada drzwi (opcja)
7	Czujnik powietrza
8	Cokół (tylko w modelach wolnostojących)
9	Półka druciana
10	Czujnik parownika
11	Czujnik drzwiowy
12	Półki w drzwiach

6 Montaż i podłączanie minilodówki

6.1 Instrukcja montażu minilodówki

Podczas montażu minilodówki należy przestrzegać poniższych wskazówek:

- Ustawić minilodówkę tak, aby powstające podczas jej pracy rozgrzane powietrze mogło swobodnie uchodzić (do góry albo na boki, rys. **5**, strona 7).

**Poz.
na rys. 5, Objaśnienie
strona 7**

1	zimne powietrze dopływające
2	Odpływ rozgrzanego powietrza
3	Wolne miejsce nad minilodówką, jeśli nie można zapewnić odpowiedniego obiegu powietrza wylotowego w górę lub na bok

- Należy sprawdzić następujące wymiary montażu:
 - DS200: rys. **19**, strona 12
 - DS300: rys. **20**, strona 13
 - DS400: rys. **21**, strona 14
 - DS600: rys. **22**, strona 15
- Nie zakrywać otworów w obudowie (np. otworów wentylacyjnych) lub w strukturze montażowej.

6.2 Instalacja wersji wolnostojącej

Aby ustawić minilodówkę w wersji wolnostojącej, należy przestrzegać poniższych wskazówek:

- Upewnić się, że założona jest osłona gorących elementów agregatu chłodniczego.
- Upewnić się, że założona jest rama podłogowa, wymagana do zapewnienia odpowiedniej cyrkulacji powietrza.
- Ustawić minilodówkę na równej powierzchni. Do kontroli użyć poziomicy.

6.3 Montaż wersji do zabudowy



OSTROŻNIE! Zagrożenie zdrowia

Aby uniknąć niebezpieczeństwa spowodowanego niestabilnym ustawieniem urządzenia, należy je zamocować zgodnie z instrukcją.

Jeśli minilodówka ma zostać zamontowana w szafce, należy przestrzegać poniższych instrukcji:

- Ustawić minilodówkę na równej powierzchni. Do kontroli użyć poziomicy.
- Zachować 20 mm odstępu od ścian.
- Zapewniony musi być niezakłócony obieg powietrza (rys. **5**, strona 7).
- Cały agregat chłodniczy musi wchodzić w kanał wentylacyjny.
- Powietrze w kanale wentylacyjnym nie może być ogrzewane przez żadne inne źródła ciepła.
- Przekrój poprzeczny kratki wentylacyjnej musi wynosić co najmniej 200 cm².

Aby zamontować minilodówkę (rys. **6**, strona 8), należy postępować w następujący sposób:

- Postawić minilodówkę i przykręcić jej nóżki.

6.4 Montaż uchwyty drzwi (opcja)

- W celu zamontowania uchwyty drzwi postępować w zilustrowany sposób (rys. **7**, strona 8).
- W celu zdemontowania uchwyty drzwi postępować w zilustrowany sposób (rys. **8**, strona 8).

6.5 Przełożenie zawiasu drzwiowego



OSTRZEŻENIE! Ryzyko porażenia prądem

Przed przystąpieniem do jakichkolwiek prac przy minilodówce należy odłączyć wtyczkę od zasilania.



UWAGA! Ryzyko uszkodzenia!

Minilodówka może pozostawać ustawiona na bocznej ścianie tylko przez krótki czas.

Istnieje również możliwość zmiany położenia zawiasów, dzięki czemu drzwi będą się otwierały w lewo zamiast w prawo.

- ▶ W celu przełożenia zawiasu drzwi na drugą stronę postępować w zilustrowany sposób:
 - **Wersja wolnostojąca:** rys. **9**, strona 9 do rys. **13**, strona 10
 - **Wersja do zabudowy:** rys. **10**, strona 9 do rys. **12**, strona 9

6.6 Wymiana panelu dekoracyjnego drzwi



UWAGA! Niebezpieczeństwo uszkodzenia

Minilodówka może pozostawać ustawiona na bocznej ścianie tylko przez krótki czas.

Panel dekoracyjny ma następujące wymiary:

Model	Szerokość	Wysokość	Grubość
DS200	383 ± 0,5 mm	310 ± 0,5 mm	2 mm
DS300	383 ± 0,5 mm	395 ± 0,5 mm	
DS400	383 ± 0,5 mm	395 ± 0,5 mm	
DS600	449 ± 0,5 mm	408 ± 0,5 mm	

- ▶ W razie potrzeby zdemontować uchwyt drzwi (rozdz. „Montaż uchwyty drzwi (opcja)” na stronie 210).
- ▶ W razie potrzeby zdemontować pierścień mocujący zamka.
- ▶ W celu demontażu panelu dekoracyjnego postępować w zilustrowany sposób (rys. **14**, strona 10).
- ▶ W celu zamontowania panelu dekoracyjnego postępować w zilustrowany sposób (rys. **15**, strona 10).

7 Korzystanie z minilodówki



UWAGA! Ryzyko uszkodzenia

- Należy uważać, aby nie schładzać nadmiernie napojów lub potraw w szklanych pojemnikach. Podczas zamrażania napoje i płynne potrawy zwiększają swoją objętość, co może spowodować uszkodzenie szklanych pojemników.
- Należy uważać, aby w minilodówce umieszczać tylko artykuły, które mogą być przechowywane w ustawionej w niej temperaturze.

7.1 Przed pierwszym użyciem

Przed pierwszym użyciem minilodówki należy ze względów higienicznych wyczyścić ją od wewnątrz i z zewnątrz wilgotną ściereczką (patrz również rozdz. „Czyszczenie i konserwacja” na stronie 214).

7.2 Oszczędzanie energii

- Drzwi minilodówki otwierać tylko tak często i na tak długo, jak jest to konieczne.
- Ciepłe potrawy należy ochłodzić przed włożeniem do urządzenia.
- Unikać zbyt niskiej temperatury wewnętrznej.
- W celu zapewnienia optymalnego zużycia energii półki i szuflady ustawiać w położeniach, w których zostały one dostarczone.
- Regularnie sprawdzać osadzenie uszczelnienia drzwi.
- Regularnie usuwać ze skraplacza kurz i inne zanieczyszczenia.

7.3 Umieszczanie półek

DS200, DS300

Postępować w zilustrowany sposób (rys. **16**, strona 11).

DS400, DS600

Postępować w zilustrowany sposób (rys. **17**, strona 11).

7.4 Włączanie

- ▶ Podłączyć wtyczkę do gniazdka.
- ✓ Minilodówka rozpoczyna autotest.
- ✓ Oświetlenie LED początkowo miga kilka razy, a następnie świeci się w sposób ciągły.
- ✓ Minilodówka jest włączona.



WSKAZÓWKA

Ustawiona temperatura chłodzenia wewnątrz komory minilodówki osiągnana jest po kilku godzinach od jej włączenia.

7.5 Ustawianie temperatury

Aby zapobiec psuciu się żywności:

- Zapewnić jak najbardziej stabilną temperaturę. Drzwi lodówki otwierać tylko tak często i na tak długo, jak jest to konieczne. Żywność przechowywać w sposób nieutrudniający obiegu powietrza.
 - Dostosować temperaturę do ilości i typu żywności.
 - Różne rodzaje żywności przechowywać w sposób przedstawiony na rysunkach.
 - Żywność może przenikać zapachami i smakami innych artykułów. Żywność zawsze przechowywać pod przykryciem lub w zamkniętych pojemnikach/butelkach.
- Ustawić regulator termostatyczny (rys. **18**, strona 12) w pozycji środkowej. W zależności od stopnia wypełnienia i warunków montażu konieczne może być ustawienie regulatora w innej pozycji. Przekręcenie regulatora w kierunku większego symbolu powoduje ustawienie niższej temperatury, a w kierunku mniejszego symbolu – wyższej temperatury.

7.6 Wyłączenie i przechowywanie

Jeśli minilodówka nie będzie używana przez dłuższy czas, należy wykonać następujące czynności:

- Wyciągnąć wtyczkę z gniazda.
- Wyczyścić minilodówkę (patrz rozdz. „Czyszczenie i konserwacja” na stronie 214).
- Pozostawić otwarte drzwi, aby zapobiec powstawaniu nieprzyjemnych zapachów.

7.7 Wymiana oświetlenia LED



UWAGA! Niebezpieczeństwo uszkodzenia

Aby uniknąć niebezpieczeństwa, wymianę lampki zlecać wyłącznie producentowi, przedstawicielowi serwisu lub odpowiednio wykwalifikowanej osobie.

8 Czyszczenie i konserwacja



OSTRZEŻENIE! Zagrożenie życia w wyniku porażenia prądem

Przed każdym czyszczeniem należy odłączyć lodówkę od sieci.



UWAGA! Niebezpieczeństwo uszkodzenia

- Do czyszczenia nie należy używać agresywnych środków czyszczących ani twardych przedmiotów, gdyż mogą one uszkodzić lodówkę.
- Do usuwania warstw lodu i do oddzielania mocno zamrożonych artykułów od powierzchni zamrażarki nie wolno używać twardych lub ostrych narzędzi.
- Nie używać żadnych mechanicznych lub innych narzędzi w celu przyspieszenia procesu rozmrażania.

- Czyścić lodówkę regularnie wilgotną ściereczką, kiedy tylko pojawią się zabrudzenia.
- Należy uważać, aby woda nie dostała się do uszczeltek. Może to spowodować uszkodzenie elektroniki.
- Po umyciu wytrzeć lodówkę do sucha ścierką.
- Regularnie kontrolować odpływ wody roztopowej.
W razie konieczności wyczyścić odpływ. Jeśli jest zapchany, woda roztopowa będzie się zbierać na dnie lodówki.

9 Usuwanie usterek

Usterka	Możliwa przyczyna	Rozwiązanie
Urządzenie nie chłodzi, agregat absorpcyjny jest zimny	Wtyczka nieprzyłączona	Wetknąć wtyczkę do gniazdka.
	Brak napięcia w gniazdku	Sprawdzić bezpiecznik w instalacji budynku.
	Uszkodzony układ elektryczny lub czujniki	Autoryzowane centrum serwisowe: Wymienić układ elektryczny lub czujniki.
	Uszkodzony element grzejny	Autoryzowane centrum serwisowe: Wymienić element grzejny.
Urządzenie nie chłodzi, agregat absorpcyjny jest ciepły	Trwa faza odszraniania	Brak konieczności podejmowania działań
	Lodówka nie stoi w pozycji poziomej	Wypoziomować lodówkę za pomocą poziomicy.
	Lodówka została niedawno włączona	Ponownie sprawdzić temperaturę po 5–6 godzinach.
Niewystarczająca wydajność chłodzenia	Uszkodzony agregat chłodniczy	Autoryzowane centrum serwisowe: Wymienić lodówkę.
	Lodówka jest wystawiona na bezpośrednie promieniowanie słoneczne	Przestawić lodówkę poza zasięg bezpośredniego promieniowania słonecznego.
	Drzwi lodówki nie zamykają się szczelnie	Sprawdzić odległości (rys. 5, strona 7). Autoryzowane centrum serwisowe: Wymienić uszczelkę drzwi.
Osadzanie się szronu w komorze lodówki	Lodówka została niedawno napełniona	Ponownie sprawdzić temperaturę po 5–6 godzinach.
	Drzwi lodówki nie zamykają się szczelnie	Sprawdzić odległości (rys. 5, strona 7). Autoryzowane centrum serwisowe: Wymienić uszczelkę drzwi

Usterka	Możliwa przyczyna	Rozwiązanie
Urządzenie nie chłodzi, oświetlenie wewnętrzne miga	<p>Przeciążenie lodówki</p> <hr/> <p>Drzwi nie są prawidłowo zamknięte.</p> <hr/> <p>Brak odpowiedniego obiegu powietrza wokół agregatu chłodniczego</p> <hr/> <p>Lodówka nie stoi w pozycji poziomej</p>	<p>▶ Odłączyć urządzenie od zasilania na co najmniej 10 sekund.</p> <p>▶ Podłączyć urządzenie.</p> <p>Spowoduje to zresetowanie układu elektronicznego, a urządzenie powinno powrócić do normalnej pracy.</p> <p>Jeśli oświetlenie LED zacznie ponownie migać, oznacza to, że wystąpiła poważna usterka:</p> <p>▶ Skontaktować się z autoryzowanym centrum serwisowym.</p>

10 Gwarancja

Obowiązuje ustawowy okres gwarancji. W przypadku stwierdzenia uszkodzenia produktu należy zgłosić się do jego sprzedawcy lub oddziału producenta w danym kraju (patrz dometic.com/dealer).

W celu naprawy lub rozpatrzenia gwarancji konieczne jest przesłanie następujących dokumentów:

- Kopii rachunku z datą zakupu
- Informacji o przyczynie reklamacji lub opisu wady


11 Utylizacja

- ▶ Opakowanie należy wyrzucić do odpowiedniego pojemnika na śmieci do recyklingu.



Jeżeli produkt nie będzie dłużej eksploatowany, koniecznie dowiedz się w najbliższym zakładzie recyklingu lub w specjalistycznym sklepie, jakie są aktualnie obowiązujące przepisy dotyczące utylizacji.

12 Dane techniczne

	DS200	DS300	DS400	DS600
Napięcie wejściowe:	220 – 240 V			
Znamionowa moc wejściowa:	65 W			
Pojemność całkowita:	23 l	28 l	34 l	45 l
Klasa efektywności energetycznej:	D			
Zużycie energii:				
– FS:	0,793 kWh/ 24 h	0,801 kWh/ 24 h	0,807 kWh/ 24 h	0,821 kWh/ 24 h
– BI:	0,809 kWh/ 24 h	0,817 kWh/ 24 h	0,823 kWh/ 24 h	0,836 kWh/ 24 h
Klasa klimatyczna:	N		SN	
Temperatura otoczenia podczas eksploatacji:	+10 °C do +32 °C			
Emisja hałasu:	0 dB(A)			
Środek napędowy:	cyklopentan			
Czynnik chłodniczy:	amoniak			
Wymiary (wys. x szer. x gł.):	rys. 19 , strona 12	rys. 20 , strona 13	rys. 21 , strona 14	rys. 22 , strona 15
Masa:	14 kg	15 kg	17 kg	20 kg
Kontrola/certyfikat:				

Deklarację zgodności urządzenia można znaleźć na stronie produktu pod adresem: dometic.com lub skontaktować się bezpośrednio z producentem (patrz dometic.com/dealer).

Dalsze informacje na temat produktu można uzyskać za pośrednictwem przedstawionego na rysunku, umieszczonego na etykiecie energetycznej kodu QR lub na stronie eprel.ec.europa.eu.

Dôkladne si prečítajte tento návod a dodržiavajte všetky pokyny, usmernenia a varovania uvedené v tomto návode k výrobku, aby bolo zaručené, že výrobok bude vždy správne nainštalovaný, používaný a udržiavaný. Tento návod MUSÍ zostať priložený k výrobku.

Používaním tohto výrobku týmto potvrdzujete, že ste si dôkladne prečítali všetky pokyny, usmernenia a varovania a že rozumiete a súhlasíte s dodržiavaním všetkých uvedených podmienok. Súhlasíte, že tento výrobok budete používať iba v súlade s určeným použitím a v súlade s pokynmi, usmerneniami a varovania uvedenými v tomto návode k výrobku, ako aj v súlade so všetkými platnými zákonmi a nariadeniami. V prípade, že si neprečítate a nebudete sa riadiť pokynmi a varovaniami uvedenými v tomto návode, môže mať za následok vaše poranenie alebo poranenie iných osôb, poškodenie vášho výrobku alebo poškodenie majetku v jeho blízkosti. Tento návod na obsluhu výrobku vrátane pokynov, usmernení a varovaní, a súvisiaca dokumentácia môže podliehať zmenám a aktualizáciám. Najaktuálnejšie informácie o výrobku nájdete na adrese documents.dometic.com, dometic.com.

Obsah

1	Vysvetlenie symbolov	218
2	Bezpečnostné pokyny	219
3	Rozsah dodávky	222
4	Používanie v súlade s určením	222
5	Technický opis	223
6	Inštalácia a pripojenie mini chladničky	224
7	Používanie mini chladničky	227
8	Čistenie a údržba	229
9	Odstraňovanie porúch	230
10	Záruka	231
11	Likvidácia	231
12	Technické údaje	232

1 Vysvetlenie symbolov



NEBZPEČENSTVO!

Bezpečnostné upozornenie na nebezpečnú situáciu, ktorá vedie k usmrteniu alebo ťažkému poraneniu, ak sa jej nezabráni.



VÝSTRAHA!

Bezpečnostné upozornenie na nebezpečnú situáciu, ktorá môže viesť k usmrteniu alebo ťažkému poraneniu, ak sa jej nezabráni.

**UPOZORNENIE!**

Bezpečnostné upozornenie na nebezpečnú situáciu, ktorá môže viesť k ľahkému alebo stredne ťažkému usmrteniu alebo ťažkému poraneniu, ak sa jej nezabráni.

**POZOR!**

Upozornenie na situáciu, ktorá môže viesť k materiálnym škodám, ak sa jej nezabráni.

**POZNÁMKA**

Doplňujúce informácie týkajúce sa obsluhy produktu.

2 Bezpečnostné pokyny

2.1 Základy bezpečnosti



VÝSTRAHA! Nedodržanie týchto varovaní môže mať za následok smrť alebo vážne poranenie.

Nebezpečenstvo úrazu elektrickým prúdom

- Postarajte sa, aby mini chladničku nainštaloval kvalifikovaný technik podľa návodu na montáž firmy Dometic.
- Ak mini chladnička vykazuje viditeľné poškodenia, nesmiete ju uviesť do prevádzky.
- Ak je pripájací kábel mini chladničky poškodený, musí jeho výmenu vykonať výrobca, servisný technik alebo podobne spôsobilá osoba, aby sa predišlo bezpečnostným rizikám.
- Opravy na tejto mini chladničke smú vykonávať len kvalifikovaní odborníci. Neodborné opravy predstavujú riziko vážnych nebezpečenstiev.

Nebezpečenstvo požiaru

- Chladiaci prostriedok v chladiacom okruhu je vysoko horľavý. V prípade poškodenia chladiaceho okruhu:
 - Vypnite mini chladničku.
 - Nepoužívajte otvorený oheň a zabráňte vzniku iskier.
 - Dobre vyvetrajte priestor.

Nebezpečenstvo výbuchu

- V mini chladničke neuskładňujte látky, pri ktorých hrozí nebezpečenstvo výbuchu, napr. sprejové nádoby s horľavým hnacím plynom.

Nebezpečenstvo ohrozenia zdravia

- Nikdy neotvárajte absorpčný agregát. Je pod vysokým tlakom a v prípade jeho otvorenia môže spôsobiť poranenia.
- Túto mini chladničku smú používať deti od 8 rokov a osoby so zníženými psychickými, zmyslovými alebo mentálnymi schopnosťami a vedomosťami, keď sú pod dozorom alebo keď boli poučené o bezpečnom používaní mini chladničky a chápu, aké riziká z toho vyplývajú.
- Deti sa nesmú hrať s mini chladničkou.
- Čistenie a bežnú údržbu nesmú vykonávať deti bez dozoru.
- Deti vo veku od 3 do 8 rokov smú nakladať a vykladať mini chladničku.



UPOZORNENIE! Nedodržanie týchto upozornení môže mať za následok drobné alebo stredne ťažké poranenie.

Nebezpečenstvo pomliaždenia

- Nesiahajte do závesu.

Nebezpečenstvo ohrozenia zdravia

- Potraviny sa smú uskladňovať len v originálnom obale alebo vhodných nádobách.

**POZOR! Nebezpečenstvo poškodenia**

- Porovnajete údaje o napätí na typovom štítku s existujúcim zdrojom napätia.
- Mini chladnička nie je vhodná na skladovanie žieravých látok alebo látok s obsahom rozpúšťadiel.
- Izolácia chladiaceho zariadenia obsahuje horľavý cyklopentán a vyžaduje si špeciálne postupy pri likvidácii. Po uplynutí jeho životnosti odovzdanie chladiace zariadenie na vhodnú recykláciu.
- Odtokový otvor vždy udržiavajte čistý.
- Chladiaci okruh v žiadnom prípade neotvárajte.
- Mini chladničku prenášajte iba vo zvislej polohe.

2.2 Bezpečná prevádzka mini chladničky



NEBZPEČENSTVO! Nedodržanie týchto varovaní bude mať za následok smrť alebo vážne poranenie.

Nebezpečenstvo úrazu elektrickým prúdom

- Nikdy sa nedotýkajte holými rukami obnažených vodičov.



UPOZORNENIE! Nedodržanie týchto upozornení môže mať za následok drobné alebo stredne ťažké poranenie.

Nebezpečenstvo úrazu elektrickým prúdom

- Pred uvedením mini chladničky do prevádzky dbajte na to, aby boli prívod a zástrčka suché.

Nebezpečenstvo ohrozenia zdravia

- Postarajte sa, aby sa v mini chladničke nachádzal len tovar, ktorý sa môže chlaďiť na zvolenú teplotu.
- Jedlo sa smie skladovať iba v pôvodnom balení alebo vo vhodných nádobách.
- Otvorenie dverí na dlhšiu dobu môže spôsobiť výrazné zvýšenie teploty v priehradkách mini chladničky.
- Pravidelne čistíte povrchy, ktoré môžu prísť do kontaktu s potravinami a prístupnými systémami na odvádzanie kondenzátu.
- Ak mini chladničku ponecháte prázdnu na dlhú dobu:
 - Vypnite mini chladničku.
 - Odmrazte mini chladničku.
 - Vyčistite mini chladničku a nechajte ju vyschnúť.
 - Nechajte dvierka otvorené, aby ste zabránili tvorbe plesní vnútri mini chladničky.



POZOR! Nebezpečenstvo poškodenia

- Ťažké predmety, ako napr. fľaše alebo plechovky, ukladajte výlučne do dverí mini chladničky alebo na spodný nosný rošt.
- Nepoužívajte v mini chladničke žiadne elektrické zariadenia, okrem prípadu, keď výrobca odporúča používanie týchto zariadení takýmto spôsobom.
- Zariadenie neumiestňujte v blízkosti otvoreného ohňa alebo iných zdrojov tepla (kúrenie, priame slnečné žiarenie, plynové pece atď.).
- Uistite sa, že vetracie otvory nie sú prekryté.
- Mini chladničku nikdy neponárajte do vody.
- Chráňte mini chladničku a káble pred vysokými teplotami a vlhkosťou.

- Dbajte na to, aby sa potraviny nedotýkali stien chladiaceho priestoru.

3 Rozsah dodávky

Počet	Opis
1	Mini chladnička
1	Návod na montáž a obsluhu

4 Používanie v súlade s určením

Chladiaci spotrebič (označuje sa tiež ako mini chladnička) je určený na prevádzku v uzavretých budovách, ako napríklad:

- kuchynky pre personál v obchodoch, kanceláriách a iných pracovných priestoroch
- v poľnohospodárstve
- v hoteloch, motelloch a iných ubytovacích zariadeniach
- v zariadeniach typu Bed and Breakfast
- v kateringových firmách alebo podobných veľkoobchodných prevádzkach

Mini chladnička nie je vhodná na montáž do karavanov alebo obytných vozidiel.

Táto mini chladnička je určená na použitie buď ako spotrebič na zabudovanie alebo ako voľne stojaci chladiaci spotrebič. Pozrite si návod na montáž.

Mini chladnička je navrhnutá výlučne na chladenie a skladovanie nápojov a potravín v uzavretých nádobách, a čerstvých potravín.

Mini chladnička nie je vhodná na skladovanie liekov alebo mrazenie potravín.

Táto mini chladnička je vhodná iba na použitie na určený účel a použitie v súlade s týmto návodom.

Tento návod obsahuje informácie, ktoré sú nevyhnutné pre správnu inštaláciu a/alebo obsluhu mini chladničky. Chybná inštalácia a/alebo nesprávna obsluha či údržba bude mať za následok neuspokojivý výkon a možnú poruchu.

Výrobca nenesie žiadnu zodpovednosť za akékoľvek poranenia či škody na výrobku spôsobené:

- nesprávnou montážou alebo pripojením vrátane nadmerného napätia

- nesprávnou údržbou alebo použitím iných ako originálnych náhradných dielov poskytnutých výrobcom
- Zmeny produktu bez výslovného povolenia výrobcu
- Použitie na iné účely než na účely opísané v návode

Firma Dometic si vyhradzuje právo na zmenu vzhľadu a technických parametrov výrobku.

5 Technický opis

Zariadenie je mini chladnička s absorpčným chladením. Ako chladivo sa používa amoniak. Všetky použité materiály sú vhodné na to, aby prichádzali do styku s potravinami. Chladiaci okruh si nevyžaduje údržbu.

Mini chladnička je dostupná ako voľne stojaca verzia (**FS**) a ako verzia na zabudovanie (**BI**).

Voľne stojaca verzia je určená na voľne postavenie. Kryt chladiaceho agregátu chráni horúce časti chladiaceho agregátu. Nožný rám s vetracími otvormi zabezpečuje dostatočné vetranie. Demontážou nožného rámu a krytu chladiaceho agregátu je mini chladničku možné použiť ako verziu na zabudovanie.

Verzia na zabudovanie je určená na montáž do nábytku. Nedisponuje nožným rámom alebo krytom chladiaceho agregátu.

Teplota sa nastavuje na termostatickej regulácii vo vnútri mini chladničky.

Elektronika kontroluje funkciu mini chladničky po každej fáze odmrazovania meraním poklesu teploty výparníka. Ak deteguje problém, vypne mini chladničku a vnútorné osvetlenie nepretržite bliká.

Mini chladnička je vybavená funkciou automatického odmrazovania. Každá fáza odmrazovania trvá 2 hodiny. 39 hodín po zapnutí chladiaceho zariadenia začne prvá fáza odmrazovania. Potom sa fáza odmrazovania vykonáva každých 22 hodín.

Rozmrazená voda preteká cez odtokovú rúrku z odkvapového kanála do nádoby výparníka, ktoré je umiestnená dole na zadnej strane mini chladničky. Rozmrazená voda sa automaticky odparí do cirkulujúceho vzduchu, takže nádobu nie je potrebné vyprázdňovať.

Dva dverové snímače kontrolujú, či sú dvere otvorené.

5.1 Súčasti

Rôzne typy mini chladničiek sú zobrazené na nasledovných obrázkoch:

- DS200: obr. **1**, strane 3
- DS300: obr. **2**, strane 4
- DS400: obr. **3**, strane 5
- DS600: obr. **4**, strane 6

Č.	Vysvetlenie
1	Termostat
2	Osvetlenie vnútorného priestoru
3	Kryt chladiaceho agregátu (iba vo voľne stojacich modeloch)
4	Výparník
5	Klapka
6	Dverový zámok (voliteľné)
7	Snímač vzduchu
8	Nožný rám (iba vo voľne stojacich modeloch)
9	Polica
10	Senzor výparníka
11	Dverový snímač
12	Dverové vložky

6 Inštalácia a pripojenie mini chladničky

6.1 Pokyny pre inštaláciu mini chladničky

Pri inštalácii mini chladničky dodržujte nasledujúce pokyny:

- Mini chladničku nainštalujte tak, aby sa zohriaty vzduch mohol dobre odvádzať (buď smerom hore alebo do strán, obr. **5**, strane 7).

Č.
na obr. 5, Vysvetlenie
strane 7

1	Studený privádzaný vzduch
2	Zohriaty odpadový vzduch
3	Voľný priestor nad mini chladničkou, ak odpadový vzduch nemôže dostatočne prúdiť nahor alebo do strany

- Dodržujte nasledujúce montážne rozmery:
 - DS200: obr. 19, strane 12
 - DS300: obr. 20, strane 13
 - DS400: obr. 21, strane 14
 - DS600: obr. 22, strane 15
- Otvory (vetracie otvory atď.) v kryte alebo na miestach zabudovania udržiavajte voľné, bez akýchkoľvek predmetov.

6.2 Inštalácia voľne stojacej verzie

Pri postavení mini chladničky vo voľnej stojacej polohe dodržujte nasledujúce pokyny:

- Ubezpečte sa, že kryt na ochranu horúcich komponentov chladiaceho agregátu je nasadený.
- Ubezpečte sa, že podlahový rám na zabezpečenie vhodnej cirkulácie vzduchu je na svojom mieste.
- Postavte mini chladničku na rovný podklad. Na kontrolu vodorovnej polohy použite vodováhu.

6.3 Inštalácia verzie na zabudovanie



UPOZORNENIE! Ohrozenie zdravia

Zariadenie musí byť upevnené podľa opisu v návode, aby sa zabránilo ohrozeniu následkom jeho nestability/uvolnenia.

Ak si želáte nainštalovať mini chladničku do skrinky, postupujte podľa nasledujúcich informácií:

- Postavte mini chladničku na rovný podklad. Na kontrolu vodorovnej polohy použite vodováhu.
- Dodržte vzdialenosť 20 mm od stien.

- Vzduch musí cirkulovať bez akéhokoľvek obmedzenia (obr. **5**, strane 7).
- Celý chladiaci agregát musí zasahovať do vetracieho potrubia.
- Vzduch vo vetracom potrubí nesmie byť zohrievaný inými zdrojmi tepla.
- Vetracia mriežka musí mať prierez minimálne 200 cm².

Pri inštalácii mini chladničky postupujte nasledovne (obr. **6**, strane 8):

- ▶ Postavte mini chladničku a priskrutkujte nožičky zariadenia.

6.4 Montáž rukoväti dverí (voliteľné)

- ▶ Pri montáži rukoväti dverí postupujte podľa obrázku (obr. **7**, strane 8).
- ▶ Pri demontáži rukoväti dverí postupujte podľa obrázku (obr. **8**, strane 8).

6.5 Zmena dorazu dverí



VÝSTRAHA! Nebezpečenstvo úrazu elektrickým prúdom

Pred vykonaním akýchkoľvek prác na mini chladničke odpojte elektrickú zástrčku.



POZOR! Riziko poškodenia!

Mini chladnička môže ležať na boku iba krátko.

Doraz dverí môžete zmeniť tak, aby sa dvere otvárali namiesto doprava smerom doľava.

- ▶ Pri výmene dorazu dverí postupujte podľa obrázkov:
 - **Vol'ne stojaca verzia:** obr. **9**, strane 9 až obr. **13**, strane 10
 - **Verzia na zabudovanie:** obr. **10**, strane 9 až obr. **12**, strane 9

6.6 Výmena dekoru dverí



POZOR! Nebezpečenstvo poškodenia

Mini chladnička môže ležať na boku iba krátko.

Dekor dverí má nasledujúce rozmery:

Model	Šírka	Výška	Hrúbka
DS200	383 + 0,5 mm	310 + 0,5 mm	2 mm
DS300	383 + 0,5 mm	395 + 0,5 mm	
DS400	383 + 0,5 mm	395 + 0,5 mm	
DS600	449 + 0,5 mm	408 + 0,5 mm	

- V prípade potreby demontujte rukoväť dverí (kap. „Montáž rukoväti dverí (voliteľné)“ na strane 226).
- V prípade potreby odstráňte poistný krúžok zámku dverí.
- Pri demontáži dekoru dverí postupujte podľa obrázku (obr. 14, strane 10).
- Pri montáži dekoru dverí postupujte podľa obrázku (obr. 15, strane 10).

7 Používanie mini chladničky



POZOR! Nebezpečenstvo poškodenia

- Dbajte na to, aby sa nápoje alebo jedlá v sklenených nádobách neschladili príliš silno. Pri zmrazení nápoje alebo tekuté jedlá zväčšia svoj objem. Sklenené nádoby sa tak môžu zničiť.
- Postarajte sa, aby sa v mini chladničke nachádzal len tovar, ktorý sa môže chladiť na zvolenú teplotu.

7.1 Pred prvým použitím

Skôr, ako novú mini chladničku uvediete do prevádzky, z hygienických dôvodov by ste ju mali zvnútra a zvonku poutierať vlhkou handrou (pozri aj kap. „Čistenie a údržba“ na strane 229).

7.2 Úspora energie

- Mini chladničku otvárajte iba tak často a na takú dobu, ako je nevyhnutné.
- Teplé jedlá nechajte pred vložením do spotrebiča najprv vychladnúť.
- Nenastavujte zbytočne nízku teplotu.
- Pre optimálnu spotrebu energie umiestnite police a zásuvky podľa ich umiestnenia pri dodaní.
- Pravidelne kontrolujte, či tesnenie dverí stále pevne drží.

- Kondenzátor v pravidelných intervaloch očistíte od prachu a nečistôt.

7.3 Umiestnenie políc

DS200, DS300

Postupujte podľa obrázka (obr. **16**, strane 11).

DS400, DS600

Postupujte podľa obrázka (obr. **17**, strane 11).

7.4 Zapnutie

- ▶ Pripojte zástrčku do zásuvky.
- ✓ Mini chladnička spustí autotest.
- ✓ LED najprv niekoľkokrát zabliká a potom nepretržite svieti.
- ✓ Mini chladnička je zapnutá.



POZNÁMKA

Po zapnutí potrebuje mini chladnička niekoľko hodín na dosiahnutie teploty chladenia v priehradke mini chladničky.

7.5 Nastavenie teploty

Dodržte nasledujúce body, aby ste predišli plytvaniu potravinami:

- Zabráňte kolísaniu teploty v čo najväčšej možnej miere. Chladničku otvárajte iba tak často a na takú dobu, ako je nevyhnutné. Skladujte potraviny tak, aby vzduch stále mohol dobre cirkulovať.
- Prispôbte teplotu množstvu a druhu potravín.
- Skladujte rôzne druhy potravín, ako je znázornené na obrázkoch.
- Potraviny dokážu ľahko absorbovať alebo uvoľňovať pachy či chute. Potraviny vždy skladujte zakryté alebo v uzavretých nádobách/fľašiach.
- ▶ Nastavte termostatickú reguláciu (obr. **18**, strane 12) do prostrednej polohy. V závislosti od naplnenia a podmienok inštalácie môže byť potrebná iná poloha. Otáčaním regulátora smerom k veľkému symbolu sa zintenzívňuje chladenie; otáčaním k menšiemu symbolu sa intenzita chladenia znižuje.

7.6 Vypnutie a skladovanie

Ak mini chladničku plánujete nepoužívať dlhšiu dobu, postupujte nasledovne:

- ▶ Vytiahnite zástrčku zo zásuvky.
- ▶ Vyčistíte mini chladničku (pozri kap. „Čistenie a údržba“ na strane 229).
- ▶ Nechajte dvere otvorené, aby ste predišli tvorbe zápachu.

7.7 Výmena LED



POZOR! Nebezpečenstvo poškodenia

Kontrolku smie vymeniť len výrobca, servisný technik alebo osoba s podobnou kvalifikáciou, aby sa zabránilo nebezpečenstvu.

8 Čistenie a údržba



VÝSTRAHA! Nebezpečenstvo ohrozenia života zásahom elektrického prúdu

Pred každým čistením a ošetrovaním odpojte chladničku od siete.



POZOR! Nebezpečenstvo poškodenia

- Na čistenie nepoužívajte ostré čistiace prostriedky alebo tvrdé predmety, pretože by mohli chladničku poškodiť.
- Na odstránenie vrstvy námrazy alebo uvoľnenie primrazených predmetov nepoužívajte tvrdé alebo špicaté nástroje.
- Nepoužívajte žiadne mechanické ani iné pomôcky, aby ste urýchlili proces odmrazovania.

- ▶ Chladničku čistite pravidelne a hneď, ako je znečistená, vlhkou handričkou.
- ▶ Dbajte na to, aby do tesnenia nakvapkala voda. Mohlo by to poškodiť elektroniku.
- ▶ Po vyčistení utrite chladničku handričkou dosucha.
- ▶ Pravidelne kontrolujte odtok kondenzovanej vody.

V prípade potreby vyčistíte odtok kondenzovanej vody. Pokiaľ je upchatý, kondenzovaná voda sa nahromadí na dne chladničky.

9 Odstraňovanie porúch

Porucha	Možná príčina	Riešenie
Žiadne chladenie, absorpčný agregát studený	Zástrčka nie je zapojená	Zapojte zástrčku do zásuvky.
	Zásuvka nevedie napätie	Skontrolujte bytovú poistku.
	Elektronika alebo snímače sú nefunkčné	Autorizovaný servisný technik: Inštalácia novej elektroniky alebo snímačov.
	Nefunkčná ohrevná patróna	Autorizovaný servisný technik: Inštalácia novej ohrevnej patróny.
Žiadne chladenie, absorpčný agregát teplý	Fáza odmrazovania aktívna	Nevyžaduje sa žiadny krok
	Chladnička nie je vo vodorovnej polohe	Vyrovnajzte chladničku do vodorovnej polohy.
	Chladnička bola zapnutá nedávno	Chladenie znovu skontrolujte po 5 až 6 hodinách.
	Chladiaci agregát je nefunkčný	Autorizovaný servisný technik: Vymeňte chladničku.
Slabý chladiaci výkon	Chladnička je vystavená priamemu slnečnému žiareniu	Nevystavujte chladničku priamemu slnečnému žiareniu.
	Dvere chladničky pri zatvorení riadne netesnia	Skontrolujte vzdialenosti (obr. 5, strane 7). Autorizovaný servisný technik: Výmena tesnenia dverí.
	Chladnička bola nedávno naplnená	Chladenie znovu skontrolujte po 5 až 6 hodinách.
Tvorba námrazy v priehradke chladničky	Dvere chladničky pri zatvorení riadne netesnia	Skontrolujte vzdialenosti (obr. 5, strane 7). Autorizovaný servisný technik: Výmena tesnenia dverí

Porucha	Možná príčina	Riešenie
Žiadne chladenie, vnútorné osvetlenie bliká	Chladnička je preťažená	► Odpojte zariadenie od napájania aspoň na 10 s.
	Dvere nie sú správne zatvorené	► Pripojte zariadenie
	Nedostatočná cirkulácia vzduchu pre chladiaci agregát	Týmto sa resetuje elektronika a obnoví sa normálna prevádzka zariadenia.
	Chladnička nie je vo vodorovnej polohe	Ak LED-ky začnú znovu blikáť, došlo k závažnej poruche: ► Kontaktujte autorizovaný servis.

10 Záruka

Platí zákonom stanovená záručná lehota. Ak je výrobok poškodený, obráťte sa na svojho predajcu alebo pobočku výrobcu vo svojej krajine (pozri dometic.com/dealer).

Ak žiadate o vybavenie opravy alebo nárokov vyplývajúcich zo záruky, musíte priložiť nasledovné podklady:

- kópiu faktúry s dátumom kúpy,
- dôvod reklamácie alebo opis chyby.


11 Likvidácia

- Obalový materiál podľa možnosti odovzdajte do príslušného odpadu na recykláciu.



Keď výrobok definitívne vyradíte z prevádzky, informujte sa v najbližšom recyklačnom stredisku alebo u vášho špecializovaného predajcu o príslušných predpisoch týkajúcich sa likvidácie.

12 Technické údaje

	DS200	DS300	DS400	DS600
Vstupné napätie:	220 – 240 V			
Menovitý príkon:	65 W			
Celkový objem:	23 l	28 l	34 l	45 l
Trieda energetickej účinnosti:	D			
Spotreba:				
– FS:	0,793 kWh/ 24 h	0,801 kWh/ 24 h	0,807 kWh/ 24 h	0,821 kWh/ 24 h
– BI:	0,809 kWh/ 24 h	0,817 kWh/ 24 h	0,823 kWh/ 24 h	0,836 kWh/ 24 h
Klimatická trieda:	N		SN	
Použitie pri určenej teplote okolia:	+10 °C až +32 °C			
Emisie hluku:	0 dB(A)			
Izolačný plyn:	Cyklopentán			
Chladiaci prostriedok:	Amoniak			
Rozmery V × Š × H:	obr. 19 , strane 12	obr. 20 , strane 13	obr. 21 , strane 14	obr. 22 , strane 15
Hmotnosť:	14 kg	15 kg	17 kg	20 kg
Skúška/certifikát:				

Aktuálne vyhlásenie ES o zhode pre Vaše zariadenie nájdete na stránke príslušného výrobku na internetovej stránke dometic.com alebo sa obráťte priamo na výrobcu (pozri dometic.com/dealer).

Ďalšie informácie o výrobku získate prostredníctvom QR kódu na energetickom štítku na obrázkoch alebo na stránke eprel.ec.europa.eu.

Pečlivě si prosím přečtěte a dodržujte všechny pokyny, směrnice a varování obsažené v tomto návodu k výrobku, abyste měli jistotu, že výrobek budete vždy správně instalovat, používat a udržovat. Tyto pokyny MUSÍ být uchovávány v blízkosti výrobku.

Používáním výrobku tímto potvrzujete, že jste si pečlivě přečetli všechny pokyny, směrnice a varování a že rozumíte podmínkám uvedeným v tomto dokumentu a souhlasíte s nimi. Souhlasíte s používáním tohoto výrobku pouze k určenému účelu a použití a v souladu s pokyny, směrnicemi a varováními uvedenými v tomto návodu k výrobku a v souladu se všemi příslušnými zákony a předpisy. Pokud si nepřečtete a nebudete dodržovat zde uvedené pokyny a varování, může to vést ke zranění vás i ostatních, poškození vašeho výrobku nebo poškození jiného majetku v okolí. Tento návod k výrobku, včetně pokynů, směrnic a varování a související dokumentace může být předmětem změn a aktualizací. Aktuální informace o výrobku naleznete na stránkách documents.dometic.com, dometic.com.

Obsah

1	Vysvětlení symbolů	233
2	Bezpečnostní pokyny	234
3	Obsah dodávky	237
4	Použití v souladu s účelem	237
5	Technický popis	238
6	Instalace a připojení mini chladničky	239
7	Použití mini chladničky	242
8	Čištění a péče	244
9	Odstraňování poruch a závad	244
10	Odpovědnost za vady	245
11	Likvidace	246
12	Technické údaje	247

1 Vysvětlení symbolů



NEBEZPEČÍ!

Bezpečnostní upozornění na nebezpečnou situaci, která vede k úmrtí nebo těžkému poranění osob, pokud se jí nevyhnete.



VÝSTRAHA!

Bezpečnostní upozornění na nebezpečnou situaci, která může vést k úmrtí nebo těžkému poranění osob, pokud se jí nevyhnete.

**UPOZORNĚNÍ!**

Bezpečnostní upozornění na nebezpečnou situaci, která může vést k lehkému nebo středně těžkému poranění osob, pokud se jí nevyhnete.

**POZOR!**

Upozornění na situaci, která může vést k poškození majetku, pokud se jí nevyhnete.

**POZNÁMKA**

Doplňující informace týkající se obsluhy výrobku.

2 Bezpečnostní pokyny

2.1 Základní bezpečnost



VÝSTRAHA! Nedodržení těchto varování by mohlo mít za následek smrt nebo vážné zranění.

Nebezpečí usmrcení elektrickým proudem

- Ujistěte se, že mini chladnička byla instalována kvalifikovaným technikem v souladu s návodem k montáži Dometic.
- V případě, že je mini chladnička viditelně poškozená, nesmíte ji používat.
- Pokud je přívodní kabel mini chladničky poškozen, musí být vyměněn výrobcem, zástupcem servisu nebo odborníkem s podobnou kvalifikací tak, aby nevzniklo nebezpečí.
- Opravy této mini chladničky smějí provádět pouze kvalifikovaní pracovníci. Nesprávně provedené opravy mohou být zdrojem značných rizik.

Nebezpečí požáru

- Chladivo v chladicím okruhu je vysoce hořlavé.
Při poškození chladicího okruhu:
 - Vypněte mini chladničku.
 - Pozor na otevřený plamen a jiskření.
 - Dobře větrejte místnost.

Nebezpečí výbuchu

- Neskladujte v mini chladničce výbušné látky, jako např. spreje s hnacím plynem.

Nebezpečí ohrožení zdraví

- Nikdy neotevírejte absorpční agregát. Je pod vysokým tlakem a může v případě otevření způsobit zranění.
- Tuto mini chladničku mohou používat děti od 8 let a osoby se sníženými fyzickými, smyslovými nebo duševními schopnostmi nebo s nedostatečnými zkušenostmi a znalostmi, pokud jsou pod dohledem nebo obdržely pokyny týkající se používání přístroje bezpečným způsobem a porozuměly souvisejícím nebezpečím.
- Děti si s mini chladničkou nesmí hrát.
- Čištění a běžnou údržbu nesmějí provádět děti bez dozoru.
- Děti ve věku od 3 do 8 let mohou mini chladničku plnit a vyprazdňovat.

**UPOZORNĚNÍ! Nedodržení těchto upozornění by mohlo mít za následek lehké nebo střední zranění.****Riziko stlačení**

- Nesahejte do závěsu.

Nebezpečí ohrožení zdraví

- Skladujte potraviny pouze v originálním balení nebo ve vhodných nádobách.

**POZOR! Nebezpečí poškození**

- Porovnejte údaj o napětí na typovém štítku se stávajícím zdrojem napájení.
- Mini chladnička není vhodná ke skladování leptavých látek nebo látek obsahujících rozpouštědla.
- Izolace chladicího přístroje obsahuje hořlavý cyklopentan a vyžaduje speciální postupy likvidace. Chladicí přístroj odevzdejte na konci jeho životního cyklu do vhodného střediska pro recyklaci.
- Udržujte odtokový otvor vždy čistý.
- Nikdy neotevírejte chladicí okruh.
- Mini chladničku přenášejte pouze ve vzpřímené poloze.

2.2 Bezpečná obsluha mini chladničky



NEBEZPEČÍ! Nedodržení těchto varování bude mít za následek smrt nebo vážné zranění.

Nebezpečí usmrcení elektrickým proudem

- Nikdy se nedotýkejte odizolovaných vodičů.



UPOZORNĚNÍ! Nedodržení těchto upozornění by mohlo mít za následek lehké nebo střední zranění.

Nebezpečí usmrcení elektrickým proudem

- Před uvedením mini chladničky do provozu zkontrolujte, zda jsou přírodní kabel a zástrčka suché.

Nebezpečí ohrožení zdraví

- Dbejte, aby do mini chladničky byly vloženy pouze předměty nebo potraviny, které je dovoleno chladit na nastavenou teplotu.
- Skladujte potraviny pouze v originálním balení nebo ve vhodných nádobách.
- Otevření dvířek na delší dobu může způsobit značné zvýšení teploty v přihrádkách mini chladničky.
- Pravidelně čistěte povrchy, které se mohou dostat do kontaktu s potravinami a přístupnými odtokovými systémy.
- Je-li mini chladnička ponechána prázdná po dlouhou dobu:
 - Vypněte mini chladničku.
 - Odmrazte mini chladničku.
 - Vyčistěte a vysušte mini chladničku.
 - Nechejte dvířka otevřená, aby se zabránilo tvorbě plísně uvnitř mini chladničky.



POZOR! Nebezpečí poškození

- Těžké předměty, např. láhve nebo plechovky, uchovávejte výhradně ve dvířkách mini chladničky nebo na spodním nosném roštu.
- Uvnitř mini chladničky nepoužívejte žádné elektrické přístroje, pouze pokud jsou k tomu takové přístroje doporučeny výrobcem.
- Neinstalujte přístroj v blízkosti otevřeného plamene nebo jiných tepelných zdrojů (topení, přímé sluneční záření, plynová kamna apod.).
- Zkontrolujte, zda nejsou zakryty ventilační otvory.
- Mini chladničku nikdy neponořujte do vody.
- Mini chladničku a kabel chraňte před horkem a vlhkem.
- Pozor, aby se potraviny nedotýkaly stěn chladicího prostoru.

3 Obsah dodávky

Počet	Popis
1	Mini fridge
1	Návod k montáži a obsluze

4 Použití v souladu s účelem

Chladicí přístroj (dále také mini chladnička) je určen k provozu v uzavřených budovách, např.:

- V kuchyních pro zaměstnance v obchodech, kancelářích a jiných pracovištích
- V zemědělském odvětví
- V hotelech, motelech a jiných ubytovacích zařízeních
- V zařízeních nabízejících nocleh se snídaní
- Ve stravovacích a podobných nemaloobchodních zařízeních

Mini chladnička není vhodná k instalaci v karavanech nebo obytných vozidlech.

Mini chladnička slouží k použití pouze jako vestavěný spotřebič nebo jako samostatný chladicí přístroj. Viz pokyny k instalaci.

Mini chladnička je určena výhradně k chlazení a skladování nápojů a potravin v uzavřených nádobách.

Mini chladnička není vhodná k uchovávání léků nebo mražených potravin.

Tato mini chladnička je vhodná pouze k určenému účelu a použití v souladu s tímto návodem.

Tento návod poskytuje informace, které jsou nezbytné pro řádnou instalaci a/nebo provoz mini chladničky. Nedostatečná instalace a/nebo nesprávný provoz či údržba povedou k neuspokojivému výkonu a možné závadě.

Výrobce nepřijímá žádnou odpovědnost za jakékoli zranění nebo poškození výrobku vyplývající z následujícího:

- Nesprávné sestavení nebo připojení včetně nadměrného napětí
- Nesprávná údržba nebo použití jiných náhradních dílů než původních dílů dodaných výrobcem
- Změna výrobku bez výslovného souhlasu výrobce
- Použití k jiným účelům, než jsou popsány v tomto návodu

Společnost Dometic si vyhrazuje právo změnit vzhled a specifikace výrobku.

5 Technický popis

Přístroj je mini chladnička s absorpčním chlazením. Jako chladivo slouží čpavek. Veškeré použité materiály jsou neškodné pro potraviny. Chladicí okruh nevyžaduje žádnou údržbu.

Mini chladnička je k dispozici jako volně stojící verze (**FS**) a jako vestavná verze (**BI**).

Volně stojící verze je určena pro volně stojící použití. Kryt chladicí jednotky chrání teplé části chladicích jednotek. Rám patky s ventilačními otvory zajišťuje dostatečné větrání. Sejmutím rámu patky a krytu chladicí jednotky lze mini chladničku použít jako vestavnou verzi.

Vestavná verze je určena k montáži do nábytku. Neobsahuje rám patky ani kryt chladicí jednotky.

Teplota se nastavuje pomocí termostatického ovládacího prvku uvnitř mini chladničky.

Elektronika kontroluje funkci mini chladničky po každé fázi odmrazování měřením poklesu teploty výparníku. Pokud zaznamená problém, vypne mini chladničku a vnitřní osvětlení bude nepřetržitě blikat.

Mini chladnička je vybavena funkcí automatického odmrazování. Každá fáze odmrazování trvá 2 hodiny. 39 hodin po zapnutí chladicího přístroje se spustí první fáze odmrazování. Poté se jednou za 22 hodin provede fáze odmrazování.

Odtávající voda teče odtokovou trubkou z odtokového kanálu do nádoby výparníku v dolní zadní části mini chladničky. Odtávající voda se automaticky vypaří do cirkulujícího vzduchu a nádobu není nutné vyprazdňovat.

Dva snímače dvířek kontrolují, zda jsou dvířka otevřená.

5.1 Součásti

Různé typy mini chladniček jsou zobrazeny na následujících obrázcích:

- DS200: obr. **1**, strana 3
- DS300: obr. **2**, strana 4
- DS400: obr. **3**, strana 5
- DS600: obr. **4**, strana 6

Č.	Vysvětlení
1	Termostat
2	Vnitřní osvětlení
3	Kryt pro chladicí agregát (pouze u volně stojících modelů)
4	Výparník
5	Dvířka
6	Zámek dvířek (volitelně)
7	Snímač vzduchu
8	Rám patky (pouze u volně stojících modelů)
9	Police
10	Snímač výparníku
11	Snímač dvířek
12	Vložky dvířek

6 Instalace a připojení mini chladničky

6.1 Pokyny k instalaci mini chladničky

Dodržujte při instalaci mini chladničky následující pokyny:

- Instalujte mini chladničku tak, aby bylo možné dobře odvádět zahřátý vzduch (buď nahoru nebo do stran, obr. **5**, strana 7).

Č.
na obr. **5**, Vysvětlení
strana 7

1	Studený přiváděný vzduch
2	Zahřátý vzduch
3	Potřebné volné místo nad mini chladničkou, pokud nemůže zahřátý vzduch dostatečně proudit nahoru nebo do stran.

- Dodržujte následující montážní rozměry:
 - DS200: obr. **19**, strana 12
 - DS300: obr. **20**, strana 13
 - DS400: obr. **21**, strana 14
 - DS600: obr. **22**, strana 15
- Udržujte otvory (ventilační otvory atd.) na skříni chladničky nebo ve struktuře vnitřní instalace volné, nezastavěné.

6.2 Instalace volně stojící verze

Při nastavení mini chladničky ve volně stojící poloze dodržujte následující pokyny:

- Ujistěte se, že je přítomen kryt k ochraně horkých komponentů chladicího agregátu.
 - Ujistěte se, že je na místě podlahový rám pro zajištění přiměřené cirkulace vzduchu.
- Mini chladničku umístěte na rovný podklad. Ke kontrole použijte vodováhu.

6.3 Instalace vestavné verze



UPOZORNĚNÍ! Nebezpečí ohrožení zdraví

Aby se zabránilo nebezpečí v důsledku nestability přístroje, je nutné jej upevnit v souladu s pokyny.

Chcete-li mini chladničku instalovat do skříňky, řiďte se následujícími pokyny:

- Mini chladničku umístěte na rovný podklad. Ke kontrole použijte vodováhu.
- Dodržte odstup 20 mm od stěn.
- Nic nesmí bránit cirkulaci vzduchu (obr. **5**, strana 7).
- Do větracího kanálu musí vyčnívat celá chladicí jednotka.
- Vzduch ve větracím kanálu nesmí být ohříván jinými zdroji tepla.
- Větrací mřížka musí mít průřez nejméně 200 cm².

Při instalaci mini chladničky postupujte takto (obr. **6**, strana 8):

- Postavte mini chladničku a našroubujte patky přístroje.

6.4 Montáž rukojeti dvířek (volitelně)

- Při montáži rukojeti dvířek postupujte podle obrázku (obr. **7**, strana 8).
- Při demontáži rukojeti dvířek postupujte podle obrázku (obr. **8**, strana 8).

6.5 Změna směru otevírání dvířek



VÝSTRAHA! Nebezpečí usmrcení elektrickým proudem

Před prováděním práce na mini chladničce odpojte napájecí zástrčku.



POZOR! Nebezpečí poškození!

Mini chladnička může pouze krátce ležet na boku.

Můžete změnit směr otevírání dvířek. To znamená, že se dvířka nebudou otevírat doprava, ale doleva.

- ▶ Změnu směru otevírání dvířek provedete takto:
 - **Volně stojící verze:** obr. **9**, strana 9 až obr. **13**, strana 10
 - **Vestavná verze:** obr. **10**, strana 9 až obr. **12**, strana 9

6.6 výměně dekoru dvířek,



POZOR! Nebezpečí poškození

Mini chladnička může pouze krátce ležet na boku.

Dekor dvířek má následující rozměry:

Model	Šířka	Výška	Tloušťka
DS200	383 ±0,5 mm	310 ±0,5 mm	2 mm
DS300	383 ±0,5 mm	395 ±0,5 mm	
DS400	383 ±0,5 mm	395 ±0,5 mm	
DS600	449 ±0,5 mm	408 ±0,5 mm	

- ▶ Podle potřeby odmontujte rukojeť dvířek (kap. „Montáž rukojeti dvířek (volitelně)” na straně 240).
- ▶ V případě potřeby odstraňte pojistný kroužek zámku dvířek.
- ▶ Při odstranění dekorativní desky postupujte podle obrázku (obr. **14**, strana 10).
- ▶ Při montáži dekorativní desky postupujte podle obrázku (obr. **15**, strana 10).

7 Použití mini chladničky



POZOR! Nebezpečí poškození

- Nechladte nápoje nebo pokrmy ve skleněných nádobách na příliš nízkou teplotu. Při zmrazení zvětšují nápoje nebo tekuté potraviny svůj objem. Následkem může být poškození nebo zničení skleněných nádob.
- Dbejte, aby do mini chladničky byly vloženy pouze předměty nebo potraviny, které je dovoleno chladit na nastavenou teplotu.

7.1 Před prvním použitím

Dříve než uvedete novou mini chladničku do provozu, musíte ji z hygienických důvodů očistit vlhkou utěrkou zevnitř i zvenčí (viz též kap. „Čištění a péče“ na straně 244).

7.2 Úspora energie

- Mini chladničku otevírejte pouze na nezbytně nutnou dobu.
- Teplé pokrmy nechejte před uložením do přístroje vychladnout.
- Zabráňte vzniku zbytečně nízkých vnitřních teplot.
- Pro optimální spotřebu elektrické energie umístěte police a zásuvky podle jejich polohy při dodání.
- Pravidelně ověřujte, že těsnění dvířek stále řádně sedí.
- Pravidelně čistěte kondenzátor od nečistot a prachu.

7.3 Umístění polic

DS200, DS300

Postupujte podle obrázku (obr. **16**, strana 11).

DS400, DS600

Postupujte podle obrázku (obr. **17**, strana 11).

7.4 Zapnutí

- ▶ Zapojte přívodní kabel do zásuvky.
- ▶ Mini chladnička spustí autotest.

- ▶ LED zpočátku několikrát zabliká a poté svítí trvale.
- ▶ Mini chladnička je zapnutá.

**POZNÁMKA**

Po zapnutí trvá mini chladnička několik hodin, než dosáhne teploty chlazení ve vnitřním prostoru.

7.5 Nastavení teploty

Abyste zabránili odpadu z potravin, dbejte následujícího:

- Udržujte výkyvy teploty co nejnižší. Chladničku otevírejte pouze na nezbytně nutnou dobu. Potraviny skladujte takovým způsobem, aby vzduch mohl stále dobře cirkulovat.
- Teplotu nastavte podle množství a typu potravin.
- Různé druhy potravin uložte podle obrázků.
- Potraviny mohou snadno pohlcovat nebo uvolňovat zápach nebo vůni. Potraviny vždy uchovávejte zakryté nebo v uzavřených nádobách/lahvích.
- ▶ Nastavte termostatický ovládací prvek (obr. **13**, strana 12) do středové polohy. V závislosti na podmínkách plnění a instalace může být nutná odlišná poloha. Otočením ovládacího prvku směrem k velkému symbolu se intenzita chlazení zvyšuje a otočením směrem k menšímu symbolu se snižuje.

7.6 Vypnutí a uskladnění

Pokud hodláte mini chladničku delší dobu nepoužívat, postupujte takto:

- ▶ Vytáhněte zástrčku ze zásuvky.
- ▶ Mini chladničku vyčistěte (viz kap. „Čištění a péče“ na straně 244).
- ▶ Nechejte dvířka otevřená, aby se zabránilo tvorbě zápachu.

7.7 Výměna LED

**POZOR! Nebezpečí poškození**

Osvětlení může vyměnit pouze výrobce, zástupce servisu nebo podobně kvalifikovaná osoba, aby se zamezilo nebezpečí.

8 Čištění a péče



VÝSTRAHA! Ohrožení života elektrickým proudem

Před zahájením jakéhokoliv čištění nebo údržby odpojte chladničku od sítě.



POZOR! Nebezpečí poškození

- Nepoužívejte k čištění čisticí písky nebo tvrdé předměty, může dojít k poškození ledničky.
- Nepoužívejte k odstraňování ledu nebo k uvolňování přimrzlých předmětů tvrdé nebo špičaté nástroje.
- Nepoužívejte žádné mechanické nebo jiné nástroje k urychlení procesu rozmrazování.

- ▶ Ledničku čistěte vlhkou utěrkou pravidelně a pokud je znečištěná.
- ▶ Dbejte, aby do těsnění nevnikla voda. Mohlo by dojít k poškození elektroniky.
- ▶ Po vyčištění vytřete ledničku utěrkou dosucha.
- ▶ Pravidelně kontrolujte odtok vodního kondenzátu.

Podle potřeby vyčistěte odtok vodního kondenzátu. Pokud je ucpaný, hromadí se kondenzát na dně chladničky.

9 Odstraňování poruch a závad

Porucha	Možná příčina	Náprava
Přístroj nechladí, absorpční jednotka je chladná	Zástrčka není zapojena	Zasuňte zástrčku do zásuvky.
	Zásuvka není pod napětím	Zkontrolujte domovní jistič.
	Vadná elektronika nebo snímače	Autorizovaný zástupce servisu: Namontujte novou elektroniku nebo snímače.
	Vadná topná vložka	Autorizovaný zástupce servisu: Nainstalujte novou topnou vložku.
	Aktivní odmrazovací fáze	Není nutné žádné opatření

Porucha	Možná příčina	Náprava
Přístroj nechladí, absorpční jednotka je teplá	Chladnička není ve vodorovné poloze	Chladničku vyrovnejte pomocí vodováhy.
	Chladnička byla nedávno zapnuta	Zkontrolujte chlazení opět po 5 až 6 hodinách.
	Chladicí agregát je vadný	Autorizovaný zástupce servisu: Vyměňte chladničku.
Špatný chladicí výkon	Chladnička je vystavena přímému slunečnímu záření	Chladničku umístěte mimo dosah přímého slunečního záření.
	Dvířka chladničky při zavření netěsní	Zkontrolujte vůli (obr. 5, strana 7). Autorizovaný zástupce servisu: Vyměňte těsnění dvířek.
	Chladnička byla nedávno doplňovaná	Zkontrolujte chlazení opět po 5 až 6 hodinách.
Tvorba námrazy v prostoru chladničky	Dvířka při zavření netěsní	Zkontrolujte vůli (obr. 5, strana 7) Autorizovaný zástupce servisu: Vyměňte těsnění dvířek
Nechladí, vnitřní osvětlení bliká	Chladnička přetížená	<ul style="list-style-type: none"> ▶ Odpojte přístroj od elektrického napájení alespoň na 10 s. ▶ Připojte přístroj Tím se resetuje elektronika a přístroj by měl pokračovat v normálním provozu. Pokud LED opět začnou blikat, došlo k vážné chybě: <ul style="list-style-type: none"> ▶ Kontaktujte autorizované středisko oprav.
	Dvířka nejsou správně uzavřena.	
	Nedostatečná cirkulace vzduchu pro chladicí agregát	
	Chladnička není ve vodorovné poloze	

10 Odpovědnost za vady

Na výrobek je poskytována záruka v souladu s platnými zákony. Pokud je výrobek vadný, kontaktujte svého specializovaného prodejce nebo pobočku výrobce ve vaší zemi (viz dometic.com/dealer).

K vyřízení opravy nebo záruky nezapomeňte odeslat následující dokumenty:

- Kopii účtenky s datem zakoupení,
- Uvedení důvodu reklamace nebo popisu vady.


11 Likvidace

► Obalový materiál likvidujte v odpadu určeném k recyklaci.



Jakmile výrobek zcela vyřadíte z provozu, informujte se v příslušných recyklačních centrech nebo u specializovaného prodejce o příslušných předpisech o likvidaci odpadu.

12 Technické údaje

	DS200	DS300	DS400	DS600
Napájecí napětí:	220 – 240 V			
Jmenovitý vstupní výkon:	65 W			
Celkový objem:	23 l	28 l	34 l	45 l
Energetická třída účinnosti:	D			
Spotřeba elektrické energie:				
– FS:	0,793 kWh/ 24 h	0,801 kWh/ 24 h	0,807 kWh/ 24 h	0,821 kWh/ 24 h
– BI:	0,809 kWh/ 24 h	0,817 kWh/ 24 h	0,823 kWh/ 24 h	0,836 kWh/ 24 h
Klimatická třída:	N		SN	
Zamýšlená teplota okolního prostředí:	+10 °C až +32 °C			
Hlukové emise:	0 dB(A)			
Náplň:	Cyklopentan			
Chladicí médium:	Amoniak			
Rozměry V x Š x H:	obr. 19 , strana 12	obr. 20 , strana 13	obr. 21 , strana 14	obr. 22 , strana 15
Hmotnost:	14 kg	15 kg	17 kg	20 kg
Zkouška/certifikát:				

Aktuální prohlášení o shodě EU pro vaše zařízení naleznete na příslušné stránce produktu na dometic.com nebo kontaktujte přímo výrobce (viz dometic.com/dealer).

Další informace o výrobku jsou dostupné prostřednictvím QR kódu na energetickém štítku na obrázcích nebo na adrese eprel.ec.europa.eu.

A termék mindenkor szakszerű telepítése, használata és karbantartása érdekében kérjük figyelmesen olvassa el az ebben a termék kézikönyvben található utasításokat, irányelveket és figyelmeztetéseket, valamint mindig tartsa be ezeket. Ezt az útmutatót a termék közelében KELL tartani.

A termék használatba vételével Ön kijelenti hogy figyelmesen elolvasta az összes utasítást, irányelvet és figyelmeztetést, valamint megértette és elfogadja az itt leírt szerződési feltételeket. Ön elfogadja, hogy kizárólag a rendeltetésének megfelelő célra és a jelen termék kézikönyvben leírt útmutatásoknak, irányelveknek és figyelmeztetéseknek, valamint a hatályos törvényeknek és szabályozásoknak megfelelően használja ezt a terméket. Az itt leírt utasítások és figyelmeztetések elolasásának és betartásának elmulasztása saját és mások sérüléséhez, a termék vagy a közelben található más anyagi javak károsodásához vezethet. Ez a termék kézikönyv és a benne található utasítások, irányelvek és figyelmeztetések, valamint a kapcsolódó dokumentációk módosulhatnak és frissülhetnek. Naprakész termékinformációk érdekében kérjük látogasson el a következő honlapra: documents.dometic.com, dometic.com.

Tartalomjegyzék

1	A szimbólumok magyarázata	248
2	Biztonsági útmutatások	249
3	A csomag tartalma	252
4	Rendeltetésszerű használat	252
5	Műszaki leírás	253
6	A mini hűtő felállítása és csatlakoztatása	254
7	A mini hűtő használata	257
8	Tisztítás és karbantartás	259
9	Hibaelhárítás	260
10	Szavatosság	261
11	Ártalmatlanítás	261
12	Műszaki adatok	262

1 A szimbólumok magyarázata



VESZÉLY!

Biztonsági megjegyzés olyan veszélyes helyzetre vonatkozóan, amely halált vagy súlyos sérülést okoz, ha nem kerülik el.



FIGYELMEZTETÉS!

Biztonsági megjegyzés olyan veszélyes helyzetre vonatkozóan, amely halált vagy súlyos sérülést okozhat, ha nem kerülik el.

**VIGYÁZAT!**

Biztonsági megjegyzés olyan veszélyes helyzetre vonatkozóan, amely könnyű vagy közepesen súlyos sérülést okozhat, ha nem kerülnek el.

**FIGYELEM!**

Felhívás olyan helyzetre, amely dologi kárt okozhat, ha nem kerülnek el.

**MEGJEGYZÉS**

A termék kezelésére vonatkozó kiegészítő információk.

2 Biztonsági útmutatások

2.1 Alapvető biztonság



FIGYELMEZTETÉS! Ezeknek a figyelmeztetéseknek a figyelmen kívül hagyása súlyos sérüléshez vagy halálhoz vezethet.

Áramütés miatti veszély

- Gondoskodjon róla, hogy a mini hűtőt egy szakképzett technikus szerelje fel a Dometic telepítési kézikönyv alapján.
- Ne használja a mini hűtőt, ha az szemmel láthatóan megsérült.
- Ha a mini hűtő csatlakozókábele megsérült, akkor a veszélyek elkerülése érdekében a gyártóval, a szervizzel vagy egy hasonlóan képzett szakemberrel kell kicseréltetni ezt.
- Javításokat csak szakemberek végezhetnek a mini hűtőn. A szakszerűtlen javítások jelentős veszélyeket okozhatnak.

Tűzveszély

- A hűtőkörben található hűtőközeg gyúlékony.
A hűtőkör sérülése esetén:
 - Kapcsolja ki a mini hűtőt.
 - Kerülje a nyílt lángot és a gyújtószikrákat.
 - Szellőztesse ki jól a helyiséget.

Robbanásveszély

- Ne tároljon a mini hűtőben robbanásveszélyes anyagokat, például gyúlékony hajtógázt tartalmazó spray-palackokat.

Egészségkárosodás veszélye

- Az abszorpciós aggregátot tilos felnyitni. Nagy nyomás uralkodik benne és felnyitáskor sérüléseket okozhat.
- A mini hűtőt 8 év feletti gyermekek, valamint korlátozott fizikai, érzékelési és mentális képességű, illetve megfelelő tapasztalattal és tudással nem rendelkező személyek csak felügyelet mellett, illetve a hűtőkészülék biztonságos használatát és az abból eredő veszélyeket megértve használhatják.
- A mini hűtővel gyermekek nem játszhatnak.
- A tisztítást és a felhasználói karbantartást felügyelet nélküli gyermekek nem végezhetik.
- A mini hűtő ki- és berakodása 3 és 8 év közötti gyermekek számára engedélyezett.



VIGYÁZAT! Ezeknek a felhívásoknak a figyelmen kívül hagyása könnyű vagy mérsékelt sérüléshez vezethet.

Zúzódszély

- Ne nyúljon a zsanérok közé.

Egészségkárosodás veszélye

- Élelmiszert csak eredeti csomagolásban vagy megfelelő tárolókban szabad tárolni.

**FIGYELEM! Károsodás veszélye**

- Hasonlítsa össze a típustáblán szereplő feszültségadatokat a rendelkezésre álló energiaellátással.
- A mini hűtő nem alkalmas maró hatású vagy oldószert tartalmazó anyagok tárolására.
- A hűtőkészülék szigetelése gyúlékony ciklopentánt tartalmaz, amely speciális ártalmatlanítási eljárásokat igényel. Élettartama végén megfelelő hulladékkezelő központban adja le a hűtőkészüléket.
- Mindig tartsa tisztán a lefolyónyílást.
- Semmilyen esetben ne nyissa ki a hűtőkört.
- Kizárólag függőleges helyzetben mozgassa a mini hűtőt.

2.2 A mini hűtő biztonságos üzemeltetése



VESZÉLY! Ezeknek a figyelmeztetéseknek a figyelmen kívül hagyása súlyos vagy halálos sérüléshez vezet.

Áramütés miatti veszély

- Soha ne fogjon meg pusztá kézzel csupasz vezetékeket.



VIGYÁZAT! Ezeknek a felhívásoknak a figyelmen kívül hagyása könnyű vagy mérsékelt sérüléshez vezethet.

Áramütés miatti veszély

- A mini hűtő üzembe helyezése előtt ügyeljen arra, hogy a vezeték és a dugasz száraz legyen.

Egészségkárosodás veszélye

- Ügyeljen arra, hogy csak olyan tárgyak, illetve áruk legyenek a mini hűtőben, amelyek lehűthetők a kiválasztott hőmérsékletre.
- Élelmiszert csak eredeti csomagolásban vagy megfelelő tárolóedényekben szabad tárolni.
- Ha hosszabb időszakokra kinyitja az ajtót, azzal jelentősen megnövekedhet a hőmérséklet a mini hűtő rekeszeiben.
- Tisztítsa meg rendszeresen az élelmiszerral érintkező felületeket és a hozzáférhető lefolyórendszereket.
- Ha hosszú időre üresen hagyja a mini hűtőt:
 - Kapcsolja ki a mini hűtőt.
 - Olvassa le a mini hűtőt.
 - Tisztítsa meg a mini hűtőt és hagyja megszáradni.
 - A mini hűtő belsejében történő penészképződés elkerülése érdekében hagyja nyitva az ajtót.



FIGYELEM! Károsodás veszélye

- A nehéz tárgyakat, pl. palackokat, vagy dobozokat kizárólag a mini hűtő ajtajában, vagy az alsó rácson tárolja.
- Ne használjon elektromos készülékeket a mini hűtő belsejében, kivéve, ha ezeket az elektromos készülékeket a gyártó erre a célra javasolja.
- Ne helyezze a készüléket nyílt láng vagy más hőforrás közelébe (fűtés, erős napsugárzás, gáztűzhely stb.).
- Győződjön meg arról, hogy a szellőzőnyílások nincsenek lefedve.
- Soha ne merítse vízbe a mini hűtőt.
- Védje a mini hűtőt és a kábelt a hőtől és a nedvességtől.

- Ügyeljen arra, hogy az élelmiszerek ne érjenek hozzá a hűtőtér falaihoz.

3 A csomag tartalma

Mennyiség	Leírás
1	Mini hűtő
1	Szerelési és kezelési útmutató

4 Rendeltetészerű használat

A hűtőkészülék (más néven mini hűtő) zárt épületekben történő használatra való, ilyenek például:

- Üzletek, irodák és más munkaterületek személyzeti konyhái
- Mezőgazdasági szektor
- Hotelek, motelek és egyéb szállások
- Vendégfogadó létesítmények
- Catering vagy hasonló nagykereskedelmi vállalkozások

A mini hűtő lakóautókban vagy lakókocsikban való használatra nem alkalmas.

Ez a mini hűtő vagy beépített, vagy szabadon álló készülékként használható. Tájékozódjon a telepítési útmutatásokról.

A mini hűtő kizárólag zárt tárolóedényekben lévő ételek és italok, valamint friss élelmiszerek tárolására és hűtésére alkalmas.

A mini hűtő gyógyszerek tárolására, vagy élelmiszerek fagyasztására nem alkalmas.

Ez a mini hűtő az itt leírt utasításoknak megfelelő rendeltetészerű használatra alkalmas.

Ez a kézikönyv olyan információkat nyújt, amelyek a mini hűtő szakszerű telepítéséhez és/vagy üzemeltetéséhez szükségesek. A hibás telepítés és/vagy a szakszerűtlen üzemeltetés vagy karbantartás elégtelen teljesítményhez és potenciálisan meghibásodáshoz vezethet.

A gyártó nem vállal felelősséget a termék olyan károsodásáért, vagy sérülésekért, amelyek a következőkre vezethetők vissza:

- Hibás összeszerelés vagy csatlakoztatás, ideértve a túlfeszültséget is

- Helytelen karbantartás, vagy a gyártó által szállított eredeti cserealkatrészekről eltérő cserealkatrészek használata
- A termék kifejezett gyártói engedély nélküli módosítása
- Az útmutatóban leírt céloktól eltérő felhasználás

A Dometic fenntartja a termék megjelenésének és specifikációjának módosítására vonatkozó jogát.

5 Műszaki leírás

A készülék abszorpciós hűtéssel rendelkező mini hűtő. A benne használt hűtőközeg ammónia. Az összes felhasznált anyag élelmiszerekkel kompatibilis. A hűtőkör karbantartásmentes.

A mini hűtő szabadon álló (**FS**) és beépített (**BI**) változatban kapható.

A **szabadon álló változat** szabadon álló használatra alkalmas. A hűtőegység borítás védi a hűtőegységek meleg alkatrészeit. A szellőzőnyílásokkal rendelkező lábazati váz gondoskodik a megfelelő szellőzésről. A lábazati váz és a hűtőegység borítás eltávolításával a mini hűtő beépített változatként használható.

A **beépített változat** bútorba történő beépítésre való. Nem rendelkezik lábazati vázzal vagy hűtőegység borítással.

A hőmérsékletet a mini hűtő belsejében található vezérlő termosztáttal lehet beállítani.

Az elektronika a párologtató hőmérséklet csökkenésének mérésével minden leolvasztási fázis után ellenőrzi a mini hűtő működését. Ha problémát észlel, akkor leállítja a mini hűtőt és a belső világítás folyamatosan villog.

A mini hűtő automata leolvasztás funkcióval rendelkezik. Minden leolvasztási fázis 2 óráig tart. A készülék bekapcsolása után 39 órával elindul az első leolvasztási fázis. Ezt követően 22 óránként a készülék végrehajt egy leolvasztási fázist.

A leeresztő csatornából érkező leolvasztott víz átfolyik egy leeresztő csövön és a mini hűtő alján található párologtató edénybe kerül. A leolvadt víz magától elpárolog a keringő levegőbe, így nem szükséges kiüríteni az edényt.

Két ajtóérzékelő ellenőrzi, hogy az ajtó nyitva van-e.

5.1 Szerkezeti elemek

A különböző mini hűtő típusokat a következő ábrák szemléltetik:

- DS200: **1**. ábra, 3. oldal

- DS300: **2**. ábra, 4. oldal
- DS400: **3**. ábra, 5. oldal
- DS600: **4**. ábra, 6. oldal

Sz.	Magyarázat
1	Termosztát
2	Belső világítás
3	Hűtőegység burkolata (csak szabadon álló modelleknél)
4	Párologtató
5	Ajtó
6	Ajtózár (opcionális)
7	Levegőérzékelő
8	Lábazati váz (csak szabadon álló modelleknél)
9	Polc
10	Elpárologtató érzékelője
11	Ajtóérzékelő
12	Ajtóbetétek

6 A mini hűtő felállítása és csatlakoztatása

6.1 Útmutatások a mini hűtő felállításához

A mini hűtő felállítása során vegye figyelembe az alábbiakat:

- A mini hűtőt úgy állítsa fel, hogy a felmelegedett levegő megfelelően távozni tudjon (felfelé vagy oldalirányban, **5**. ábra, 7. oldal).

Sz. lásd:

**5. ábra, Magyarázat
7. oldal**

1	Hideglevegő-beáramlás
2	Felmelegített kiáramló levegő
3	Hézag a mini hűtő felett, ha a kiáramló levegő nem tud megfelelően felfelé, vagy oldalirányban távozni

- Vegye figyelembe a következő telepítési méreteket:
 - DS200: **19**. ábra, 12. oldal
 - DS300: **20**. ábra, 13. oldal
 - DS400: **21**. ábra, 14. oldal
 - DS600: **22**. ábra, 15. oldal
- Tartsa szabadon a készülékházban vagy a beépítőszerkezetben lévő nyílásokat (szellőzőrések stb.).

6.2 Szabadon álló változat felállítása

A mini hűtő szabadon álló pozícióban történő felállításakor vegye figyelembe a következőket:

- Biztosítsa, hogy fel legyen szerelve a hűtőegység forró komponenseit védő burkolat.
 - A megfelelő levegőkeringés érdekében biztosítsa, hogy a padlókeret a helyén legyen.
- A mini hűtőt sík aljzatra állítsa. Ennek ellenőrzéséhez használjon vízszintmérőt.

6.3 Beépíthető változat felállítása



VIGYÁZAT! Egészségkárosodás veszélye

A készülék instabilitása miatti kockázatok elkerülése érdekében az utasításoknak megfelelően rögzíteni kell azt.

A mini hűtő szekrénybe történő beépítéséhez vegye figyelembe a következő útmutatásokat:

- A mini hűtőt sík aljzatra állítsa. Ennek ellenőrzéséhez használjon vízszintmérőt.
- Tartson 20 mm távolságot a falaktól.
- A levegő akadálymentes kell hogy áramoljon (**5**. ábra, 7. oldal).
- A teljes hűtőegységnek bele kell nyúlnia a szellőzőcsatornába.
- A szellőzőcsatornában lévő levegőt más hőforrások nem melegíthetik fel.
- A szellőzőrács keresztmetszetének 200 cm²-nek kell lennie.

A mini hűtő felállításához a következő módon járjon el (**6**. ábra, 8. oldal):

- Állítsa fel a mini hűtőt és csavarozza rá a lábakat a készülékre.

6.4 Az ajtófogantyú felszerelése (opcionális)

- ▶ Az ajtófogantyú felszereléséhez az ábrán látható módon járjon el (7. ábra, 8. oldal).
- ▶ Az ajtófogantyú leszereléséhez az ábrán látható módon járjon el (8. ábra, 8. oldal).

6.5 Az ajtópánt módosítása



FIGYELMEZTETÉS! Áramütés miatti veszély

Mielőtt bármilyen munkát végezne a mini hűtőn, húzza ki az áramellátás dugaszát.



FIGYELEM! Károsodás veszélye!

A mini hűtő csak rövid ideig fekdühet az oldalán.

Az ajtó pántjának helyzetét módosítva az ajtó jobbos nyitódás helyett balra is nyithatóvá válik.

- ▶ Az ajtópánt cseréjéhez a következő módon járjon el:
 - **Szabadon álló változat:** 9. ábra, 9. oldal – 13. ábra, 10. oldal
 - **Beépített változat:** 10. ábra, 9. oldal – 12. ábra, 9. oldal

6.6 Az ajtódekor cseréje



FIGYELEM! Sérülésveszély

A mini hűtő csak rövid ideig fekdühet az oldalán.

Az ajtópanel mérete a következő:

Modell	Szélesség	Magasság	Vastagság
DS200	383 ± 0,5 mm	310 ± 0,5 mm	2 mm
DS300	383 ± 0,5 mm	395 ± 0,5 mm	
DS400	383 ± 0,5 mm	395 ± 0,5 mm	
DS600	449 ± 0,5 mm	408 ± 0,5 mm	

- ▶ Szükség esetén szerelje le az ajtókilincset („Az ajtófogantyú felszerelése (opcionális)” fej., 256. oldal).
- ▶ Szükség esetén távolítsa el az ajtózár tartógyűrűjét.

- ▶ A dekorlemez eltávolításához az ábrán látható módon járjon el (14. ábra, 10. oldal).
- ▶ A dekorlemez felszereléséhez az ábrán látható módon járjon el (15. ábra, 10. oldal).

7 A mini hűtő használata



FIGYELEM! Károsodás veszélye

- Ügyeljen arra, hogy üvegtárolókban levő italok vagy ételek ne hűljenek le túlzottan. Megfagyás esetén a folyadékok vagy folyékony ételek térfogata megnő. Ez az üveg edények törését okozhatja.
- Biztosítsa hogy csak olyan tárgyak, illetve áruk legyenek a mini hűtőben, amelyek lehűthetők a kiválasztott hőmérsékletre.

7.1 Az első használat előtt

Az új mini hűtőt az üzembe helyezés előtt – higiéniai okokból – tisztítsa meg nedves ruhával belül és kívül (lásd itt is: „Tisztítás és karbantartás” fejezet, 259. oldal).

7.2 Energiatakarékosság

- A mini hűtő ajtaját csak olyan gyakran és annyi ideig nyissa ki ahányszor és ameddig ez feltétlenül szükséges.
- Hagyja lehűlni a meleg ételeket, mielőtt azokat hűtés céljára a készülékbe helyezné.
- Kerülje a szükségtelenül alacsony hőmérsékleti beállításokat.
- Az optimális energiafogyasztás érdekében a polcokat és a fiókokat a kiszállítási helyzetükbe pozícionálja.
- Rendszeresen ellenőrizze, hogy az ajtó megfelelően illeszkedik-e.
- Rendszeres időközönként tisztítsa meg a kondenzátort a portól és szennyeződésektől.

7.3 A polcok elhelyezése

DS200, DS300

Az ábrán bemutatott módon járjon el (16. ábra, 11. oldal).

DS400, DS600

Az ábrán bemutatott módon járjon el (17. ábra, 11. oldal).

7.4 Bekapcsolás

- ▶ Illesze be a hálózati csatlakozódugaszt az aljzatba.
- ✓ A mini hűtő megkezdi az öntesztelést.
- ✓ Az elején a LED többször felvillan majd folyamatosan világít.
- ✓ Be van kapcsolva a mini hűtő.



MEGJEGYZÉS

A bekapcsolást követően a mini hűtőnek szüksége van pár órára a mini hűtő rekeszeiben a hűtési hőmérséklet eléréséhez.

7.5 A hőmérséklet beállítása

Az élelmiszerpazarlás elkerülése érdekében vegye figyelembe a következőket:

- Tartsa a lehető legalacsonyabb szinten a hőmérséklet ingadozását. A hűtőszekrény ajtaját csak olyan gyakran és annyi ideig nyissa ki ahányszor és ameddig ez feltétlenül szükséges. Úgy rendezze el az élelmiszert, hogy a levegő jól tudjon áramolni.
- A hőmérsékletet az élelmiszer mennyiségéhez és típusához állítsa be.
- A különböző élelmiszertípusokat az ábrákon látható módon tárolja.
- Az élelmiszerek könnyen felvesznek vagy kibocsátanak szagokat vagy ízeket. Az élelmiszereket mindig lefedve vagy zárt edényekben/palackokban tárolja.
- ▶ Állítsa a vezérlő termosztátot (18. ábra, 12. oldal) középső helyzetbe.
A töltöttségi és telepítési feltételektől függően eltérő helyzetre lehet szükség. A vezérlő a nagy szimbólum felé forgatása növeli a hűtési teljesítményt; a kisebb szimbólum felé forgatása csökkenti a hűtési teljesítményt.

7.6 Kikapcsolás és tárolás

Ha a mini hűtőt hosszabb ideig nem kívánja használni, a következő módon járjon el:

- ▶ Húzza ki a tápellátás dugaszt az aljzattól.
- ▶ Tisztítsa meg a mini hűtőt (lásd: „Tisztítás és karbantartás” fejezet, 259. oldal).
- ▶ A szagképződés elkerülése érdekében hagyja nyitva az ajtót.

7.7 LED cseréje



FIGYELEM! Károsodás veszélye

A veszélyek elkerülése érdekében csak a gyártó, a szerviz vagy hasonló képesítéssel rendelkező szolgáltató cserélheti ki az izzót.

8 Tisztítás és karbantartás



FIGYELMEZTETÉS! Áramütés miatti életveszély

A hűtőszekrényt minden tisztítás és karbantartás előtt válassza le a hálózatról.



FIGYELEM! Károsodás veszélye

- Ne használjon a tisztításhoz éles tisztítóeszközöket vagy kemény tárgyakat, mert azok a hűtőszekrényt megsérthetik.
- A jég rétegek eltávolítására vagy odafagyott tárgyak leválasztására soha ne használjon kemény vagy hegyes szerszámokat.
- A leolvasztási folyamat gyorsításához ne használjon mechanikus vagy egyéb segédeszközöket.

- A hűtőszekrényt rendszeresen és szennyeződés esetén haladéktalanul tisztítsa meg nedves ruhával.
- Ügyeljen arra, hogy ne csöpöngen víz a tömítésekbe. Ez az elektronikát károsíthatja.
- A hűtőszekrényt tisztítás után ruhával törölje szárazra.
- Ellenőrizze rendszeresen a leolvasztásból származó víz elvezetőjét. Szükség esetén tisztítsa meg a leolvasztásból származó víz elvezetőjét. Ha eldugult a lefolyó, a leolvasztásból származó víz a hűtőszekrény alján gyűlik össze.

9 Hibaelhárítás

Hiba	Lehetséges ok	Megoldás
Nincs hűtés, az abszorber egység hideg	Áramellátás nincs csatlakoztatva	Illessze be a dugaszt az aljzatba.
	Nincs feszültség az aljzatban	Ellenőrizze a háztartási biztosítókat.
	Az elektronika, vagy az érzékelők meghibásodtak	Hivatalos szerviz: Szereljen be új elektronikát vagy érzékelőket.
	Meghibásodott a fűtőpatron	Hivatalos szerviz: Szereljen be új fűtőpatront.
Nincs hűtés, az abszorber egység meleg	Leolvasztási fázis aktív	További lépésekre nincs szükség
	A hűtőkészülék nincs vízszintes helyzetben	Vízszintmérővel igazítsa be a hűtőkészüléket.
	Nemrég kapcsolták be a hűtőkészüléket	5 - 6 óra után ellenőrizze a hűtést ismét.
Gyenge hűtési teljesítmény	Meghibásodott a hűtőegység	Hivatalos szerviz: Cserélje ki a hűtőkészüléket.
	A hűtőkészülék közvetlen napsugárzásnak van kitéve	Távolítsa el a hűtőkészüléket a közvetlen napsugárzástól.
	A hűtőkészüléket ajtaja nem záródik légzáróan	Ellenőrizze a hézagokat (5. ábra, 7. oldal). Hivatalos szerviz: Cserélje ki az ajtó tömítést.
Jégképződés a hűtőkészülék rekeszében	Nemrég töltötték fel a hűtőkészüléket	5 - 6 óra után ellenőrizze a hűtést ismét.
	A hűtőkészüléket ajtaja nem záródik légzáróan	Ellenőrizze a hézagokat (5. ábra, 7. oldal). Hivatalos szerviz: Cserélje ki az ajtó tömítést

Hiba	Lehetséges ok	Megoldás
Nem hűt, villog a belső világítás	Túl van terhelve a hűtőkészülék	▶ Legalább 10 másodpercre válassza le a készüléket az elektromos ellátásról.
	Az ajtó nincs megfelelően bezárva	▶ Csatlakoztassa a készüléket
	A hűtőegység nem kap megfelelő levegőkeringést	Ez visszaállítja ez elektronikát és a készülék normál üzemben újraindul.
	A hűtőkészülék nincs vízszintes helyzetben	Ha a LED ismét villog, akkor súlyos hiba történt: ▶ Forduljon hivatalos szakszervizhez.

10 Szavatosság

A termékre a törvény szerinti szavatossági időszak érvényes. Amennyiben a termék meghibásodott, lépjen kapcsolatba a kiskereskedővel, vagy a gyártó helyi képviselőjével (lásd: dometic.com/dealer).

A javításhoz, illetve a garancia adminisztrációhoz a következő dokumentumokat kell mellékelnie a termék beküldésekor:

- A számla vásárlási dátummal rendelkező másolatát
- A reklamáció okát vagy a hibát tartalmazó leírást


11 Ártalmatlanítás

- ▶ A csomagolóanyagot lehetőleg a megfelelő újrahasznosítható hulladék közé tegye.



Ha a terméket véglegesen kivonja a forgalomból, kérjük, tájékozódjon a legközelebbi hulladékártalmatlanító központnál vagy a szakkereskedőjénél az idevonatkozó ártalmatlanítási előírásokkal kapcsolatosan.

12 Műszaki adatok

	DS200	DS300	DS400	DS600
Bemeneti feszültség:	220 – 240 V			
Névleges teljesítményfelvétel:	65 W			
Teljes térfogat:	23 l	28 l	34 l	45 l
Energiahatékonysági osztály:	D			
Energiafogyasztás:				
– FS:	0,793 kWh/ 24 h	0,801 kWh/ 24 h	0,807 kWh/ 24 h	0,821 kWh/ 24 h
– BI:	0,809 kWh/ 24 h	0,817 kWh/ 24 h	0,823 kWh/ 24 h	0,836 kWh/ 24 h
Klímaosztály:	N		SN	
Megcélzott használati környezeti hőmérséklet:	+10 °C és +32 °C között			
Zajkibocsátás:	0 dB(A)			
Hajtóanyag:	Ciklopentán			
Hűtőközeg:	Ammónia			
Méreték (szélesség x magasság x mélység):	19. ábra, 12. oldal	20. ábra, 13. oldal	21. ábra, 14. oldal	22. ábra, 15. oldal
Súly:	14 kg	15 kg	17 kg	20 kg
Vizsgálat/tanúsítvány:				

Készüléke aktuális EU megfelelőségi nyilatkozatát a dometic.com honlap megfelelő termékoldalán találhatja meg, vagy vegye fel közvetlenül a kapcsolatot a gyártóval (lásd dometic.com/dealer).

További termékinformációkat az ábrákon az energiacímkén található QR kód beolvasásával, vagy az eprel.ec.europa.eu honlapon kaphat.

Mobile living made easy.



dometic.com

**YOUR LOCAL
DEALER**

dometic.com/dealer

**YOUR LOCAL
SUPPORT**

dometic.com/contact

**YOUR LOCAL
SALES OFFICE**

dometic.com/sales-offices

A complete list of Dometic companies, which comprise the Dometic Group, can be found in the public filings of:
DOMETIC GROUP AB Hemvärnsgatan 15 SE-17154 Solna Sweden