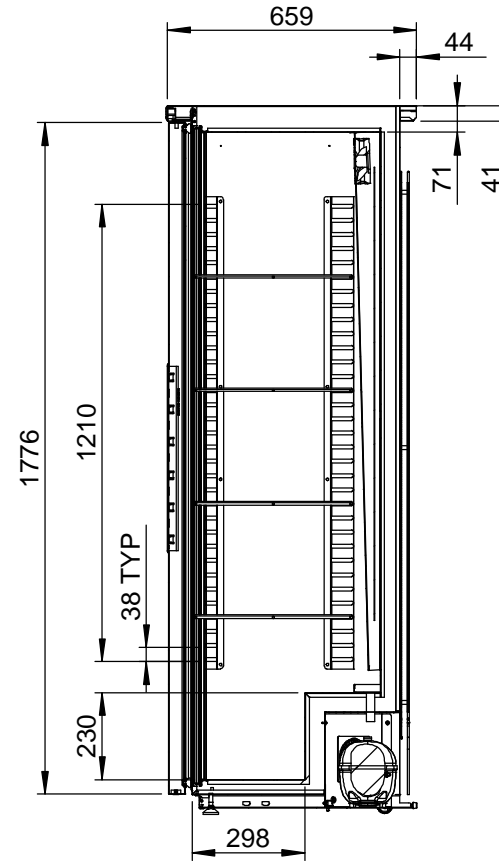
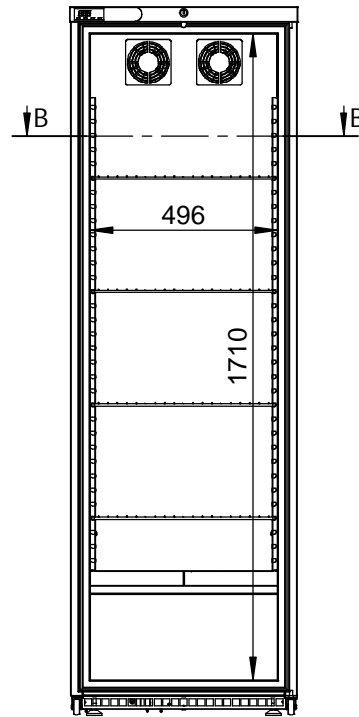
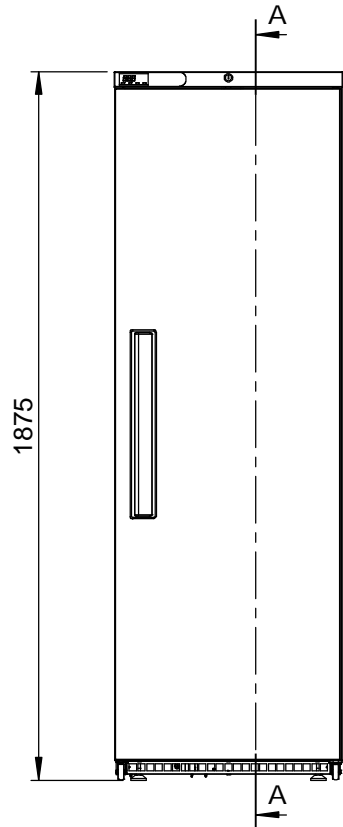
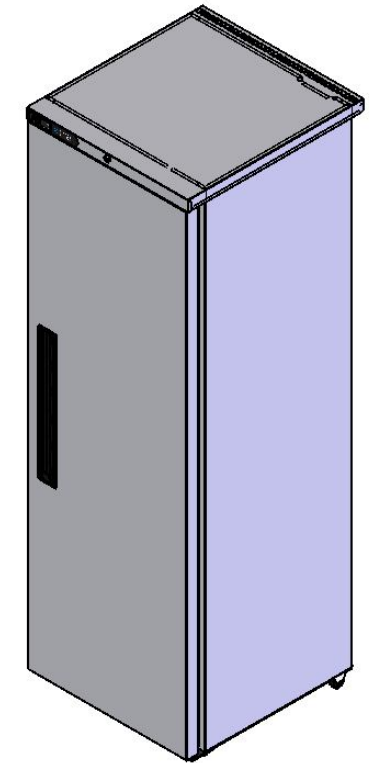


SECTION B-B



SECTION A-A



FRONT VIEW WITH DOOR

FRONT VIEW WITHOUT DOOR

XR 415 H

AC	DESCRIPTION	SN	09/12/2014
REV.		BY	DATE
Tolerance : ±0.5 (UOS)		Drawing No: - 01-286043-00-AC	
Scale : 1:20		Date: 26/11/2014	Drawn : SN
Blank Size:		Approved:	
Title: XR 415 H & L			
Title: GENERAL ASSEMBLY		Sheet 1 of 4	



Part No	Description	MISC
01		

Complete Part Number = 01-286043-XX XX (Where XX = two digit number as above)

Foster Refrigerator (a division of ITW Ltd) owns the intellectual property contained within this document. Divulging this information to a third party without the express permission of Foster Refrigerator could result in legal proceedings